

Location: 185th Street (CSAH 60) at Kenrick Avenue  
 Count Date: 10/25/2022  
 Counted By: CountCloud



**TURNING MOVEMENT COUNT DATA**

**All Vehicles**

Start Time	Kenrick Ave				CSAH 60				Kenrick Ave				CSAH 60				Int. Total
	Southbound				Westbound				Northbound				Eastbound				
	Left	Thru	Right	Peds	Left	Thru	Right	Peds	Left	Thru	Right	Peds	Left	Thru	Right	Peds	
6:00	0	0	1	0	4	62	3	0	24	1	11	0	0	34	7	0	147
6:15	1	1	9	0	4	82	3	0	28	3	21	0	6	52	17	0	227
6:30	1	0	12	0	6	110	6	0	49	7	23	0	9	78	7	0	308
6:45	5	2	15	0	8	88	5	0	46	7	35	0	12	80	25	0	328
7:00	6	3	11	0	2	131	14	0	41	5	31	0	9	93	12	0	358
7:15	12	2	26	0	12	132	13	0	48	4	35	0	16	125	10	0	435
7:30	8	2	18	0	9	142	4	0	45	10	42	0	18	146	22	0	466
7:45	12	1	20	0	8	137	23	0	51	13	54	0	30	145	22	0	516
8:00	11	5	16	0	10	140	19	0	46	16	23	0	15	107	20	0	428
8:15	9	4	19	0	7	95	16	2	27	11	22	0	16	82	17	0	325
8:30	12	4	18	0	10	91	9	0	35	12	29	0	12	64	16	0	312
8:45	14	3	20	1	14	92	18	0	33	12	19	0	19	72	11	0	327
9:00	13	4	17	1	16	69	15	0	30	15	26	0	17	77	17	0	316
9:15	13	5	35	0	8	80	28	0	23	16	31	0	21	68	11	0	339
9:30	13	9	26	0	13	90	14	0	26	15	18	0	25	60	12	0	321
9:45	28	6	27	0	9	93	16	0	17	18	27	0	33	73	11	0	358
10:00	13	6	25	1	8	78	11	1	25	14	20	0	15	66	20	0	301
10:15	14	14	29	0	9	56	19	0	30	14	19	0	19	52	17	0	292
10:30	15	2	21	0	13	96	20	0	22	17	24	0	24	65	9	0	328
10:45	29	4	38	0	15	82	28	0	12	15	20	0	33	66	11	0	353
11:00	24	4	38	1	23	81	22	0	24	14	24	0	29	56	6	0	345
11:15	22	8	36	0	14	70	34	0	31	24	21	0	27	66	15	0	368
11:30	21	17	50	0	15	81	42	0	34	26	34	0	34	79	18	0	451
11:45	29	12	53	0	23	74	30	0	29	23	26	0	33	91	12	0	435
12:00	33	13	44	0	23	82	34	0	18	24	30	0	37	68	16	0	422
12:15	32	11	45	0	14	80	26	0	26	27	23	0	39	75	20	0	418
12:30	40	11	53	0	23	93	31	0	24	21	28	0	26	83	17	0	450
12:45	38	20	49	0	25	85	18	0	25	20	22	0	35	82	16	0	435
13:00	33	19	52	0	12	75	22	0	35	19	22	0	22	74	18	0	403
13:15	21	7	25	0	15	87	25	0	28	25	26	0	19	72	24	0	374
13:30	24	12	56	0	13	76	11	0	19	21	26	0	37	84	14	0	393
13:45	15	10	39	0	15	84	23	0	32	21	17	0	43	93	19	0	411
14:00	33	11	54	0	14	89	33	0	30	22	26	0	39	87	20	0	458
14:15	30	14	38	0	10	96	25	0	34	18	21	0	42	98	21	0	447
14:30	22	16	53	0	13	132	31	0	35	10	30	0	46	107	13	0	508
14:45	30	12	49	0	27	96	37	0	40	28	29	0	32	101	20	0	501
15:00	30	6	50	0	25	123	28	1	27	24	29	0	45	116	31	0	534
15:15	40	12	62	0	29	125	35	0	28	18	26	0	43	148	31	0	597
15:30	57	9	44	1	44	116	33	0	44	25	33	0	47	119	22	0	593
15:45	41	15	63	0	21	127	39	0	41	25	43	0	52	143	33	0	643
16:00	47	14	57	0	27	147	36	0	49	31	44	0	49	124	21	0	646
16:15	36	13	62	0	25	139	48	0	45	26	38	0	42	194	44	0	712
16:30	40	9	54	1	22	135	44	0	45	20	46	0	55	168	54	0	692
16:45	56	18	51	0	21	124	48	0	53	47	39	0	54	162	41	0	714
17:00	53	12	64	0	25	127	48	0	58	28	49	0	44	181	43	0	732
17:15	60	19	55	0	25	167	38	0	52	21	50	0	60	183	33	0	763
17:30	47	12	52	0	23	136	35	0	41	19	40	0	59	166	35	0	665
17:45	52	13	60	0	20	108	35	1	40	35	44	0	47	132	35	0	621
18:00	48	13	53	0	13	122	33	1	37	25	36	0	47	137	25	0	589
18:15	46	14	59	0	25	98	28	0	41	21	29	0	42	136	12	0	551
18:30	39	15	39	0	14	99	19	0	40	23	32	0	31	77	27	0	455
18:45	40	19	49	0	25	65	37	0	35	17	39	0	28	75	20	0	449
Total	1408	487	2011	6	848	5285	1312	6	1798	973	1552	0	1634	5182	1070	0	23560
Cars+	1394	485	1980	6	817	5156	1299	6	1680	957	1498	0	1621	5046	984	0	22917
Trucks	14	2	31	0	31	129	13	0	118	16	54	0	13	136	86	0	643
% Trucks	1.0	0.4	1.5	0.0	3.7	2.4	1.0	0.0	6.6	1.6	3.5	0.0	0.8	2.6	8.0	0.0	
	1.2				2.3				4.3				3.0				2.7

Location: 185th Street (CSAH 60) at Kenrick Avenue  
 Count Date: 10/25/2022  
 Counted By: CountCloud



### TURNING MOVEMENT COUNT DATA

#### Trucks

Start Time	Kenrick Ave				CSAH 60				Kenrick Ave				CSAH 60				Int. Total
	Southbound				Westbound				Northbound				Eastbound				
	Left	Thru	Right	Bikes	Left	Thru	Right	Bikes	Left	Thru	Right	Bikes	Left	Thru	Right	Bikes	
6:00	0	0	0	0	0	2	1	0	2	0	0	0	0	0	1	0	6
6:15	0	0	1	0	0	0	0	0	5	0	1	0	0	1	1	0	9
6:30	0	0	0	0	0	2	1	0	18	1	7	0	0	0	0	0	29
6:45	1	0	0	0	0	1	0	0	4	0	3	0	0	1	1	0	11
7:00	0	0	1	0	0	4	0	0	2	0	1	0	1	9	1	0	19
7:15	1	0	0	0	0	2	0	0	6	0	2	0	0	5	0	0	16
7:30	1	0	0	0	0	4	0	0	2	0	1	0	2	12	1	0	23
7:45	0	0	2	0	0	1	0	0	5	2	2	0	0	4	0	0	16
8:00	0	0	2	0	0	10	0	0	1	0	3	0	1	6	1	0	24
8:15	2	0	1	0	0	7	0	0	3	0	0	0	0	7	5	0	25
8:30	0	0	1	0	0	1	0	0	2	0	0	0	1	4	0	0	9
8:45	2	1	0	0	1	2	1	0	2	2	0	0	0	4	1	0	16
9:00	0	0	0	0	3	1	0	0	4	0	1	0	1	3	0	0	13
9:15	0	0	1	0	2	5	0	0	2	0	3	0	0	2	3	0	18
9:30	0	0	2	0	1	2	0	0	2	1	0	0	2	4	3	0	17
9:45	1	0	0	0	1	6	0	0	1	0	2	0	0	1	3	0	15
10:00	0	1	2	0	0	3	2	0	3	0	3	0	0	3	2	0	19
10:15	0	0	0	0	3	0	0	0	4	0	3	0	0	2	2	0	14
10:30	1	0	0	0	0	4	2	0	4	2	1	0	1	2	1	0	18
10:45	0	0	2	0	1	2	1	0	0	0	0	0	0	1	1	0	8
11:00	0	0	3	0	1	6	0	0	2	0	2	0	0	2	2	0	18
11:15	0	0	0	0	0	1	0	0	6	0	1	0	1	1	0	0	10
11:30	1	0	2	0	1	5	3	0	3	0	2	0	0	0	2	0	19
11:45	0	0	1	0	0	6	0	0	1	1	0	0	0	2	1	0	12
12:00	0	0	0	0	0	4	0	0	2	0	0	0	0	3	0	0	9
12:15	0	0	3	0	0	1	0	0	0	2	0	0	0	3	2	0	11
12:30	1	0	0	0	1	1	0	0	2	1	2	0	0	1	0	0	9
12:45	0	0	0	0	1	3	0	0	1	0	1	0	0	3	1	0	10
13:00	0	0	0	0	0	1	0	0	3	0	0	0	0	0	3	0	7
13:15	0	0	0	0	1	3	0	0	3	0	2	0	0	1	2	0	12
13:30	0	0	0	0	0	1	0	0	4	1	0	0	0	4	3	0	13
13:45	0	0	1	0	0	1	0	0	0	0	1	0	0	1	0	0	4
14:00	0	0	0	0	0	3	0	0	1	0	1	0	0	2	2	0	9
14:15	0	0	1	0	1	2	0	0	1	0	2	0	0	4	0	0	11
14:30	0	0	1	0	0	4	1	0	2	0	1	0	0	8	0	0	17
14:45	0	0	0	0	0	0	0	0	3	0	0	0	0	4	0	0	7
15:00	0	0	1	0	0	4	0	0	1	0	1	0	1	6	4	0	18
15:15	0	0	0	0	1	2	0	0	2	0	0	0	0	3	0	0	8
15:30	1	0	0	0	2	1	0	0	2	0	0	0	0	1	2	0	9
15:45	0	0	0	0	2	3	0	0	1	0	2	0	0	1	5	0	14
16:00	1	0	0	0	1	6	0	0	0	1	0	0	0	6	1	0	16
16:15	0	0	0	0	3	2	1	0	0	0	0	0	0	0	6	0	12
16:30	0	0	0	0	1	4	0	0	0	0	0	0	2	3	8	0	18
16:45	0	0	2	0	0	1	0	0	1	0	0	0	0	3	3	0	10
17:00	1	0	0	0	0	2	0	0	0	0	1	0	0	2	9	0	15
17:15	0	0	0	0	1	3	0	0	1	1	0	0	0	0	0	0	6
17:30	0	0	0	0	2	0	0	0	1	0	1	0	0	0	1	0	5
17:45	0	0	0	0	0	0	0	0	0	0	0	0	0	0	0	0	0
18:00	0	0	0	0	0	0	0	0	0	0	0	0	0	0	1	0	1
18:15	0	0	0	0	0	0	0	0	2	0	0	0	0	0	0	0	2
18:30	0	0	0	0	0	0	0	0	0	0	1	0	0	1	1	0	3
18:45	0	0	1	0	0	0	0	0	1	1	0	0	0	0	0	0	3
Total	14	2	31	0	31	129	13	0	118	16	54	0	13	136	86	0	643

Location: 185th Street (CSAH 60) at Kenrick Avenue  
 Count Date: 10/25/2022  
 Counted By: CountCloud



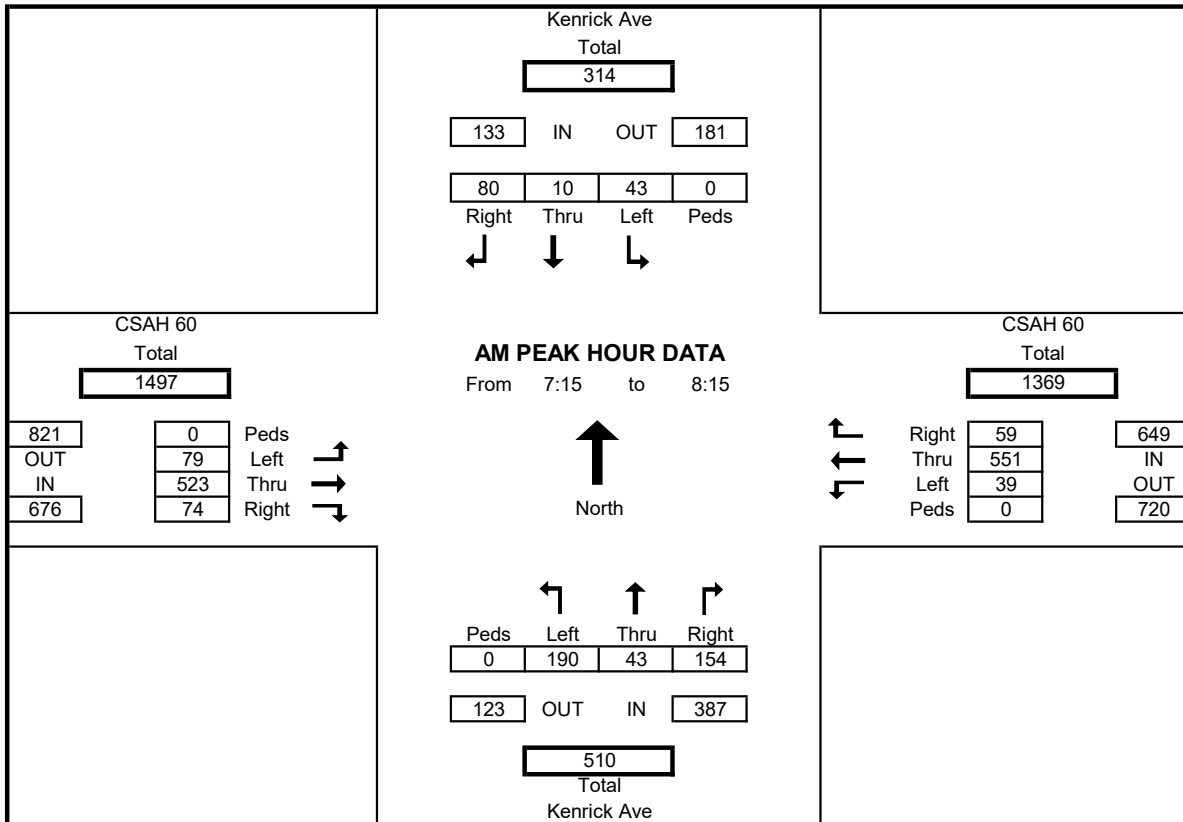
### AM PEAK HOUR TURNING MOVEMENT DATA

All Vehicles

Start Time	Kenrick Ave				CSAH 60				Kenrick Ave				CSAH 60				Int. Total
	Southbound				Westbound				Northbound				Eastbound				
	Left	Thru	Right	Peds	Left	Thru	Right	Peds	Left	Thru	Right	Peds	Left	Thru	Right	Peds	
7:15	12	2	26	0	12	132	13	0	48	4	35	0	16	125	10	0	435
7:30	8	2	18	0	9	142	4	0	45	10	42	0	18	146	22	0	466
7:45	12	1	20	0	8	137	23	0	51	13	54	0	30	145	22	0	516
8:00	11	5	16	0	10	140	19	0	46	16	23	0	15	107	20	0	428
Total	43	10	80	0	39	551	59	0	190	43	154	0	79	523	74	0	1845
% App. Total	32.3	7.5	60.2		6.0	84.9	9.1		49.1	11.1	39.8		11.7	77.4	10.9		
PHF	0.896	0.500	0.769	0.000	0.813	0.970	0.641	0.000	0.931	0.672	0.713	0.000	0.658	0.896	0.841	0.000	0.894

% Trucks	Kenrick Ave				CSAH 60				Kenrick Ave				CSAH 60				4.3
	Left	Thru	Right	Peds	Left	Thru	Right	Peds	Left	Thru	Right	Peds	Left	Thru	Right	Peds	
	4.7	0.0	5.0	0.0	0.0	3.1	0.0	0.0	7.4	4.7	5.2	0.0	3.8	5.2	2.7	0.0	
	4.5				2.6				6.2				4.7				



Location: 185th Street (CSAH 60) at Kenrick Avenue  
 Count Date: 10/25/2022  
 Counted By: CountCloud



### PM PEAK HOUR TURNING MOVEMENT DATA

All Vehicles

Start Time	Kenrick Ave				CSAH 60				Kenrick Ave				CSAH 60				Int. Total
	Southbound				Westbound				Northbound				Eastbound				
	Left	Thru	Right	Peds	Left	Thru	Right	Peds	Left	Thru	Right	Peds	Left	Thru	Right	Peds	
16:30	40	9	54	1	22	135	44	0	45	20	46	0	55	168	54	0	692
16:45	56	18	51	0	21	124	48	0	53	47	39	0	54	162	41	0	714
17:00	53	12	64	0	25	127	48	0	58	28	49	0	44	181	43	0	732
17:15	60	19	55	0	25	167	38	0	52	21	50	0	60	183	33	0	763
<b>Total</b>	<b>209</b>	<b>58</b>	<b>224</b>	<b>1</b>	<b>93</b>	<b>553</b>	<b>178</b>	<b>0</b>	<b>208</b>	<b>116</b>	<b>184</b>	<b>0</b>	<b>213</b>	<b>694</b>	<b>171</b>	<b>0</b>	<b>2901</b>
% App. Total	42.6	11.8	45.6		11.3	67.1	21.6		40.9	22.8	36.2		19.8	64.4	15.9		
PHF	0.871	0.763	0.875	0.250	0.930	0.828	0.927	0.000	0.897	0.617	0.920	0.000	0.888	0.948	0.792	0.000	0.951

% Trucks	Kenrick Ave Southbound	CSAH 60 Westbound	Kenrick Ave Northbound	CSAH 60 Eastbound	Int. Total
	0.5	2.2	1.0	0.9	1.7
	0.0	1.8	0.9	1.2	
	0.9	0.0	0.5	11.7	
	0.0	0.0	0.0	0.0	
	0.6	1.5	0.8	2.8	1.7

