

Location: Crystal Lake Road at I-35 Northbound Off Ramp/Grand Avenue  
 Count Date: 10/18/2022  
 Counted By: CountCloud



**TURNING MOVEMENT COUNT DATA**

All Vehicles

Start Time	Grand Ave				Crystal Lake Rd				I-35 NB Off Ramp				Crystal Lake Rd				Int. Total
	Southbound				Westbound				Northbound				Eastbound				
	Left	Thru	Right	Peds	Left	Thru	Right	Peds	Left	Thru	Right	Peds	Left	Thru	Right	Peds	
6:00	0	0	3	0	0	5	2	0	16	0	0	0	0	3	0	0	29
6:15	0	0	2	0	0	11	0	0	15	0	2	0	1	2	0	0	33
6:30	0	0	5	0	0	14	2	0	21	0	4	0	3	6	0	0	55
6:45	1	0	4	0	0	26	0	0	25	4	3	0	1	6	0	0	70
7:00	0	0	10	0	0	32	4	0	23	1	1	0	4	4	0	0	79
7:15	0	0	3	0	0	27	2	0	28	1	4	0	3	14	0	0	82
7:30	2	0	7	0	0	19	0	0	15	2	1	0	6	7	0	0	59
7:45	0	0	7	0	0	29	4	0	31	5	1	0	2	9	0	0	88
8:00	2	0	8	0	0	20	2	0	36	10	5	0	3	5	0	0	91
8:15	0	0	4	0	0	18	2	0	42	2	2	0	1	11	0	0	82
8:30	0	0	3	0	0	30	2	0	30	4	1	0	0	8	0	0	78
8:45	1	0	5	0	0	23	1	0	31	6	5	0	4	7	0	0	83
9:00	2	0	7	0	0	22	3	0	38	4	6	0	1	9	0	0	92
9:15	1	0	10	0	0	23	6	0	37	10	3	0	4	9	0	0	103
9:30	0	0	4	0	0	24	2	0	41	2	4	0	5	7	0	0	89
9:45	0	0	4	0	0	25	1	0	44	7	1	0	1	7	0	0	90
10:00	2	0	4	0	0	12	1	0	43	1	6	0	7	7	0	0	83
10:15	0	0	3	0	0	15	3	0	48	4	0	0	4	12	0	0	89
10:30	3	0	7	0	0	19	1	0	47	0	2	0	3	15	0	0	97
10:45	0	0	3	0	0	24	1	0	68	7	3	0	1	14	0	0	121
11:00	1	0	1	0	0	17	2	0	66	5	3	0	5	7	0	0	107
11:15	4	0	3	0	0	18	3	0	64	2	3	0	4	18	0	0	119
11:30	2	0	7	0	0	22	3	0	62	6	4	0	1	8	0	0	115
11:45	2	0	8	0	0	26	2	0	63	6	6	0	2	13	0	0	128
12:00	2	0	13	0	0	20	3	0	47	3	3	0	6	11	0	0	108
12:15	1	0	9	0	0	20	2	0	68	7	6	0	2	13	0	0	128
12:30	1	0	3	0	0	36	2	0	49	5	2	0	5	15	0	0	118
12:45	1	0	6	0	0	24	3	0	71	6	1	0	1	17	0	0	130
13:00	1	0	3	1	0	24	4	0	47	3	5	0	1	16	0	0	104
13:15	2	0	3	0	0	26	0	0	35	4	5	0	2	14	0	0	91
13:30	4	0	8	0	0	33	0	0	56	2	4	0	4	11	0	0	122
13:45	4	0	6	0	0	17	4	0	58	1	0	0	4	14	0	0	108
14:00	2	0	2	1	0	32	2	0	53	4	5	0	2	12	0	0	114
14:15	1	0	4	0	0	33	1	0	46	6	5	0	1	16	0	0	113
14:30	2	0	9	0	0	18	1	0	44	7	2	0	2	15	0	0	100
14:45	3	0	8	0	0	21	1	0	41	7	4	0	6	18	0	0	109
15:00	0	0	11	0	0	33	1	0	49	6	4	0	6	18	0	0	128
15:15	2	0	16	0	0	17	4	0	54	5	10	0	3	18	0	0	129
15:30	4	0	7	0	0	21	2	0	40	4	4	0	5	18	0	0	105
15:45	1	0	10	0	0	36	1	0	48	5	8	0	2	18	0	0	129
16:00	4	0	8	0	0	25	4	0	43	8	7	0	4	16	0	0	119
16:15	4	0	16	0	0	35	3	0	38	3	5	0	3	23	0	0	130
16:30	1	0	10	1	0	35	2	0	72	7	6	0	2	32	0	0	167
16:45	2	0	7	1	0	41	2	0	49	7	8	0	6	27	0	0	149
17:00	5	0	6	0	0	37	2	0	53	5	4	0	5	28	0	0	145
17:15	1	0	4	0	0	33	2	0	65	9	10	0	7	31	0	0	162
17:30	6	0	7	0	0	40	3	0	63	7	5	0	5	22	0	0	158
17:45	4	0	9	1	0	34	3	0	49	1	8	0	12	28	0	0	148
18:00	2	0	15	1	0	37	1	0	57	5	4	0	6	27	0	0	154
18:15	3	0	5	1	0	28	1	0	44	4	6	0	7	25	0	0	123
18:30	6	0	11	0	0	24	2	0	42	3	7	0	0	25	0	0	120
18:45	1	0	4	0	0	19	3	0	37	4	6	0	1	12	0	0	87
Total	93	0	342	7	0	1300	108	0	2352	227	214	0	176	748	0	0	5560
Cars+	90	0	339	4	0	1287	103	0	2324	224	211	0	174	745	0	0	5497
Trucks	3	0	3	3	0	13	5	0	28	3	3	0	2	3	0	0	63
% Trucks	3.2	0.0	0.9	42.9	0.0	1.0	4.6	0.0	1.2	1.3	1.4	0.0	1.1	0.4	0.0	0.0	1.1
	1.4				1.3				1.2				0.5				

Location: Crystal Lake Road at I-35 Northbound Off Ramp/Grand Avenue  
 Count Date: 10/18/2022  
 Counted By: CountCloud



**TURNING MOVEMENT COUNT DATA**

**Trucks**

Start Time	Grand Ave				Crystal Lake Rd				I-35 NB Off Ramp				Crystal Lake Rd				Int. Total	
	Southbound				Westbound				Northbound				Eastbound					
	Left	Thru	Right	Bikes	Left	Thru	Right	Bikes	Left	Thru	Right	Bikes	Left	Thru	Right	Bikes		
6:00	0	0	0	0	0	0	0	0	0	0	0	0	0	0	0	0	0	0
6:15	0	0	0	0	0	1	0	0	0	0	0	0	0	0	0	0	0	1
6:30	0	0	0	0	0	0	0	0	0	0	0	0	0	0	0	0	0	0
6:45	1	0	0	0	0	0	0	0	0	1	0	0	0	0	0	0	0	2
7:00	0	0	0	0	0	0	0	0	0	0	0	0	0	0	0	0	0	0
7:15	0	0	1	0	0	2	0	0	0	0	0	0	0	0	0	0	0	3
7:30	1	0	0	0	0	0	0	0	0	0	0	0	0	0	0	0	0	1
7:45	0	0	0	0	0	0	0	0	0	1	0	0	0	0	1	0	0	2
8:00	0	0	0	0	0	0	0	0	0	0	1	0	0	0	0	0	0	1
8:15	0	0	0	0	0	0	0	0	0	0	0	0	0	0	0	0	0	0
8:30	0	0	0	0	0	1	0	0	0	0	0	0	0	0	0	0	0	1
8:45	0	0	0	0	0	0	0	0	0	0	0	0	0	1	0	0	0	1
9:00	0	0	1	0	0	1	1	0	0	2	0	0	0	0	0	0	0	5
9:15	0	0	0	0	0	0	0	0	0	0	0	0	0	0	0	0	0	0
9:30	0	0	0	0	0	0	0	0	0	0	0	0	0	0	0	0	0	0
9:45	0	0	0	0	0	0	0	0	0	1	0	0	0	0	0	0	0	1
10:00	0	0	0	0	0	0	0	0	0	1	0	0	0	0	0	0	0	1
10:15	0	0	0	0	0	0	0	0	0	1	0	0	0	0	0	0	0	1
10:30	0	0	0	0	0	1	0	0	0	2	0	0	0	0	0	0	0	3
10:45	0	0	0	0	0	0	0	0	0	2	0	0	0	0	0	0	0	2
11:00	0	0	0	0	0	1	0	0	0	1	0	0	0	0	0	0	0	2
11:15	1	0	0	0	0	1	0	0	0	0	0	0	0	1	0	0	0	3
11:30	0	0	0	0	0	1	0	0	0	1	1	0	0	0	0	0	0	3
11:45	0	0	0	0	0	0	0	0	0	0	0	0	0	0	0	0	0	0
12:00	0	0	0	0	0	0	0	0	0	1	0	0	0	0	0	0	0	1
12:15	0	0	0	0	0	0	0	0	0	2	0	0	0	0	0	0	0	2
12:30	0	0	0	0	0	0	0	0	0	1	0	0	0	0	0	0	0	1
12:45	0	0	0	0	0	0	1	0	0	1	0	0	0	0	0	0	0	2
13:00	0	0	1	0	0	0	1	0	0	1	0	0	0	0	0	0	0	3
13:15	0	0	0	0	0	0	0	0	0	0	0	1	0	0	0	0	0	1
13:30	0	0	0	0	0	1	0	0	0	1	0	2	0	0	0	0	0	4
13:45	0	0	0	0	0	0	0	0	0	0	0	0	0	0	0	0	0	0
14:00	0	0	0	0	0	0	0	0	0	1	0	0	0	0	0	0	0	1
14:15	0	0	0	0	0	0	0	0	0	2	0	0	0	0	0	0	0	2
14:30	0	0	0	0	0	1	0	0	0	0	0	0	0	0	1	0	0	2
14:45	0	0	0	0	0	0	1	0	0	1	0	0	0	0	0	0	0	2
15:00	0	0	0	0	0	0	0	0	0	0	0	0	0	0	0	0	0	0
15:15	0	0	0	0	0	0	0	0	0	1	0	0	0	0	0	0	0	1
15:30	0	0	0	0	0	1	0	0	0	0	0	0	0	0	0	0	0	1
15:45	0	0	0	0	0	0	0	0	0	0	0	0	0	0	0	0	0	0
16:00	0	0	0	0	0	0	1	0	0	0	0	0	0	0	0	0	0	1
16:15	0	0	0	0	0	1	0	0	0	0	0	0	0	1	0	0	0	2
16:30	0	0	0	1	0	0	0	0	0	0	0	0	0	0	0	0	0	0
16:45	0	0	0	1	0	0	0	0	0	0	1	0	0	0	0	0	0	1
17:00	0	0	0	0	0	0	0	0	0	1	0	0	0	0	0	0	0	1
17:15	0	0	0	0	0	0	0	0	0	0	0	0	0	0	0	0	0	0
17:30	0	0	0	0	0	0	0	0	0	1	0	0	0	0	0	0	0	1
17:45	0	0	0	0	0	0	0	0	0	0	0	0	0	0	0	0	0	0
18:00	0	0	0	0	0	0	0	0	0	0	0	0	0	0	0	0	0	0
18:15	0	0	0	1	0	0	0	0	0	0	0	0	0	0	0	0	0	0
18:30	0	0	0	0	0	0	0	0	0	0	0	0	0	0	0	0	0	0
18:45	0	0	0	0	0	0	0	0	0	1	0	0	0	0	0	0	0	1
Total	3	0	3	3	0	13	5	0	0	28	3	3	0	2	3	0	0	63

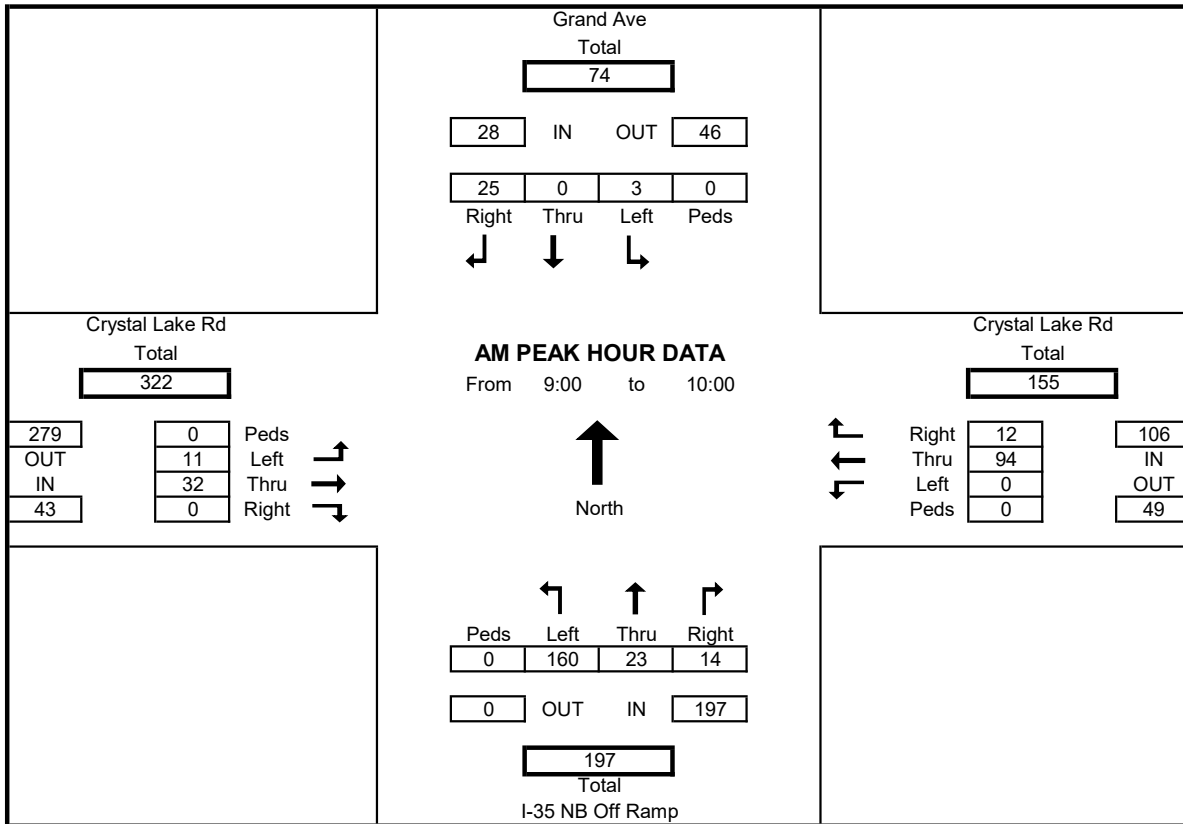
Location: Crystal Lake Road at I-35 Northbound Off Ramp/Grand Avenue  
 Count Date: 10/18/2022  
 Counted By: CountCloud



### AM PEAK HOUR TURNING MOVEMENT DATA

All Vehicles

Start Time	Grand Ave				Crystal Lake Rd				I-35 NB Off Ramp				Crystal Lake Rd				Int. Total
	Southbound				Westbound				Northbound				Eastbound				
	Left	Thru	Right	Peds	Left	Thru	Right	Peds	Left	Thru	Right	Peds	Left	Thru	Right	Peds	
9:00	2	0	7	0	0	22	3	0	38	4	6	0	1	9	0	0	92
9:15	1	0	10	0	0	23	6	0	37	10	3	0	4	9	0	0	103
9:30	0	0	4	0	0	24	2	0	41	2	4	0	5	7	0	0	89
9:45	0	0	4	0	0	25	1	0	44	7	1	0	1	7	0	0	90
Total	3	0	25	0	0	94	12	0	160	23	14	0	11	32	0	0	374
% App. Total	10.7	0.0	89.3		0.0	88.7	11.3		81.2	11.7	7.1		25.6	74.4	0.0		
PHF	0.375	0.000	0.625	0.000	0.000	0.940	0.500	0.000	0.909	0.575	0.583	0.000	0.550	0.889	0.000	0.000	0.908
% Trucks	0.0	0.0	4.0	0.0	0.0	1.1	8.3	0.0	1.9	0.0	0.0	0.0	0.0	0.0	0.0	0.0	1.6
	3.6				1.9				1.5				0.0				



Location: Crystal Lake Road at I-35 Northbound Off Ramp/Grand Avenue  
 Count Date: 10/18/2022  
 Counted By: CountCloud



### PM PEAK HOUR TURNING MOVEMENT DATA

All Vehicles

Start Time	Grand Ave				Crystal Lake Rd				I-35 NB Off Ramp				Crystal Lake Rd				Int. Total
	Southbound				Westbound				Northbound				Eastbound				
	Left	Thru	Right	Peds	Left	Thru	Right	Peds	Left	Thru	Right	Peds	Left	Thru	Right	Peds	
16:30	1	0	10	1	0	35	2	0	72	7	6	0	2	32	0	0	167
16:45	2	0	7	1	0	41	2	0	49	7	8	0	6	27	0	0	149
17:00	5	0	6	0	0	37	2	0	53	5	4	0	5	28	0	0	145
17:15	1	0	4	0	0	33	2	0	65	9	10	0	7	31	0	0	162
Total	9	0	27	2	0	146	8	0	239	28	28	0	20	118	0	0	623
% App. Total	25.0	0.0	75.0		0.0	94.8	5.2		81.0	9.5	9.5		14.5	85.5	0.0		
PHF	0.450	0.000	0.675	0.500	0.000	0.890	1.000	0.000	0.830	0.778	0.700	0.000	0.714	0.922	0.000	0.000	0.933

% Trucks	0.0	0.0	0.0	100.0	0.0	0.0	0.0	0.0	0.4	3.6	0.0	0.0	0.0	0.0	0.0	0.0	0.0
		0.0				0.0				0.7				0.0			

