



701 Xenia Ave S, Suite 300
 Minneapolis, MN 55416

TH 5 & 35E E Ramps
 7-9am & 4-6pm
 vehicles, heavy trucks, bikes, peds
 day 1

File Name : site 17-TH 5 & 35E E Ramps-day 1
 Site Code : 17
 Start Date : 3/22/2022
 Page No : 1

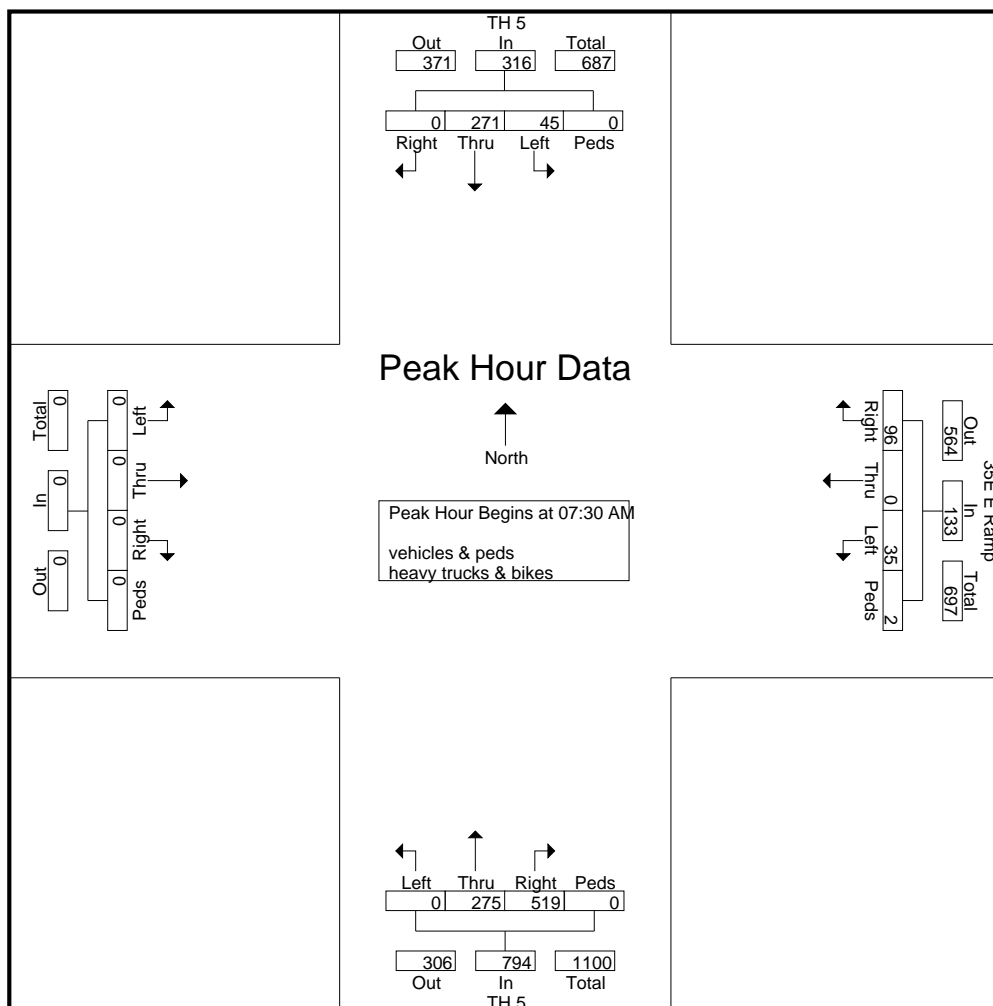
Groups Printed- vehicles & peds - heavy trucks & bikes

Start Time	TH 5 From North					35E E Ramp From East					TH 5 From South					From West					Int. Total
	Right	Thru	Left	Peds	App. Total	Right	Thru	Left	Peds	App. Total	Right	Thru	Left	Peds	App. Total	Right	Thru	Left	Peds	App. Total	
07:00 AM	0	52	14	0	66	12	0	6	0	18	79	45	0	0	124	0	0	0	0	0	208
07:15 AM	0	45	17	0	62	17	0	10	0	27	102	49	0	0	151	0	0	0	0	0	240
07:30 AM	0	63	9	0	72	28	0	6	0	34	154	60	0	0	214	0	0	0	0	0	320
07:45 AM	0	74	9	0	83	32	0	6	1	39	107	78	0	0	185	0	0	0	0	0	307
Total	0	234	49	0	283	89	0	28	1	118	442	232	0	0	674	0	0	0	0	0	1075
08:00 AM	0	61	13	0	74	16	0	9	1	26	111	66	0	0	177	0	0	0	0	0	277
08:15 AM	0	73	14	0	87	20	0	14	0	34	147	71	0	0	218	0	0	0	0	0	339
08:30 AM	0	55	5	0	60	19	0	10	0	29	119	71	0	0	190	0	0	0	0	0	279
08:45 AM	0	58	14	0	72	28	0	6	0	34	99	85	0	0	184	0	0	0	0	0	290
Total	0	247	46	0	293	83	0	39	1	123	476	293	0	0	769	0	0	0	0	0	1185
04:00 PM	0	101	15	0	116	25	0	12	0	37	144	92	0	0	236	0	0	0	0	0	389
04:15 PM	0	104	17	0	121	32	0	9	0	41	148	89	0	0	237	0	0	0	0	0	399
04:30 PM	0	116	20	0	136	26	0	11	0	37	146	91	0	0	237	0	0	0	0	0	410
04:45 PM	0	105	15	0	120	34	0	9	0	43	137	104	0	0	241	0	0	0	0	0	404
Total	0	426	67	0	493	117	0	41	0	158	575	376	0	0	951	0	0	0	0	0	1602
05:00 PM	0	89	15	0	104	27	0	5	0	32	140	107	0	0	247	0	0	0	0	0	383
05:15 PM	0	104	14	0	118	33	0	8	0	41	135	82	0	0	217	0	0	0	0	0	376
05:30 PM	0	89	18	0	107	32	0	9	0	41	139	109	0	0	248	0	0	0	0	0	396
05:45 PM	0	85	6	0	91	25	0	2	0	27	145	94	0	0	239	0	0	0	0	0	357
Total	0	367	53	0	420	117	0	24	0	141	559	392	0	0	951	0	0	0	0	0	1512
Grand Total	0	1274	215	0	1489	406	0	132	2	540	2052	1293	0	0	3345	0	0	0	0	0	5374
Apprch %	0	85.6	14.4	0		75.2	0	24.4	0.4		61.3	38.7	0	0		0	0	0	0		
Total %	0	23.7	4	0	27.7	7.6	0	2.5	0	10	38.2	24.1	0	0	62.2	0	0	0	0	0	
vehicles & peds	0	1266	215	0	1481	399	0	120	2	521	2052	1290	0	0	3342	0	0	0	0	0	5344
% vehicles & peds	0	99.4	100	0	99.5	98.3	0	90.9	100	96.5	100	99.8	0	0	99.9	0	0	0	0	0	99.4
heavy trucks & bikes	0	8	0	0	8	7	0	12	0	19	0	3	0	0	3	0	0	0	0	0	30
% heavy trucks & bikes	0	0.6	0	0	0.5	1.7	0	9.1	0	3.5	0	0.2	0	0	0.1	0	0	0	0	0	0.6

TH 5 & 35E E Ramps
 7-9am & 4-6pm
 vehicles, heavy trucks, bikes, peds
 day 1

File Name : site 17-TH 5 & 35E E Ramps-day 1
 Site Code : 17
 Start Date : 3/22/2022
 Page No : 2

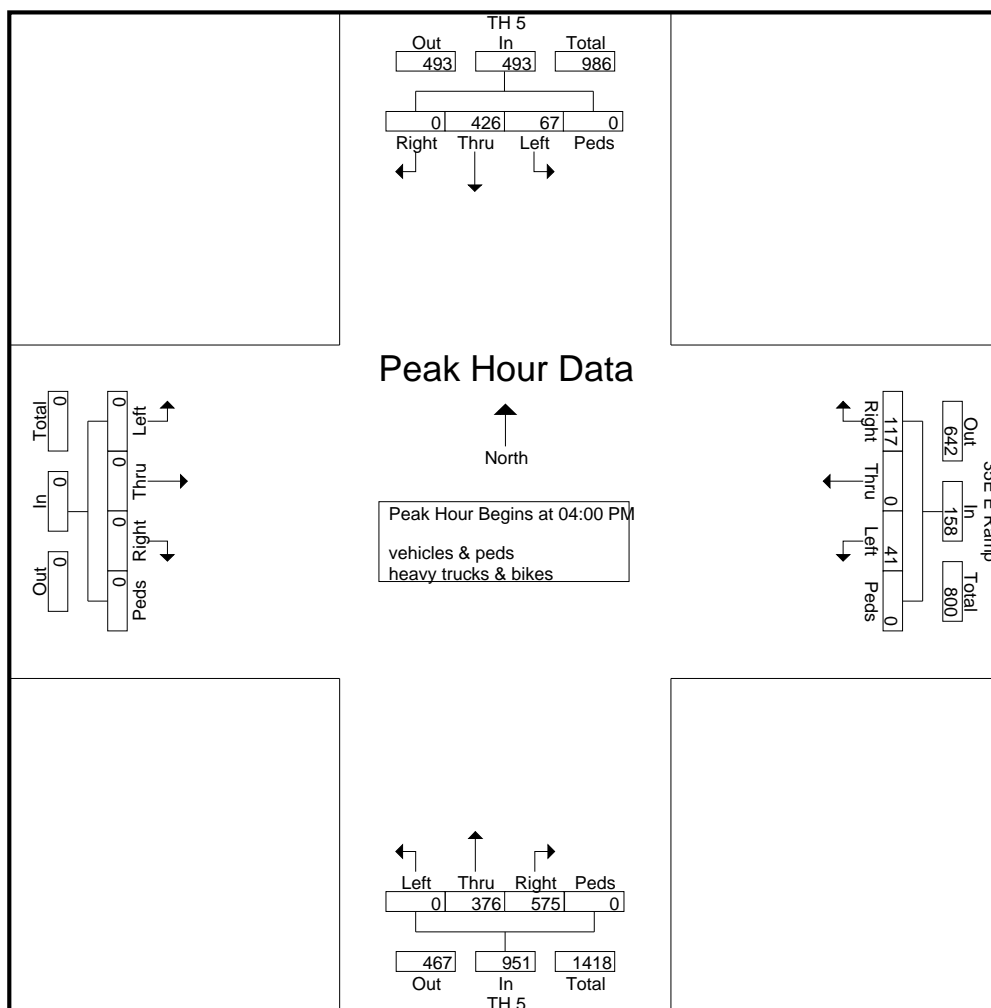
Start Time	TH 5 From North					35E E Ramp From East					TH 5 From South					From West					Int. Total
	Rig ht	Thr u	Left	Ped s	App. Total	Rig ht	Thr u	Left	Ped s	App. Total	Rig ht	Thr u	Left	Ped s	App. Total	Rig ht	Thr u	Left	Ped s	App. Total	
Peak Hour Analysis From 07:00 AM to 11:45 AM - Peak 1 of 1																					
Peak Hour for Entire Intersection Begins at 07:30 AM																					
07:30 AM	0	63	9	0	72	28	0	6	0	34	154	60	0	0	214	0	0	0	0	0	320
07:45 AM	0	74	9	0	83	32	0	6	1	39	107	78	0	0	185	0	0	0	0	0	307
08:00 AM	0	61	13	0	74	16	0	9	1	26	111	66	0	0	177	0	0	0	0	0	277
08:15 AM	0	73	14	0	87	20	0	14	0	34	147	71	0	0	218	0	0	0	0	0	339
Total Volume	0	271	45	0	316	96	0	35	2	133	519	275	0	0	794	0	0	0	0	0	1243
% App. Total	0	85.8	14.2	0		72.2	0	26.3	1.5		65.4	34.6	0	0		0	0	0	0		
PHF	.000	.916	.804	.000	.908	.750	.000	.625	.500	.853	.843	.881	.000	.000	.911	.000	.000	.000	.000	.000	.917



TH 5 & 35E E Ramps
 7-9am & 4-6pm
 vehicles, heavy trucks, bikes, peds
 day 1

File Name : site 17-TH 5 & 35E E Ramps-day 1
 Site Code : 17
 Start Date : 3/22/2022
 Page No : 3

Start Time	TH 5 From North					35E E Ramp From East					TH 5 From South					From West					Int. Total
	Rig ht	Thr u	Left	Ped s	App. Total	Rig ht	Thr u	Left	Ped s	App. Total	Right	Thr u	Left	Peds	App. Total	Right	Thr u	Left	Peds	App. Total	
Peak Hour Analysis From 12:00 PM to 05:45 PM - Peak 1 of 1																					
Peak Hour for Entire Intersection Begins at 04:00 PM																					
04:00 PM	0	101	15	0	116	25	0	12	0	37	144	92	0	0	236	0	0	0	0	0	389
04:15 PM	0	104	17	0	121	32	0	9	0	41	148	89	0	0	237	0	0	0	0	0	399
04:30 PM	0	116	20	0	136	26	0	11	0	37	146	91	0	0	237	0	0	0	0	0	410
04:45 PM	0	105	15	0	120	34	0	9	0	43	137	104	0	0	241	0	0	0	0	0	404
Total Volume	0	426	67	0	493	117	0	41	0	158	575	376	0	0	951	0	0	0	0	0	1602
% App. Total	0	86.4	13.6	0		74.1	0	25.9	0		60.5	39.5	0	0		0	0	0	0		
PHF	.000	.918	.838	.000	.906	.860	.000	.854	.000	.919	.971	.904	.000	.000	.987	.000	.000	.000	.000	.000	.977





701 Xenia Ave S, Suite 300
 Minneapolis, MN 55416

TH 5 & 35E E Ramps
 7-9am & 4-6pm
 vehicles, heavy trucks, bikes, peds
 day 2

File Name : site 17-TH 5 & 35E E Ramps-day 2
 Site Code : 17
 Start Date : 3/23/2022
 Page No : 1

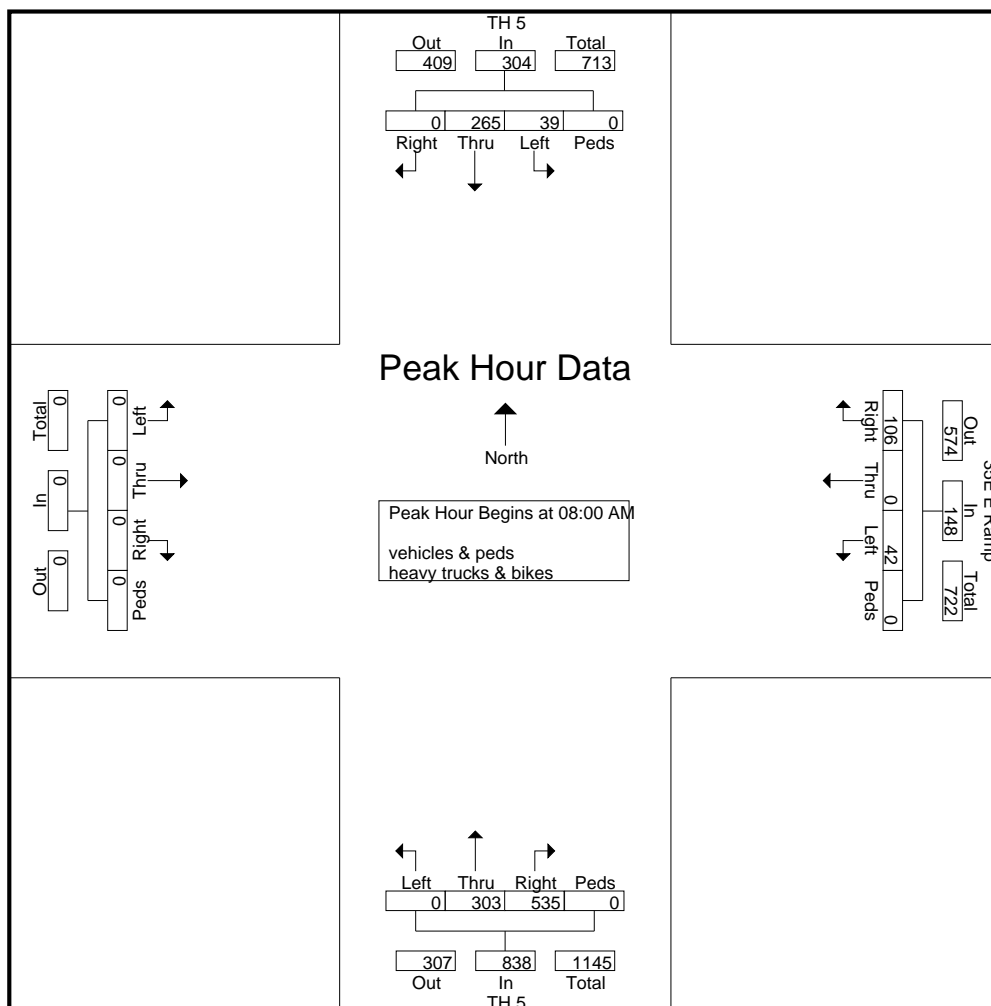
Groups Printed- vehicles & peds - heavy trucks & bikes

Start Time	TH 5 From North					35E E Ramp From East					TH 5 From South					From West					Int. Total
	Right	Thru	Left	Peds	App. Total	Right	Thru	Left	Peds	App. Total	Right	Thru	Left	Peds	App. Total	Right	Thru	Left	Peds	App. Total	
07:00 AM	0	40	7	0	47	13	0	5	0	18	90	51	0	0	141	0	0	0	0	0	206
07:15 AM	0	54	7	0	61	16	0	6	0	22	112	50	0	0	162	0	0	0	0	0	245
07:30 AM	0	58	13	0	71	19	0	5	0	24	130	49	0	0	179	0	0	0	0	0	274
07:45 AM	0	83	7	0	90	23	0	10	0	33	111	66	0	0	177	0	0	0	0	0	300
Total	0	235	34	0	269	71	0	26	0	97	443	216	0	0	659	0	0	0	0	0	1025
08:00 AM	0	78	9	0	87	19	0	14	0	33	150	67	0	0	217	0	0	0	0	0	337
08:15 AM	0	72	8	0	80	26	0	9	0	35	138	75	0	0	213	0	0	0	0	0	328
08:30 AM	0	62	11	0	73	20	0	11	0	31	127	79	0	0	206	0	0	0	0	0	310
08:45 AM	0	53	11	0	64	41	0	8	0	49	120	82	0	0	202	0	0	0	0	0	315
Total	0	265	39	0	304	106	0	42	0	148	535	303	0	0	838	0	0	0	0	0	1290
04:00 PM	0	116	13	0	129	26	0	14	0	40	138	96	0	0	234	0	0	0	0	0	403
04:15 PM	0	108	13	0	121	27	0	7	1	35	118	109	0	0	227	0	0	0	0	0	383
04:30 PM	0	111	18	0	129	30	0	8	0	38	149	96	0	0	245	0	0	0	0	0	412
04:45 PM	0	116	15	0	131	49	0	11	0	60	133	100	0	0	233	0	0	0	0	0	424
Total	0	451	59	0	510	132	0	40	1	173	538	401	0	0	939	0	0	0	0	0	1622
05:00 PM	0	92	13	0	105	29	0	5	0	34	134	109	0	0	243	0	0	0	0	0	382
05:15 PM	0	96	15	0	111	39	0	7	0	46	144	135	0	0	279	0	0	0	0	0	436
05:30 PM	0	93	19	0	112	25	0	4	1	30	160	95	0	0	255	0	0	0	0	0	397
05:45 PM	0	74	10	0	84	34	0	10	0	44	146	116	0	0	262	0	0	0	0	0	390
Total	0	355	57	0	412	127	0	26	1	154	584	455	0	0	1039	0	0	0	0	0	1605
Grand Total	0	1306	189	0	1495	436	0	134	2	572	2100	1375	0	0	3475	0	0	0	0	0	5542
Apprch %	0	87.4	12.6	0		76.2	0	23.4	0.3		60.4	39.6	0	0		0	0	0	0		
Total %	0	23.6	3.4	0	27	7.9	0	2.4	0	10.3	37.9	24.8	0	0	62.7	0	0	0	0	0	
vehicles & peds	0	1298	189	0	1487	431	0	127	2	560	2100	1370	0	0	3470	0	0	0	0	0	5517
% vehicles & peds	0	99.4	100	0	99.5	98.9	0	94.8	100	97.9	100	99.6	0	0	99.9	0	0	0	0	0	99.5
heavy trucks & bikes	0	8	0	0	8	5	0	7	0	12	0	5	0	0	5	0	0	0	0	0	25
% heavy trucks & bikes	0	0.6	0	0	0.5	1.1	0	5.2	0	2.1	0	0.4	0	0	0.1	0	0	0	0	0	0.5

TH 5 & 35E E Ramps
7-9am & 4-6pm
vehicles, heavy trucks, bikes, peds
day 2

File Name : site 17-TH 5 & 35E E Ramps-day 2
Site Code : 17
Start Date : 3/23/2022
Page No : 2

Start Time	TH 5 From North					35E E Ramp From East					TH 5 From South					From West					Int. Total
	Rig ht	Thr u	Left	Ped s	App. Total	Rig ht	Thr u	Left	Ped s	App. Total	Rig ht	Thr u	Left	Ped s	App. Total	Rig ht	Thr u	Left	Ped s	App. Total	
Peak Hour Analysis From 07:00 AM to 11:45 AM - Peak 1 of 1																					
Peak Hour for Entire Intersection Begins at 08:00 AM																					
08:00 AM	0	78	9	0	87	19	0	14	0	33	150	67	0	0	217	0	0	0	0	0	337
08:15 AM	0	72	8	0	80	26	0	9	0	35	138	75	0	0	213	0	0	0	0	0	328
08:30 AM	0	62	11	0	73	20	0	11	0	31	127	79	0	0	206	0	0	0	0	0	310
08:45 AM	0	53	11	0	64	41	0	8	0	49	120	82	0	0	202	0	0	0	0	0	315
Total Volume	0	265	39	0	304	106	0	42	0	148	535	303	0	0	838	0	0	0	0	0	1290
% App. Total	0	87.2	12.8	0		71.6	0	28.4	0		63.8	36.2	0	0		0	0	0	0	0	
PHF	.000	.849	.886	.000	.874	.646	.000	.750	.000	.755	.892	.924	.000	.000	.965	.000	.000	.000	.000	.000	.957



TH 5 & 35E E Ramps
7-9am & 4-6pm
vehicles, heavy trucks, bikes, peds
day 2

File Name : site 17-TH 5 & 35E E Ramps-day 2
Site Code : 17
Start Date : 3/23/2022
Page No : 3

Start Time	TH 5 From North					35E E Ramp From East					TH 5 From South					From West					Int. Total
	Rig ht	Thr u	Left	Ped s	App. Total	Rig ht	Thr u	Left	Ped s	App. Total	Right	Thr u	Left	Peds	App. Total	Right	Thr u	Left	Peds	App. Total	
Peak Hour Analysis From 12:00 PM to 05:45 PM - Peak 1 of 1																					
Peak Hour for Entire Intersection Begins at 04:30 PM																					
04:30 PM	0	111	18	0	129	30	0	8	0	38	149	96	0	0	245	0	0	0	0	0	412
04:45 PM	0	116	15	0	131	49	0	11	0	60	133	100	0	0	233	0	0	0	0	0	424
05:00 PM	0	92	13	0	105	29	0	5	0	34	134	109	0	0	243	0	0	0	0	0	382
05:15 PM	0	96	15	0	111	39	0	7	0	46	144	135	0	0	279	0	0	0	0	0	436
Total Volume	0	415	61	0	476	147	0	31	0	178	560	440	0	0	1000	0	0	0	0	0	1654
% App. Total	0	87.2	12.8	0		82.6	0	17.4	0		56	44	0	0		0	0	0	0		
PHF	.000	.894	.847	.000	.908	.750	.000	.705	.000	.742	.940	.815	.000	.000	.896	.000	.000	.000	.000	.000	.948

