



701 Xenia Ave S, Suite 300
 Minneapolis, MN 55416

TH 5 & 35E W Ramps
 7-9am & 4-6pm
 vehicles, heavy trucks, bikes, peds
 day 1

File Name : site 16-TH 5 & 35E W Ramps-day 1
 Site Code : 16
 Start Date : 3/22/2022
 Page No : 1

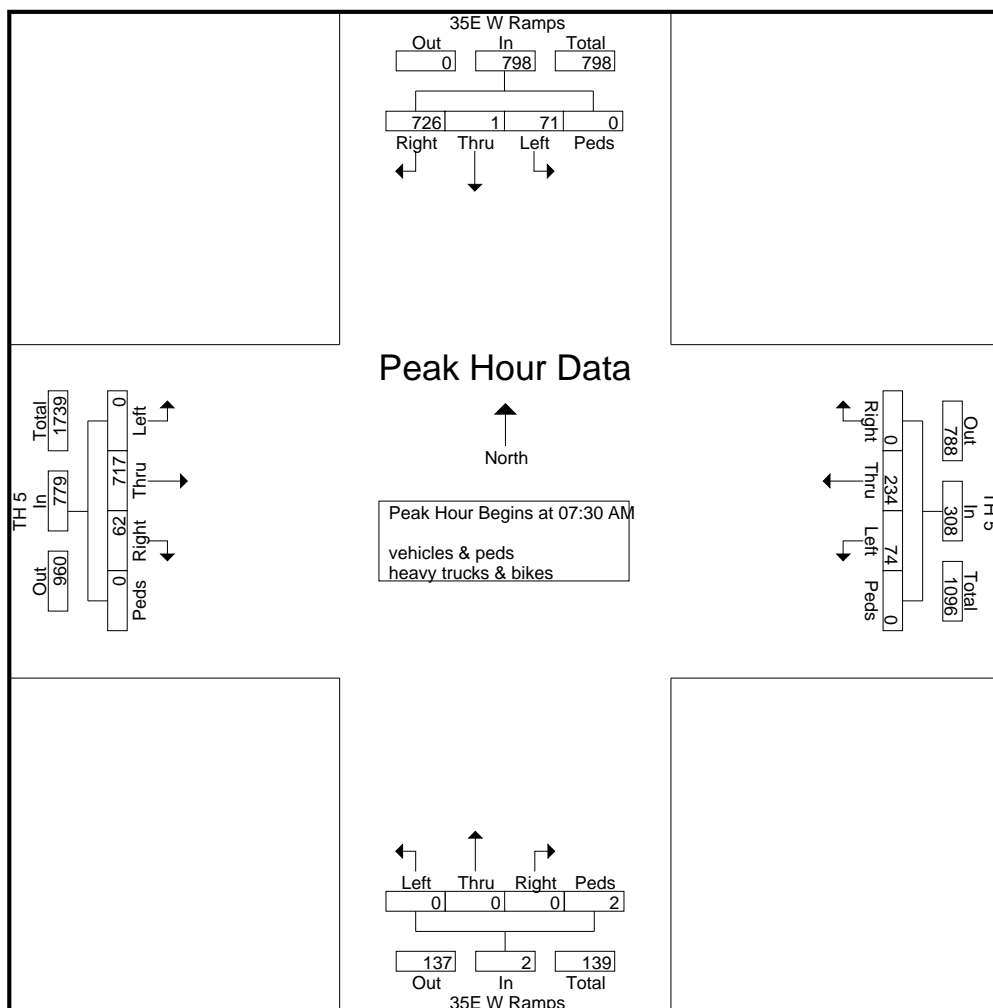
Groups Printed- vehicles & peds - heavy trucks & bikes

Start Time	35E W Ramps From North					TH 5 From East					35E W Ramps From South					TH 5 From West					Int. Total
	Right	Thru	Left	bikes	App. Total	Right	Thru	Left	bikes	App. Total	Right	Thru	Left	bikes	App. Total	Right	Thru	Left	bikes	App. Total	
07:00 AM	134	0	10	0	144	0	42	16	0	58	0	0	0	0	0	10	110	0	0	120	322
07:15 AM	166	0	14	0	180	0	39	12	0	51	0	0	0	0	0	11	150	0	0	161	392
07:30 AM	177	1	12	0	190	0	51	20	0	71	0	0	0	0	0	20	191	0	0	211	472
07:45 AM	183	0	21	0	204	0	57	20	0	77	0	0	0	1	1	14	166	0	0	180	462
Total	660	1	57	0	718	0	189	68	0	257	0	0	0	1	1	55	617	0	0	672	1648
08:00 AM	197	0	22	0	219	0	62	14	0	76	0	0	0	1	1	11	165	0	0	176	472
08:15 AM	169	0	16	0	185	0	64	20	0	84	0	0	0	0	0	17	195	0	0	212	481
08:30 AM	158	0	16	0	174	0	46	16	0	62	0	0	0	0	0	12	177	0	0	189	425
08:45 AM	149	0	14	0	163	0	50	16	0	66	0	0	0	0	0	13	168	0	0	181	410
Total	673	0	68	0	741	0	222	66	0	288	0	0	0	1	1	53	705	0	0	758	1788
04:00 PM	179	0	12	0	191	0	79	36	0	115	0	0	0	0	0	23	212	0	0	235	541
04:15 PM	201	0	19	0	220	0	78	28	0	106	0	0	0	0	0	28	224	0	0	252	578
04:30 PM	171	0	15	0	186	0	91	35	0	126	0	0	0	0	0	21	210	0	0	231	543
04:45 PM	184	0	17	0	201	0	96	21	0	117	0	0	0	0	0	21	224	0	0	245	563
Total	735	0	63	0	798	0	344	120	0	464	0	0	0	0	0	93	870	0	0	963	2225
05:00 PM	174	1	20	0	195	0	69	27	0	96	0	0	0	0	0	28	235	0	0	263	554
05:15 PM	134	0	14	0	148	0	90	25	0	115	0	0	0	0	0	17	203	0	0	220	483
05:30 PM	175	0	26	0	201	0	74	20	0	94	0	0	0	0	0	12	227	0	0	239	534
05:45 PM	175	1	17	0	193	0	60	25	0	85	0	0	0	0	0	9	210	0	0	219	497
Total	658	2	77	0	737	0	293	97	0	390	0	0	0	0	0	66	875	0	0	941	2068
Grand Total	2726	3	265	0	2994	0	1048	351	0	1399	0	0	0	2	2	267	3067	0	0	3334	7729
Apprch %	91	0.1	8.9	0		0	74.9	25.1	0		0	0	0	100		8	92	0	0		
Total %	35.3	0	3.4	0	38.7	0	13.6	4.5	0	18.1	0	0	0	0	0	3.5	39.7	0	0	43.1	
vehicles & peds	2724	3	265	0	2992	0	1030	346	0	1376	0	0	0	2	2	251	3064	0	0	3315	7685
% vehicles & peds	99.9	100	100	0	99.9	0	98.3	98.6	0	98.4	0	0	0	100	100	94	99.9	0	0	99.4	99.4
heavy trucks & bikes	2	0	0	0	2	0	18	5	0	23	0	0	0	0	0	16	3	0	0	19	44
% heavy trucks & bikes	0.1	0	0	0	0.1	0	1.7	1.4	0	1.6	0	0	0	0	0	6	0.1	0	0	0.6	0.6

TH 5 & 35E W Ramps
7-9am & 4-6pm
vehicles, heavy trucks, bikes, peds
day 1

File Name : site 16-TH 5 & 35E W Ramps-day 1
Site Code : 16
Start Date : 3/22/2022
Page No : 2

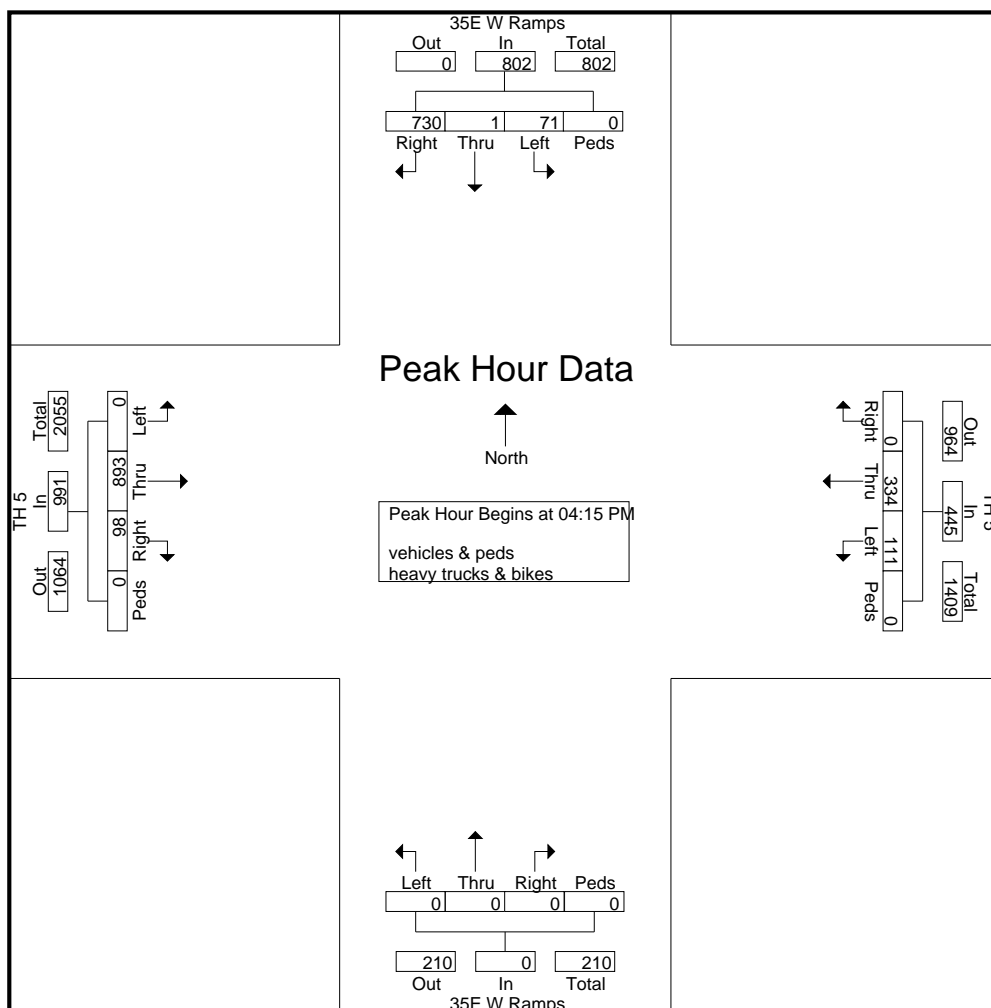
Start Time	35E W Ramps From North					TH 5 From East					35E W Ramps From South					TH 5 From West					Int. Total
	Rig ht	Thr u	Left	bike s	App. Total	Rig ht	Thr u	Left	bike s	App. Total	Rig ht	Thr u	Left	bike s	App. Total	Rig ht	Thr u	Left	bike s	App. Total	
Peak Hour Analysis From 07:00 AM to 11:45 AM - Peak 1 of 1																					
Peak Hour for Entire Intersection Begins at 07:30 AM																					
07:30 AM	177	1	12	0	190	0	51	20	0	71	0	0	0	0	0	20	191	0	0	211	472
07:45 AM	183	0	21	0	204	0	57	20	0	77	0	0	0	1	1	14	166	0	0	180	462
08:00 AM	197	0	22	0	219	0	62	14	0	76	0	0	0	1	1	11	165	0	0	176	472
08:15 AM	169	0	16	0	185	0	64	20	0	84	0	0	0	0	0	17	195	0	0	212	481
Total Volume	726	1	71	0	798	0	234	74	0	308	0	0	0	2	2	62	717	0	0	779	1887
% App. Total	.91	0.1	8.9	0		0	.76	.24	0		0	0	0	100		.08	.92	0	0		
PHF	.921	.250	.807	.000	.911	.000	.914	.925	.000	.917	.000	.000	.000	.500	.500	.775	.919	.000	.000	.919	.981



TH 5 & 35E W Ramps
7-9am & 4-6pm
vehicles, heavy trucks, bikes, peds
day 1

File Name : site 16-TH 5 & 35E W Ramps-day 1
Site Code : 16
Start Date : 3/22/2022
Page No : 3

Start Time	35E W Ramps From North					TH 5 From East					35E W Ramps From South					TH 5 From West					Int. Total
	Rig ht	Thr u	Left	bike s	App. Total	Rig ht	Thr u	Left	bike s	App. Total	Right	Thr u	Left	bikes	App. Total	Right	Thr u	Left	bikes	App. Total	
Peak Hour Analysis From 12:00 PM to 05:45 PM - Peak 1 of 1																					
Peak Hour for Entire Intersection Begins at 04:15 PM																					
04:15 PM	201	0	19	0	220	0	78	28	0	106	0	0	0	0	0	28	224	0	0	252	578
04:30 PM	171	0	15	0	186	0	91	35	0	126	0	0	0	0	0	21	210	0	0	231	543
04:45 PM	184	0	17	0	201	0	96	21	0	117	0	0	0	0	0	21	224	0	0	245	563
05:00 PM	174	1	20	0	195	0	69	27	0	96	0	0	0	0	0	28	235	0	0	263	554
Total Volume	730	1	71	0	802	0	334	111	0	445	0	0	0	0	0	98	893	0	0	991	2238
% App. Total	91	0.1	8.9	0		0	75.1	24.9	0		0	0	0	0		9.9	90.1	0	0		
PHF	.908	.250	.888	.000	.911	.000	.870	.793	.000	.883	.000	.000	.000	.000	.000	.875	.950	.000	.000	.942	.968





701 Xenia Ave S, Suite 300
 Minneapolis, MN 55416

TH 5 & 35E W Ramps
 7-9am & 4-6pm
 vehicles, heavy trucks, bikes, peds
 day 2

File Name : site 16-TH 5 & 35E W Ramps-day 2
 Site Code : 16
 Start Date : 3/23/2022
 Page No : 1

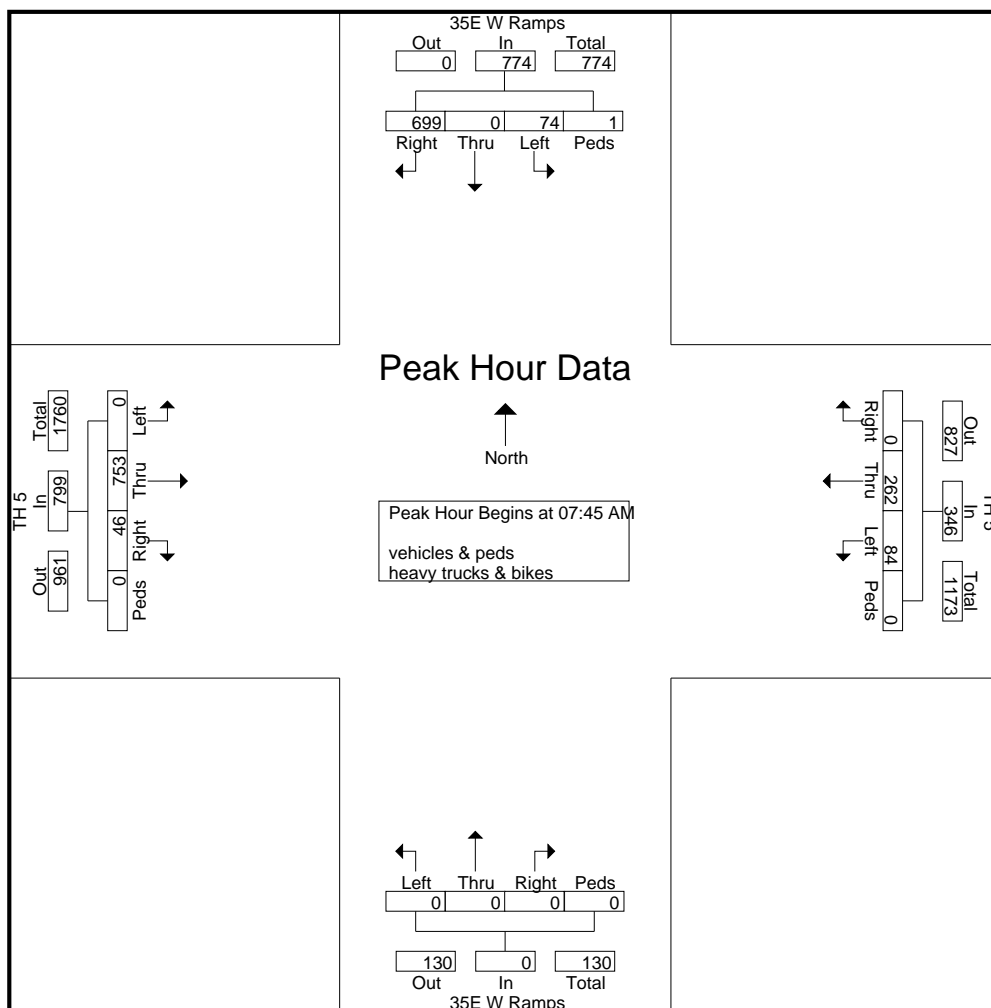
Groups Printed- vehicles & peds - heavy trucks & bikes

Start Time	35E W Ramps From North					TH 5 From East					35E W Ramps From South					TH 5 From West					Int. Total
	Right	Thru	Left	bikes	App. Total	Right	Thru	Left	bikes	App. Total	Right	Thru	Left	bikes	App. Total	Right	Thru	Left	bikes	App. Total	
07:00 AM	124	0	12	0	136	0	32	11	0	43	0	0	0	0	0	12	132	0	0	144	323
07:15 AM	179	0	9	1	189	0	49	12	0	61	0	0	0	0	0	11	152	0	0	163	413
07:30 AM	160	0	6	0	166	0	50	15	0	65	0	0	0	0	0	22	170	0	0	192	423
07:45 AM	155	0	18	0	173	0	71	21	0	92	0	0	0	0	0	7	172	0	0	179	444
Total	618	0	45	1	664	0	202	59	0	261	0	0	0	0	0	52	626	0	0	678	1603
08:00 AM	197	0	18	0	215	0	71	25	0	96	0	0	0	0	0	10	202	0	0	212	523
08:15 AM	188	0	20	0	208	0	65	18	0	83	0	0	0	0	0	18	178	0	0	196	487
08:30 AM	159	0	18	1	178	0	55	20	0	75	0	0	0	0	0	11	201	0	0	212	465
08:45 AM	154	0	18	0	172	0	47	14	0	61	0	0	0	0	0	8	170	0	0	178	411
Total	698	0	74	1	773	0	238	77	0	315	0	0	0	0	0	47	751	0	0	798	1886
04:00 PM	141	1	19	1	162	0	86	40	0	126	0	0	0	0	0	28	222	0	0	250	538
04:15 PM	195	0	22	0	217	0	83	26	0	109	0	0	0	1	1	19	201	0	0	220	547
04:30 PM	168	0	23	0	191	0	94	25	0	119	0	0	0	0	0	22	216	0	0	238	548
04:45 PM	144	3	16	0	163	0	100	23	0	123	0	0	0	0	0	24	210	0	0	234	520
Total	648	4	80	1	733	0	363	114	0	477	0	0	0	1	1	93	849	0	0	942	2153
05:00 PM	162	3	18	0	183	0	68	31	0	99	0	0	0	0	0	20	230	0	0	250	532
05:15 PM	135	0	30	0	165	0	70	34	0	104	0	0	0	0	0	17	258	0	0	275	544
05:30 PM	146	0	10	0	156	0	68	24	0	92	0	0	0	0	0	16	250	0	0	266	514
05:45 PM	135	0	24	0	159	0	58	27	0	85	0	0	0	0	0	18	226	0	0	244	488
Total	578	3	82	0	663	0	264	116	0	380	0	0	0	0	0	71	964	0	0	1035	2078
Grand Total	2542	7	281	3	2833	0	1067	366	0	1433	0	0	0	1	1	263	3190	0	0	3453	7720
Apprch %	89.7	0.2	9.9	0.1		0	74.5	25.5	0		0	0	0	100		7.6	92.4	0	0		
Total %	32.9	0.1	3.6	0	36.7	0	13.8	4.7	0	18.6	0	0	0	0	0	3.4	41.3	0	0	44.7	
vehicles & peds	2541	7	281	3	2832	0	1052	364	0	1416	0	0	0	1	1	249	3185	0	0	3434	7683
% vehicles & peds	100	100	100	100	100	0	98.6	99.5	0	98.8	0	0	0	100	100	94.7	99.8	0	0	99.4	99.5
heavy trucks & bikes	1	0	0	0	1	0	15	2	0	17	0	0	0	0	0	14	5	0	0	19	37
% heavy trucks & bikes	0	0	0	0	0	0	1.4	0.5	0	1.2	0	0	0	0	0	5.3	0.2	0	0	0.6	0.5

TH 5 & 35E W Ramps
7-9am & 4-6pm
vehicles, heavy trucks, bikes, peds
day 2

File Name : site 16-TH 5 & 35E W Ramps-day 2
Site Code : 16
Start Date : 3/23/2022
Page No : 2

Start Time	35E W Ramps From North					TH 5 From East					35E W Ramps From South					TH 5 From West					Int. Total
	Rig ht	Thru	Left	bike s	App. Total	Rig ht	Thru	Left	bike s	App. Total	Rig ht	Thru	Left	bike s	App. Total	Rig ht	Thru	Left	bike s	App. Total	
Peak Hour Analysis From 07:00 AM to 11:45 AM - Peak 1 of 1																					
Peak Hour for Entire Intersection Begins at 07:45 AM																					
07:45 AM	155	0	18	0	173	0	71	21	0	92	0	0	0	0	0	7	172	0	0	179	444
08:00 AM	197	0	18	0	215	0	71	25	0	96	0	0	0	0	0	10	202	0	0	212	523
08:15 AM	188	0	20	0	208	0	65	18	0	83	0	0	0	0	0	18	178	0	0	196	487
08:30 AM	159	0	18	1	178	0	55	20	0	75	0	0	0	0	0	11	201	0	0	212	465
Total Volume	699	0	74	1	774	0	262	84	0	346	0	0	0	0	0	46	753	0	0	799	1919
% App. Total	90.3	0	9.6	0.1		0	75.7	24.3	0		0	0	0	0		5.8	94.2	0	0		
PHF	.887	.000	.925	.250	.900	.000	.923	.840	.000	.901	.000	.000	.000	.000	.000	.639	.932	.000	.000	.942	.917



TH 5 & 35E W Ramps
7-9am & 4-6pm
vehicles, heavy trucks, bikes, peds
day 2

File Name : site 16-TH 5 & 35E W Ramps-day 2
Site Code : 16
Start Date : 3/23/2022
Page No : 3

Start Time	35E W Ramps From North					TH 5 From East					35E W Ramps From South					TH 5 From West					Int. Total
	Rig ht	Thr u	Left	bike s	App. Total	Rig ht	Thr u	Left	bike s	App. Total	Right	Thr u	Left	bikes	App. Total	Right	Thr u	Left	bikes	App. Total	
Peak Hour Analysis From 12:00 PM to 05:45 PM - Peak 1 of 1																					
Peak Hour for Entire Intersection Begins at 04:00 PM																					
04:00 PM	141	1	19	1	162	0	86	40	0	126	0	0	0	0	0	28	222	0	0	250	538
04:15 PM	195	0	22	0	217	0	83	26	0	109	0	0	0	1	1	19	201	0	0	220	547
04:30 PM	168	0	23	0	191	0	94	25	0	119	0	0	0	0	0	22	216	0	0	238	548
04:45 PM	144	3	16	0	163	0	100	23	0	123	0	0	0	0	0	24	210	0	0	234	520
Total Volume	648	4	80	1	733	0	363	114	0	477	0	0	0	1	1	93	849	0	0	942	2153
% App. Total	88.4	0.5	10.9	0.1		0	76.1	23.9	0		0	0	0	100		9.9	90.1	0	0		
PHF	.831	.333	.870	.250	.844	.000	.908	.713	.000	.946	.000	.000	.000	.250	.250	.830	.956	.000	.000	.942	.982

