

SEH CONSULTING
Traffic Data Collection
TURN MOVEMENT COUNT

Burnsville Parkway at Pleasant Avenue
AM, MID, PM Peaks 6/5/2007
data by SEH
TURN MOVEMENT COUNT

File Name : Burnsville Pkwy at Pleasant Ave- 2007
Site Code : 00000003
Start Date : 6/5/2007
Page No : 1

Groups Printed- Unshifted - Heavy Veh

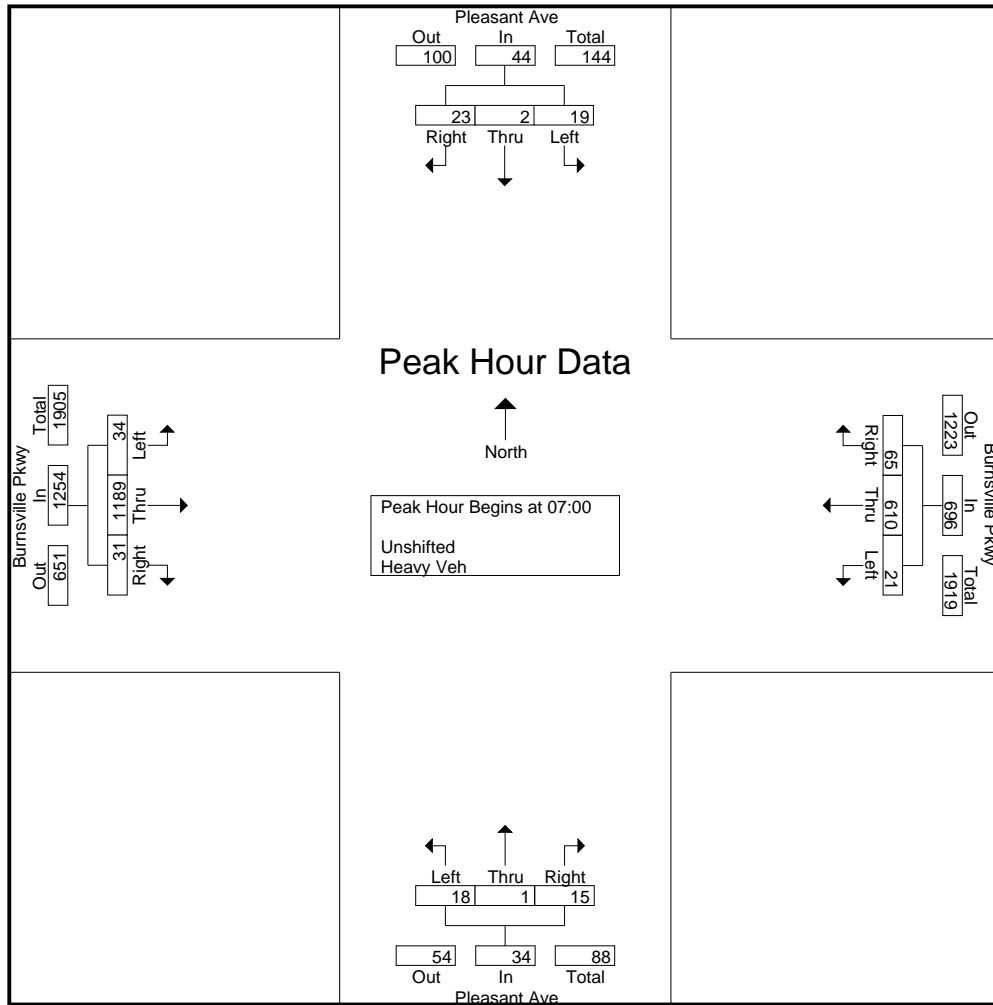
Start Time	Pleasant Ave Southbound				Burnsville Pkwy Westbound				Pleasant Ave Northbound				Burnsville Pkwy Eastbound				Exclu. Total	Inclu. Total	Int. Total
	Left	Thru	Right	Peds	Left	Thru	Right	Peds	Left	Thru	Right	Peds	Left	Thru	Right	Peds			
06:00	0	0	0	0	1	45	5	0	4	0	1	0	1	56	4	0	0	117	117
06:15	0	0	0	0	1	58	4	0	7	0	1	0	2	84	0	0	0	157	157
06:30	1	0	1	0	0	70	1	0	9	0	2	0	6	136	0	0	0	226	226
06:45	4	0	2	0	0	108	6	0	4	0	4	0	5	213	0	0	0	346	346
Total	5	0	3	0	2	281	16	0	24	0	8	0	14	489	4	0	0	846	846
07:00	4	2	4	0	2	121	6	0	4	0	1	0	10	374	1	0	0	529	529
07:15	8	0	10	0	3	149	9	0	7	0	4	0	4	308	28	0	0	530	530
07:30	4	0	6	0	9	173	20	0	3	1	1	0	5	259	0	0	0	481	481
07:45	3	0	3	0	7	167	30	0	4	0	9	0	15	248	2	0	0	488	488
Total	19	2	23	0	21	610	65	0	18	1	15	0	34	1189	31	0	0	2028	2028
08:00	1	0	3	0	2	128	29	0	6	0	0	0	7	215	0	0	0	391	391
08:15	5	0	3	0	7	99	19	0	5	1	4	0	6	131	1	0	0	281	281
08:30	3	0	1	0	11	117	27	0	3	0	7	0	4	134	1	0	0	308	308
08:45	1	0	6	0	1	123	19	0	4	1	4	0	8	134	2	0	0	303	303
Total	10	0	13	0	21	467	94	0	18	2	15	0	25	614	4	0	0	1283	1283
*** BREAK ***																			
11:00	15	1	4	0	8	100	8	0	3	1	2	0	4	131	2	0	0	279	279
11:15	15	0	5	0	4	102	12	0	3	0	5	0	4	164	0	0	0	314	314
11:30	20	0	13	0	9	100	10	0	6	2	3	0	3	117	1	0	0	284	284
11:45	16	1	5	0	7	110	14	0	9	0	4	0	8	152	2	0	0	328	328
Total	66	2	27	0	28	412	44	0	21	3	14	0	19	564	5	0	0	1205	1205
12:00	15	0	9	0	7	108	14	0	3	0	3	0	6	153	3	0	0	321	321
12:15	23	1	13	0	9	108	18	0	4	0	6	0	9	146	2	0	0	339	339
12:30	15	2	17	2	7	107	15	0	13	0	5	0	14	116	0	0	2	311	313
12:45	10	0	6	0	3	129	17	0	10	0	4	0	4	151	3	0	0	337	337
Total	63	3	45	2	26	452	64	0	30	0	18	0	33	566	8	0	2	1308	1310
*** BREAK ***																			
15:00	15	0	14	0	8	161	11	0	10	1	1	0	8	138	10	0	0	377	377
15:15	9	0	11	0	5	145	7	0	2	0	5	0	8	160	2	0	0	354	354
15:30	15	1	7	0	10	169	4	0	6	0	5	0	2	176	4	0	0	399	399
15:45	12	0	6	0	8	176	3	0	6	1	5	0	2	171	5	0	0	395	395
Total	51	1	38	0	31	651	25	0	24	2	16	0	20	645	21	0	0	1525	1525
16:00	20	0	14	0	17	201	3	0	6	0	3	0	6	183	4	0	0	457	457
16:15	18	1	10	0	11	186	6	0	13	0	8	0	2	225	0	0	0	480	480
16:30	24	3	6	0	17	212	6	0	18	0	2	0	9	219	5	0	0	521	521
16:45	21	1	3	0	8	218	3	0	8	0	4	0	4	204	3	0	0	477	477
Total	83	5	33	0	53	817	18	0	45	0	17	0	21	831	12	0	0	1935	1935
17:00	27	1	10	0	9	247	2	0	10	0	5	0	3	250	9	0	0	573	573
17:15	8	0	14	0	9	215	2	0	15	0	10	0	7	231	5	0	0	516	516
17:30	13	2	10	0	5	252	4	0	8	0	1	0	6	255	5	0	0	561	561
17:45	10	0	4	0	5	213	4	0	8	0	5	0	3	262	1	0	0	515	515
Total	58	3	38	0	28	927	12	0	41	0	21	0	19	998	20	0	0	2165	2165
Grand Total	355	16	220	2	210	4617	338	0	221	8	124	0	185	5896	105	0	2	12295	12297
Apprch %	60.1	2.7	37.2		4.1	89.4	6.5		62.6	2.3	35.1		3	95.3	1.7				
Total %	2.9	0.1	1.8		1.7	37.6	2.7		1.8	0.1	1		1.5	48	0.9		0	100	
Unshifted	350	15	216		210	4555	336		219	8	122		185	5817	105		0	0	12140
% Unshifted	98.6	93.8	98.2	100	100	98.7	99.4	0	99.1	100	98.4	0	100	98.7	100	0	0	0	98.7
Heavy Veh	5	1	4		0	62	2		2	0	2		0	79	0		0	0	157
% Heavy Veh	1.4	6.2	1.8	0	0	1.3	0.6	0	0.9	0	1.6	0	0	1.3	0	0	0	0	1.3

SEH CONSULTING
Traffic Data Collection
TURN MOVEMENT COUNT

Burnsville Parkway at Pleasant Avenue
AM, MID, PM Peaks 6/5/2007
data by SEH
TURN MOVEMENT COUNT

File Name : Burnsville Pkwy at Pleasant Ave- 2007
Site Code : 00000003
Start Date : 6/5/2007
Page No : 2

Start Time	Pleasant Ave Southbound				Burnsville Pkwy Westbound				Pleasant Ave Northbound				Burnsville Pkwy Eastbound				Int. Total
	Left	Thru	Right	App. Total	Left	Thru	Right	App. Total	Left	Thru	Right	App. Total	Left	Thru	Right	App. Total	
Peak Hour Analysis From 06:00 to 08:45 - Peak 1 of 1																	
Peak Hour for Entire Intersection Begins at 07:00																	
07:00	4	2	4	10	2	121	6	129	4	0	1	5	10	374	1	385	529
07:15	8	0	10	18	3	149	9	161	7	0	4	11	4	308	28	340	530
07:30	4	0	6	10	9	173	20	202	3	1	1	5	5	259	0	264	481
07:45	3	0	3	6	7	167	30	204	4	0	9	13	15	248	2	265	488
Total Volume	19	2	23	44	21	610	65	696	18	1	15	34	34	1189	31	1254	2028
% App. Total	43.2	4.5	52.3		3	87.6	9.3		52.9	2.9	44.1		2.7	94.8	2.5		
PHF	.594	.250	.575	.611	.583	.882	.542	.853	.643	.250	.417	.654	.567	.795	.277	.814	.957



SEH CONSULTING
Traffic Data Collection
TURN MOVEMENT COUNT

Burnsville Parkway at Pleasant Avenue
AM, MID, PM Peaks 6/5/2007
data by SEH
TURN MOVEMENT COUNT

File Name : Burnsville Pkwy at Pleasant Ave- 2007
Site Code : 00000003
Start Date : 6/5/2007
Page No : 3

Start Time	Pleasant Ave Southbound				Burnsville Pkwy Westbound				Pleasant Ave Northbound				Burnsville Pkwy Eastbound				Int. Total
	Left	Thru	Right	App. Total	Left	Thru	Right	App. Total	Left	Thru	Right	App. Total	Left	Thru	Right	App. Total	
Peak Hour Analysis From 15:00 to 17:45 - Peak 1 of 1																	
Peak Hour for Entire Intersection Begins at 17:00																	
17:00	27	1	10	38	9	247	2	258	10	0	5	15	3	250	9	262	573
17:15	8	0	14	22	9	215	2	226	15	0	10	25	7	231	5	243	516
17:30	13	2	10	25	5	252	4	261	8	0	1	9	6	255	5	266	561
17:45	10	0	4	14	5	213	4	222	8	0	5	13	3	262	1	266	515
Total Volume	58	3	38	99	28	927	12	967	41	0	21	62	19	998	20	1037	2165
% App. Total	58.6	3	38.4		2.9	95.9	1.2		66.1	0	33.9		1.8	96.2	1.9		
PHF	.537	.375	.679	.651	.778	.920	.750	.926	.683	.000	.525	.620	.679	.952	.556	.975	.945

