



MINNESOTA DEPT OF TRANSPORTATION

TRAFFIC DATA COLLECTION - METRO

I-35W at CSAH-96, east ramps
 Ref.Pt.: 027.559
 JAMAR # 631 RE
 TURN MOVEMENT COUNT

File Name : I-35W at CSAH-96 east ramps 2011
 Site Code : 00000000
 Start Date : 2/16/2011
 Page No : 1

Groups Printed- Cars & Trucks

Start Time	ramp to I-35 W northbound Southbound				CSAH-96 Westbound				ramp from I-35 W northbound Northbound				CSAH-96 Eastbound				Int. Total
	Left	Thru	Right	Peds	Left	Thru	Right	Peds	Left	Thru	Right	Peds	Left	Thru	Right	Peds	
06:00	0	0	0	0	0	64	13	0	16	0	19	0	12	39	0	0	163
06:15	0	0	0	0	0	82	3	0	20	0	35	0	7	36	0	0	183
06:30	0	0	0	0	0	141	6	0	24	0	29	0	15	38	0	0	253
06:45	0	0	0	0	0	152	7	1	34	0	39	0	15	45	0	1	294
Total	0	0	0	0	0	439	29	1	94	0	122	0	49	158	0	1	893
07:00	0	0	0	0	0	198	9	0	18	1	45	0	13	48	0	0	332
07:15	0	0	0	0	0	227	7	0	18	2	50	0	16	82	0	1	403
07:30	0	0	0	0	0	224	8	0	16	0	63	0	14	74	0	1	400
07:45	0	0	0	0	0	168	8	0	28	1	79	0	14	86	0	0	384
Total	0	0	0	0	0	817	32	0	80	4	237	0	57	290	0	2	1519
08:00	0	0	0	0	0	185	11	0	23	1	70	0	17	83	0	0	390
08:15	0	0	0	0	0	149	6	0	32	0	69	0	16	47	0	0	319
08:30	0	0	0	0	0	183	9	0	24	0	53	0	29	54	0	0	352
08:45	0	0	0	0	0	139	14	0	19	0	44	0	14	41	0	0	271
Total	0	0	0	0	0	656	40	0	98	1	236	0	76	225	0	0	1332
*** BREAK ***																	
14:45	0	0	0	0	0	97	19	1	27	2	69	0	27	50	0	0	292
Total	0	0	0	0	0	97	19	1	27	2	69	0	27	50	0	0	292
15:00	0	0	0	0	0	110	13	2	11	0	72	0	48	62	0	0	318
15:15	0	0	0	0	0	111	20	0	18	0	65	0	29	62	0	0	305
15:30	0	0	0	0	0	113	17	0	12	0	69	0	64	85	0	0	360
15:45	0	0	0	0	0	115	22	0	10	0	56	0	57	60	0	0	320
Total	0	0	0	0	0	449	72	2	51	0	262	0	198	269	0	0	1303
16:00	0	0	0	0	0	127	30	1	15	0	65	0	89	77	0	0	404
16:15	0	0	0	0	0	121	29	0	10	0	85	0	70	91	0	0	406
16:30	0	0	0	0	0	165	33	0	1	0	93	0	96	125	0	0	513
16:45	0	0	0	0	0	140	45	0	10	0	91	0	98	95	0	0	479
Total	0	0	0	0	0	553	137	1	36	0	334	0	353	388	0	0	1802
17:00	0	0	0	2	0	111	32	0	8	0	98	0	97	122	0	2	472
17:15	0	0	0	0	0	148	35	0	3	0	82	0	95	127	0	0	490
17:30	0	0	0	0	0	113	24	0	10	0	78	0	65	113	0	2	405
17:45	0	0	0	0	0	92	16	0	13	1	91	0	74	107	0	0	394
Total	0	0	0	2	0	464	107	0	34	1	349	0	331	469	0	4	1761
Grand Total	0	0	0	2	0	3475	436	5	420	8	1609	0	1091	1849	0	7	8902
Apprch %	0	0	0	100	0	88.7	11.1	0.1	20.6	0.4	79	0	37	62.7	0	0.2	
Total %	0	0	0	0	0	39	4.9	0.1	4.7	0.1	18.1	0	12.3	20.8	0	0.1	



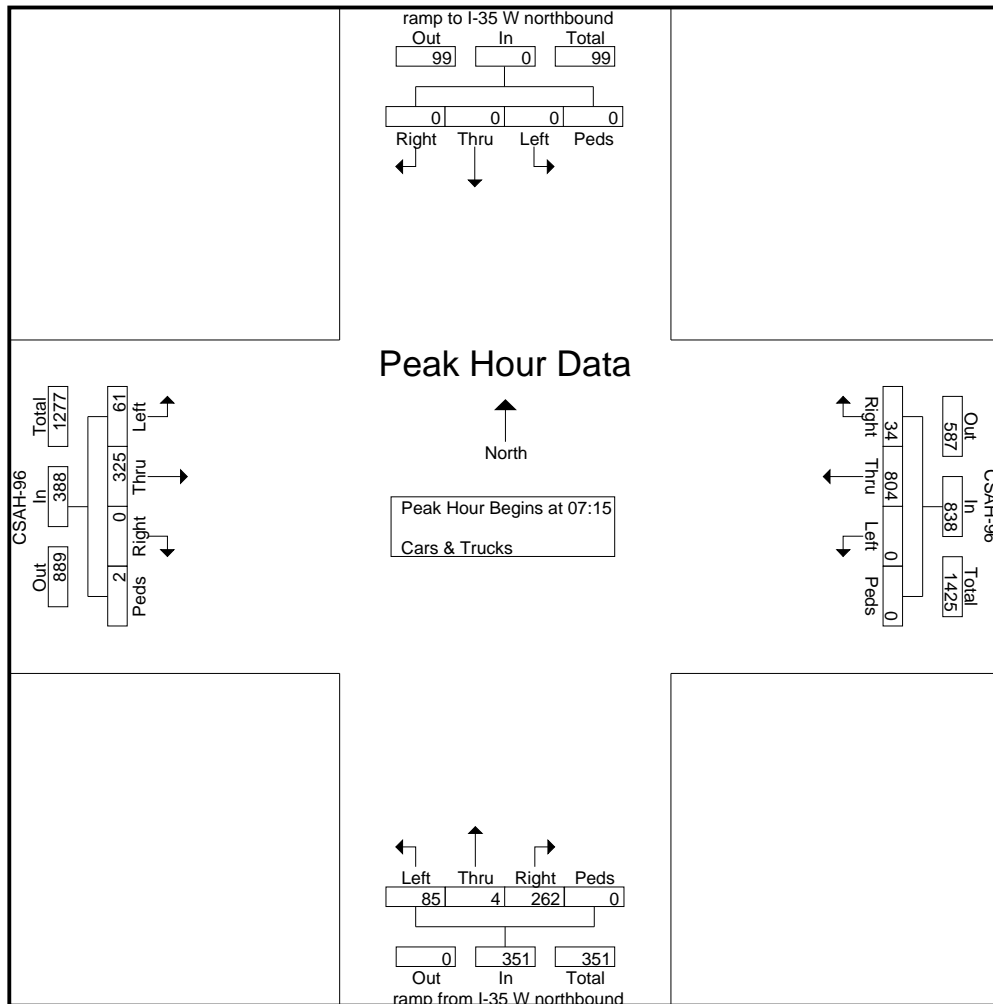
MINNESOTA DEPT OF TRANSPORTATION

TRAFFIC DATA COLLECTION - METRO

I-35W at CSAH-96, east ramps
 Ref.Pt.: 027.559
 JAMAR # 631 RE
 TURN MOVEMENT COUNT

File Name : I-35W at CSAH-96 east ramps 2011
 Site Code : 00000000
 Start Date : 2/16/2011
 Page No : 2

Start Time	ramp to I-35 W northbound Southbound					CSAH-96 Westbound					ramp from I-35 W northbound Northbound					CSAH-96 Eastbound					Int. Total
	Left	Thru	Right	Peds	App. Total	Left	Thru	Right	Peds	App. Total	Left	Thru	Right	Peds	App. Total	Left	Thru	Right	Peds	App. Total	
Peak Hour Analysis From 06:00 to 08:45 - Peak 1 of 1																					
Peak Hour for Entire Intersection Begins at 07:15																					
07:15	0	0	0	0	0	0	227	7	0	234	18	2	50	0	70	16	82	0	1	99	403
07:30	0	0	0	0	0	0	224	8	0	232	16	0	63	0	79	14	74	0	1	89	400
07:45	0	0	0	0	0	0	168	8	0	176	28	1	79	0	108	14	86	0	0	100	384
08:00	0	0	0	0	0	0	185	11	0	196	23	1	70	0	94	17	83	0	0	100	390
Total Volume	0	0	0	0	0	0	804	34	0	838	85	4	262	0	351	61	325	0	2	388	1577
% App. Total	0	0	0	0	0	0	95.9	4.1	0	24.2	1.1	74.6	0	15.7	83.8	0	0.5				
PHF	.000	.000	.000	.000	.000	.000	.885	.773	.000	.895	.759	.500	.829	.000	.813	.897	.945	.000	.500	.970	.978





MINNESOTA DEPT OF TRANSPORTATION

TRAFFIC DATA COLLECTION - METRO

I-35W at CSAH-96, east ramps
 Ref.Pt.: 027.559
 JAMAR # 631 RE
 TURN MOVEMENT COUNT

File Name : I-35W at CSAH-96 east ramps 2011
 Site Code : 00000000
 Start Date : 2/16/2011
 Page No : 3

Start Time	ramp to I-35 W northbound Southbound					CSAH-96 Westbound					ramp from I-35 W northbound Northbound					CSAH-96 Eastbound					Int. Total
	Left	Thru	Right	Peds	App. Total	Left	Thru	Right	Peds	App. Total	Left	Thru	Right	Peds	App. Total	Left	Thru	Right	Peds	App. Total	
Peak Hour Analysis From 14:45 to 17:45 - Peak 1 of 1 Peak Hour for Entire Intersection Begins at 16:30																					
16:30	0	0	0	0	0	0	165	33	0	198	1	0	93	0	94	96	125	0	0	221	513
16:45	0	0	0	0	0	0	140	45	0	185	10	0	91	0	101	98	95	0	0	193	479
17:00	0	0	0	2	2	0	111	32	0	143	8	0	98	0	106	97	122	0	2	221	472
17:15	0	0	0	0	0	0	148	35	0	183	3	0	82	0	85	95	127	0	0	222	490
Total Volume	0	0	0	2	2	0	564	145	0	709	22	0	364	0	386	386	469	0	2	857	1954
% App. Total	0	0	0	100		0	79.5	20.5	0		5.7	0	94.3	0		45	54.7	0	0.2		
PHF	.000	.000	.000	.250	.250	.000	.855	.806	.000	.895	.550	.000	.929	.000	.910	.985	.923	.000	.250	.965	.952

