



MINNESOTA DEPT OF TRANSPORTATION

TRAFFIC DATA COLLECTION - METRO

I-394 at Louisiana Ave., South Ramps
 Ref.Pt.: 004.455
 video MD
 TURN MOVEMENT COUNT

File Name : I-394 at Louisiana Ave SOUTH RAMPS 2014
 Site Code :
 Start Date : 2/5/2014
 Page No : 1

Groups Printed- Cars +

Start Time	Louisiana Ave Southbound				ramp to I-394 EB Westbound				Louisiana Ave Northbound				ramp from I-394 EB Eastbound				Int. Total
	Right	Thru	Left	Peds	Right	Thru	Left	Peds	Right	Thru	Left	Peds	Right	Thru	Left	Peds	
06:00	0	15	7	0	3	1	0	0	32	23	0	0	17	1	22	0	121
06:15	0	40	10	0	0	0	0	0	45	37	0	0	37	1	31	0	201
06:30	0	45	24	0	0	0	0	0	72	43	0	0	32	0	32	0	248
06:45	0	72	16	0	0	0	0	0	58	60	0	0	52	3	42	0	303
Total	0	172	57	0	3	1	0	0	207	163	0	0	138	5	127	0	873
07:00	0	72	10	0	0	0	0	0	90	89	0	0	58	1	24	0	344
07:15	0	92	12	0	0	0	0	0	92	107	0	0	48	2	60	0	413
07:30	0	77	16	0	0	0	0	0	128	89	0	0	57	3	48	0	418
07:45	0	91	13	0	0	0	0	0	98	134	0	0	122	5	92	0	555
Total	0	332	51	0	0	0	0	0	408	419	0	0	285	11	224	0	1730
08:00	0	83	24	0	0	0	0	0	78	133	1	0	108	13	95	0	535
08:15	0	93	23	0	0	0	0	0	39	122	0	0	106	11	88	0	482
08:30	0	62	23	0	0	0	0	0	56	112	0	0	101	7	81	0	442
08:45	0	63	31	0	0	0	0	0	63	91	0	0	71	7	65	0	391
Total	0	301	101	0	0	0	0	0	236	458	1	0	386	38	329	0	1850
***** BREAK*****																	
11:00	0	66	50	0	0	0	0	0	56	80	0	0	43	2	65	0	362
11:15	0	74	41	0	0	0	0	0	48	99	0	0	57	1	75	0	395
11:30	0	74	59	0	0	0	0	0	40	101	0	0	52	4	92	0	422
11:45	0	81	47	0	0	0	0	0	46	105	0	0	52	1	61	0	393
Total	0	295	197	0	0	0	0	0	190	385	0	0	204	8	293	0	1572
12:00	0	80	49	0	0	0	0	0	49	101	0	0	60	0	50	0	389
12:15	0	87	44	0	0	0	0	0	58	94	0	0	51	2	87	0	423
12:30	0	90	48	0	0	0	0	0	53	94	0	0	73	0	74	0	432
12:45	0	112	41	0	0	0	0	0	49	100	0	0	53	0	73	0	428
Total	0	369	182	0	0	0	0	0	209	389	0	0	237	2	284	0	1672
13:00	0	78	52	0	0	0	0	0	54	98	0	0	35	1	71	0	389
13:15	0	85	62	0	0	0	0	0	49	73	0	0	54	0	71	0	394
***** BREAK*****																	
Total	0	163	114	0	0	0	0	0	103	171	0	0	89	1	142	0	783
***** BREAK*****																	
15:00	0	89	53	0	0	0	0	0	66	116	0	0	42	1	48	0	415
15:15	0	77	42	0	0	0	0	0	63	114	0	0	34	1	40	0	371
15:30	0	104	43	0	0	0	0	0	64	121	0	0	49	2	51	0	434
15:45	0	95	40	0	0	0	0	0	62	116	0	0	55	2	58	0	428
Total	0	365	178	0	0	0	0	0	255	467	0	0	180	6	197	0	1648
16:00	0	115	52	0	0	0	0	0	67	152	0	0	54	2	51	0	493
16:15	0	109	38	0	0	0	0	0	55	136	0	0	61	5	62	0	466
16:30	0	129	28	0	0	0	0	0	74	165	0	0	71	0	44	0	511
16:45	0	120	41	0	0	0	0	0	62	175	0	0	61	2	56	0	517
Total	0	473	159	0	0	0	0	0	258	628	0	0	247	9	213	0	1987
17:00	0	137	38	0	0	0	0	0	73	205	0	0	63	1	56	0	573
17:15	0	163	23	0	0	0	0	0	49	154	0	0	92	3	66	0	550
17:30	0	143	26	0	2	0	0	0	46	153	0	0	68	0	47	0	485
17:45	0	154	28	0	0	0	0	0	50	133	0	0	91	0	34	0	490
Total	0	597	115	0	2	0	0	0	218	645	0	0	314	4	203	0	2098



MINNESOTA DEPT OF TRANSPORTATION

TRAFFIC DATA COLLECTION - METRO

I-394 at Louisiana Ave., South Ramps
 Ref.Pt.: 004.455
 video MD
 TURN MOVEMENT COUNT

File Name : I-394 at Louisiana Ave SOUTH RAMPS 2014
 Site Code :
 Start Date : 2/5/2014
 Page No : 2

Groups Printed- Cars +

	Louisiana Ave Southbound				ramp to I-394 EB Westbound				Louisiana Ave Northbound				ramp from I-394 EB Eastbound				Int. Total
	Right	Thru	Left	Peds	Right	Thru	Left	Peds	Right	Thru	Left	Peds	Right	Thru	Left	Peds	
Grand Total	0	3067	1154	0	5	1	0	0	2084	3725	1	0	2080	84	2012	0	14213
Apprch %	0	72.7	27.3	0	83.3	16.7	0	0	35.9	64.1	0	0	49.8	2	48.2	0	
Total %	0	21.6	8.1	0	0	0	0	0	14.7	26.2	0	0	14.6	0.6	14.2	0	



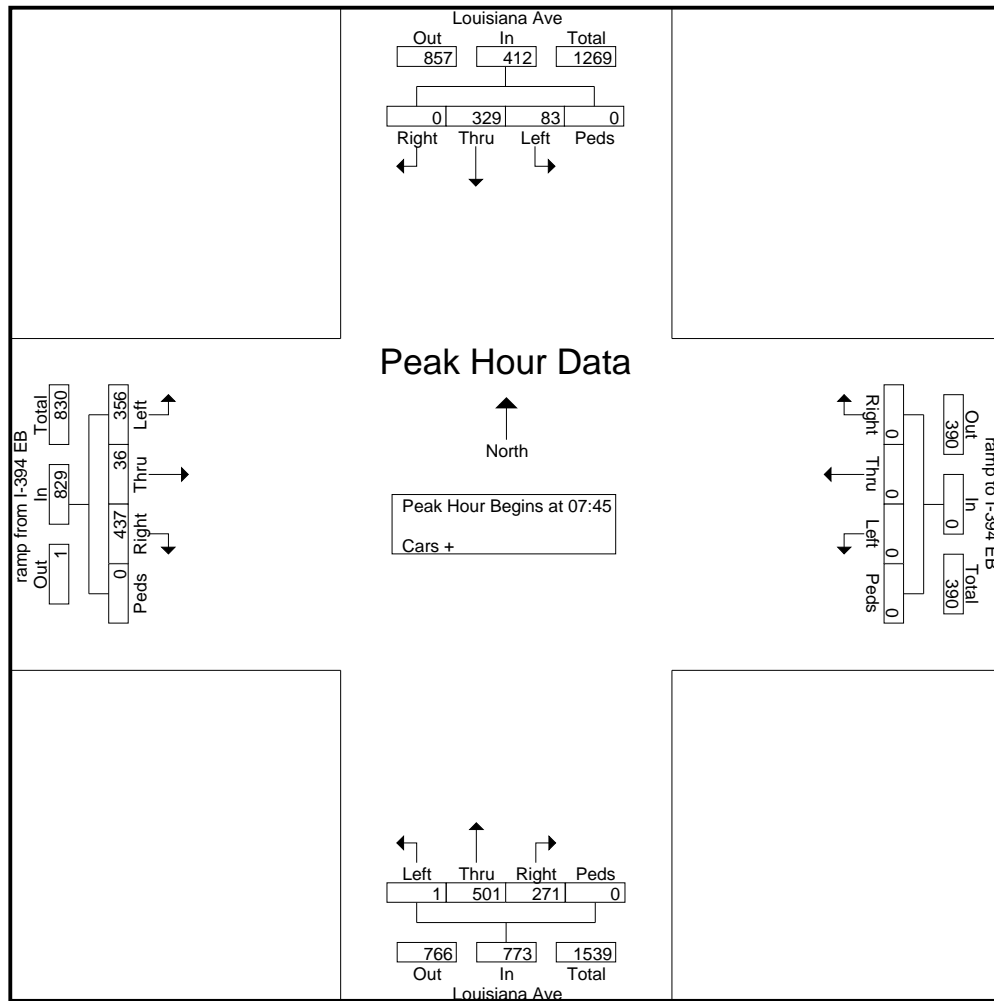
MINNESOTA DEPT OF TRANSPORTATION

TRAFFIC DATA COLLECTION - METRO

I-394 at Louisiana Ave., South Ramps
 Ref.Pt.: 004.455
 video MD
 TURN MOVEMENT COUNT

File Name : I-394 at Louisiana Ave SOUTH RAMPS 2014
 Site Code :
 Start Date : 2/5/2014
 Page No : 3

Start Time	Louisiana Ave Southbound					ramp to I-394 EB Westbound					Louisiana Ave Northbound					ramp from I-394 EB Eastbound					Int. Total
	Right	Thru	Left	Peds	App. Total	Right	Thru	Left	Peds	App. Total	Right	Thru	Left	Peds	App. Total	Right	Thru	Left	Peds	App. Total	
Peak Hour Analysis From 06:00 to 08:45 - Peak 1 of 1																					
Peak Hour for Entire Intersection Begins at 07:45																					
07:45	0	91	13	0	104	0	0	0	0	0	98	134	0	0	232	122	5	92	0	219	555
08:00	0	83	24	0	107	0	0	0	0	0	78	133	1	0	212	108	13	95	0	216	535
08:15	0	93	23	0	116	0	0	0	0	0	39	122	0	0	161	106	11	88	0	205	482
08:30	0	62	23	0	85	0	0	0	0	0	56	112	0	0	168	101	7	81	0	189	442
Total Volume	0	329	83	0	412	0	0	0	0	0	271	501	1	0	773	437	36	356	0	829	2014
% App. Total	0	79.9	20.1	0		0	0	0	0		35.1	64.8	0.1	0		52.7	4.3	42.9	0		
PHF	.000	.884	.865	.000	.888	.000	.000	.000	.000	.000	.691	.935	.250	.000	.833	.895	.692	.937	.000	.946	.907





MINNESOTA DEPT OF TRANSPORTATION

TRAFFIC DATA COLLECTION - METRO

I-394 at Louisiana Ave., South Ramps
 Ref.Pt.: 004.455
 video MD
 TURN MOVEMENT COUNT

File Name : I-394 at Louisiana Ave SOUTH RAMPS 2014
 Site Code :
 Start Date : 2/5/2014
 Page No : 4

Start Time	Louisiana Ave Southbound					ramp to I-394 EB Westbound					Louisiana Ave Northbound					ramp from I-394 EB Eastbound					Int. Total
	Right	Thru	Left	Peds	App. Total	Right	Thru	Left	Peds	App. Total	Right	Thru	Left	Peds	App. Total	Right	Thru	Left	Peds	App. Total	
Peak Hour Analysis From 15:00 to 17:45 - Peak 1 of 1																					
Peak Hour for Entire Intersection Begins at 16:30																					
16:30	0	129	28	0	157	0	0	0	0	0	74	165	0	0	239	71	0	44	0	115	511
16:45	0	120	41	0	161	0	0	0	0	0	62	175	0	0	237	61	2	56	0	119	517
17:00	0	137	38	0	175	0	0	0	0	0	73	205	0	0	278	63	1	56	0	120	573
17:15	0	163	23	0	186	0	0	0	0	0	49	154	0	0	203	92	3	66	0	161	550
Total Volume	0	549	130	0	679	0	0	0	0	0	258	699	0	0	957	287	6	222	0	515	2151
% App. Total	0	80.9	19.1	0		0	0	0	0	0	27	73	0	0		55.7	1.2	43.1	0		
PHF	.000	.842	.793	.000	.913	.000	.000	.000	.000	.000	.872	.852	.000	.000	.861	.780	.500	.841	.000	.800	.938

