

ALLIANT ENGINEERING, INC.

733 S Marquette Ave #700, Minneapolis, MN 55402

Louisiana Ave & Wayzata Blvd_2021
 City: St. Louis Park
 data by: Alliant Engineering, Inc.
 TURN MOVEMENT COUNT

File Name : Louisiana Ave & Wayzata Blvd_2021
 Site Code : 1735819
 Start Date : 10/27/2021
 Page No : 1

Groups Printed- Cars - Trucks

Start Time	Louisiana Ave Southbound					Wayzata Blvd Westbound					Louisiana Ave Northbound					Wayzata Blvd Eastbound					Int. Total	
	Left	Thru	Right	Peds	App. Total	Left	Thru	Right	Peds	App. Total	Left	Thru	Right	Peds	App. Total	Left	Thru	Right	Peds	App. Total		
12:00 AM	2	7	1	0	10	0	0	2	0	2	1	6	0	0	7	0	0	1	0	1	1	20
12:15 AM	2	7	2	0	11	0	0	4	0	4	0	11	0	0	11	0	0	0	0	0	0	26
12:30 AM	1	11	0	0	12	0	0	3	0	3	0	2	2	0	4	3	0	1	0	4	4	23
12:45 AM	2	6	2	0	10	0	0	2	0	2	1	4	1	0	6	0	0	1	0	1	1	19
Total	7	31	5	0	43	0	0	11	0	11	2	23	3	0	28	3	0	3	0	6	6	88
01:00 AM	1	8	0	0	9	0	0	2	0	2	0	3	0	0	3	2	0	0	0	2	2	16
01:15 AM	3	2	0	0	5	0	0	0	0	0	1	1	0	0	2	0	1	0	0	1	1	8
01:30 AM	1	4	2	0	7	0	1	1	0	2	0	3	0	0	3	1	0	0	0	1	1	13
01:45 AM	0	5	0	0	5	0	0	0	0	0	0	2	0	0	2	0	0	0	0	0	0	7
Total	5	19	2	0	26	0	1	3	0	4	1	9	0	0	10	3	1	0	0	4	4	44
02:00 AM	0	4	0	0	4	0	0	1	0	1	0	4	2	0	6	1	0	1	0	2	2	13
02:15 AM	1	4	1	0	6	0	1	0	0	1	0	6	0	0	6	0	0	0	0	0	0	13
02:30 AM	1	3	0	0	4	0	0	1	0	1	0	6	0	0	6	2	1	0	0	3	3	14
02:45 AM	0	3	1	0	4	0	0	2	0	2	0	4	2	0	6	1	0	0	0	1	1	13
Total	2	14	2	0	18	0	1	4	0	5	0	20	4	0	24	4	1	1	0	6	6	53
03:00 AM	0	2	0	0	2	1	0	0	0	1	1	2	0	0	3	1	0	2	0	3	3	9
03:15 AM	0	4	0	0	4	0	0	2	0	2	0	2	0	0	2	0	0	0	0	0	0	8
03:30 AM	2	4	1	0	7	0	0	1	0	1	0	6	0	0	6	1	0	0	0	1	1	15
03:45 AM	1	8	0	0	9	0	0	1	0	1	0	5	0	0	5	1	0	0	0	1	1	16
Total	3	18	1	0	22	1	0	4	0	5	1	15	0	0	16	3	0	2	0	5	5	48
04:00 AM	1	3	1	0	5	0	0	2	0	2	0	4	0	0	4	3	0	0	0	3	3	14
04:15 AM	5	1	0	0	6	0	0	1	0	1	0	7	0	0	7	0	0	1	0	1	1	15
04:30 AM	3	5	0	0	8	0	0	0	0	0	0	11	0	0	11	0	1	0	0	1	1	20
04:45 AM	4	11	0	0	15	0	0	3	0	3	1	9	0	0	10	0	0	0	0	0	0	28
Total	13	20	1	0	34	0	0	6	0	6	1	31	0	0	32	3	1	1	0	5	5	77
05:00 AM	2	7	0	0	9	0	0	6	0	6	1	10	0	0	11	1	0	0	0	1	1	27
05:15 AM	3	12	1	0	16	0	0	5	0	5	0	13	1	0	14	3	2	1	0	6	6	41
05:30 AM	8	18	7	1	34	1	0	10	0	11	0	30	1	0	31	2	2	2	0	6	6	82
05:45 AM	17	30	2	0	49	0	0	11	0	11	1	24	0	0	25	5	0	1	0	6	6	91
Total	30	67	10	1	108	1	0	32	0	33	2	77	2	0	81	11	4	4	0	19	19	241
06:00 AM	12	21	6	0	39	0	2	18	0	20	2	28	4	0	34	6	1	3	0	10	10	103
06:15 AM	11	23	1	1	36	3	0	19	0	22	2	33	2	0	37	10	0	5	0	15	15	110
06:30 AM	19	45	8	0	72	2	0	23	0	25	1	55	2	0	58	8	6	7	0	21	21	176
06:45 AM	29	67	14	0	110	0	5	29	0	34	2	55	2	0	59	15	4	8	0	27	27	230
Total	71	156	29	1	257	5	7	89	0	101	7	171	10	0	188	39	11	23	0	73	73	619
07:00 AM	16	36	15	0	67	0	1	33	0	34	3	86	3	1	93	30	6	7	0	43	43	237
07:15 AM	29	34	28	0	91	1	9	38	0	48	4	77	5	1	87	23	7	8	0	38	38	264
07:30 AM	41	60	26	0	127	4	9	51	0	64	10	96	9	0	115	33	3	6	0	42	42	348
07:45 AM	38	59	33	0	130	5	2	42	0	49	6	129	5	0	140	24	13	16	0	53	53	372
Total	124	189	102	0	415	10	21	164	0	195	23	388	22	2	435	110	29	37	0	176	176	1221
08:00 AM	47	60	32	0	139	3	6	34	0	43	8	105	8	1	122	27	12	10	1	50	50	354
08:15 AM	41	51	30	0	122	3	5	47	0	55	3	79	5	0	87	34	7	10	0	51	51	315
08:30 AM	30	52	29	0	111	3	2	25	0	30	6	80	8	0	94	27	11	6	0	44	44	279
08:45 AM	47	60	31	0	138	2	10	43	0	55	5	71	6	0	82	31	12	14	0	57	57	332
Total	165	223	122	0	510	11	23	149	0	183	22	335	27	1	385	119	42	40	1	202	202	1280
09:00 AM	52	46	26	0	124	3	5	31	0	39	5	50	7	1	63	32	8	11	0	51	51	277

ALLIANT ENGINEERING, INC.

733 S Marquette Ave #700, Minneapolis, MN 55402

Louisiana Ave & Wayzata Blvd_2021
 City: St. Louis Park
 data by: Alliant Engineering, Inc.
 TURN MOVEMENT COUNT

File Name : Louisiana Ave & Wayzata Blvd_2021
 Site Code : 1735819
 Start Date : 10/27/2021
 Page No : 2

Groups Printed- Cars - Trucks

Start Time	Louisiana Ave Southbound					Wayzata Blvd Westbound					Louisiana Ave Northbound					Wayzata Blvd Eastbound					Int. Total
	Left	Thru	Right	Peds	App. Total	Left	Thru	Right	Peds	App. Total	Left	Thru	Right	Peds	App. Total	Left	Thru	Right	Peds	App. Total	
09:15 AM	40	62	28	1	131	4	5	30	0	39	4	47	3	1	55	24	7	5	0	36	261
09:30 AM	35	55	19	0	109	1	13	36	0	50	7	62	2	2	73	24	11	8	0	43	275
09:45 AM	64	80	18	0	162	1	4	36	1	42	6	59	8	0	73	19	11	7	0	37	314
Total	191	243	91	1	526	9	27	133	1	170	22	218	20	4	264	99	37	31	0	167	1127
10:00 AM	52	57	12	0	121	8	3	45	0	56	7	57	4	0	68	19	8	6	0	33	278
10:15 AM	30	53	14	0	97	4	6	48	0	58	7	63	4	0	74	17	11	8	0	36	265
10:30 AM	33	43	11	0	87	4	7	33	0	44	7	59	6	0	72	15	10	5	0	30	233
10:45 AM	37	50	12	0	99	2	12	52	0	66	9	64	5	1	79	18	9	2	0	29	273
Total	152	203	49	0	404	18	28	178	0	224	30	243	19	1	293	69	38	21	0	128	1049
11:00 AM	41	62	15	0	118	2	8	40	1	51	6	59	14	0	79	20	8	3	0	31	279
11:15 AM	42	60	15	0	117	10	15	63	0	88	10	64	7	0	81	22	14	10	0	46	332
11:30 AM	46	46	17	0	109	6	16	54	0	76	7	57	5	0	69	27	15	10	1	53	307
11:45 AM	69	54	11	0	134	7	15	47	0	69	4	68	3	0	75	22	24	8	0	54	332
Total	198	222	58	0	478	25	54	204	1	284	27	248	29	0	304	91	61	31	1	184	1250
12:00 PM	63	80	12	0	155	12	9	62	0	83	10	77	14	0	101	22	16	13	0	51	390
12:15 PM	47	64	18	0	129	7	12	62	0	81	10	76	13	0	99	16	15	19	0	50	359
12:30 PM	52	71	15	0	138	7	16	50	0	73	6	72	10	0	88	17	16	5	0	38	337
12:45 PM	56	73	27	0	156	7	22	59	0	88	8	69	10	0	87	31	20	18	0	69	400
Total	218	288	72	0	578	33	59	233	0	325	34	294	47	0	375	86	67	55	0	208	1486
01:00 PM	63	70	13	0	146	9	13	54	0	76	5	71	10	1	87	20	11	6	1	38	347
01:15 PM	58	66	13	0	137	13	16	58	1	88	16	63	4	0	83	22	12	13	0	47	355
01:30 PM	55	62	22	0	139	5	13	59	0	77	6	70	14	0	90	22	13	12	0	47	353
01:45 PM	46	66	18	3	133	5	13	65	0	83	9	67	5	0	81	15	9	11	0	35	332
Total	222	264	66	3	555	32	55	236	1	324	36	271	33	1	341	79	45	42	1	167	1387
02:00 PM	42	68	20	1	131	5	11	53	0	69	6	80	6	0	92	20	9	7	0	36	328
02:15 PM	43	91	13	0	147	10	6	65	0	81	7	78	5	0	90	16	9	15	2	42	360
02:30 PM	42	62	21	0	125	6	11	40	0	57	5	83	12	0	100	25	15	7	0	47	329
02:45 PM	54	92	22	0	168	7	12	65	1	85	7	67	4	0	78	18	9	11	0	38	369
Total	181	313	76	1	571	28	40	223	1	292	25	308	27	0	360	79	42	40	2	163	1386
03:00 PM	24	69	14	0	107	10	12	68	0	90	4	79	12	0	95	21	10	7	1	39	331
03:15 PM	35	71	23	0	129	2	19	64	0	85	7	86	7	0	100	23	18	6	0	47	361
03:30 PM	36	78	24	0	138	7	9	69	1	86	10	98	6	0	114	26	8	3	0	37	375
03:45 PM	48	90	31	0	169	4	14	52	1	71	15	77	5	0	97	26	13	9	0	48	385
Total	143	308	92	0	543	23	54	253	2	332	36	340	30	0	406	96	49	25	1	171	1452
04:00 PM	49	115	26	0	190	10	11	67	0	88	12	95	8	0	115	59	16	12	0	87	480
04:15 PM	50	120	21	0	191	9	23	69	0	101	16	87	8	0	111	17	9	14	0	40	443
04:30 PM	31	129	25	0	185	13	20	74	0	107	15	94	8	0	117	22	29	26	0	77	486
04:45 PM	40	150	22	0	212	11	17	72	0	100	15	95	7	0	117	14	9	24	0	47	476
Total	170	514	94	0	778	43	71	282	0	396	58	371	31	0	460	112	63	76	0	251	1885
05:00 PM	47	166	25	2	240	11	13	77	0	101	12	108	9	0	129	40	24	33	0	97	567
05:15 PM	55	140	30	0	225	9	19	75	0	103	9	99	14	0	122	36	25	23	0	84	534
05:30 PM	38	116	25	1	180	9	14	60	0	83	9	97	9	1	116	30	20	28	0	78	457
05:45 PM	42	97	29	0	168	6	11	59	0	76	10	77	12	0	99	26	19	10	0	55	398
Total	182	519	109	3	813	35	57	271	0	363	40	381	44	1	466	132	88	94	0	314	1956
06:00 PM	56	99	11	1	167	10	12	58	0	80	6	78	9	0	93	29	20	14	0	63	403
06:15 PM	40	88	20	0	148	5	11	49	0	65	2	78	6	0	86	21	13	16	0	50	349
06:30 PM	32	83	13	0	128	6	8	51	0	65	6	62	13	0	81	9	9	13	0	31	305
06:45 PM	37	69	23	0	129	12	12	56	0	80	5	50	8	0	63	22	9	8	0	39	311
Total	165	339	67	1	572	33	43	214	0	290	19	268	36	0	323	81	51	51	0	183	1368

ALLIANT ENGINEERING, INC.

733 S Marquette Ave #700, Minneapolis, MN 55402

Louisiana Ave & Wayzata Blvd_2021
 City: St. Louis Park
 data by: Alliant Engineering, Inc.
 TURN MOVEMENT COUNT

File Name : Louisiana Ave & Wayzata Blvd_2021
 Site Code : 1735819
 Start Date : 10/27/2021
 Page No : 3

Groups Printed- Cars - Trucks

Start Time	Louisiana Ave Southbound					Wayzata Blvd Westbound					Louisiana Ave Northbound					Wayzata Blvd Eastbound					Int. Total
	Left	Thru	Right	Peds	App. Total	Left	Thru	Right	Peds	App. Total	Left	Thru	Right	Peds	App. Total	Left	Thru	Right	Peds	App. Total	
07:00 PM	44	66	7	0	117	4	13	45	0	62	8	42	7	0	57	17	11	3	0	31	267
07:15 PM	30	62	9	0	101	7	8	53	0	68	4	52	8	0	64	7	2	6	0	15	248
07:30 PM	24	59	18	0	101	5	7	43	0	55	4	49	3	0	56	9	11	3	0	23	235
07:45 PM	27	51	14	0	92	6	5	24	0	35	6	32	6	0	44	8	4	4	0	16	187
Total	125	238	48	0	411	22	33	165	0	220	22	175	24	0	221	41	28	16	0	85	937
08:00 PM	22	60	9	0	91	7	5	44	0	56	1	39	8	0	48	12	4	3	0	19	214
08:15 PM	23	48	13	0	84	1	7	16	0	24	3	27	2	0	32	8	4	4	0	16	156
08:30 PM	19	40	9	0	68	3	6	27	0	36	0	37	4	0	41	5	5	4	0	14	159
08:45 PM	10	36	8	0	54	4	3	29	0	36	3	44	4	0	51	4	6	1	0	11	152
Total	74	184	39	0	297	15	21	116	0	152	7	147	18	0	172	29	19	12	0	60	681
09:00 PM	19	28	6	0	53	3	1	17	0	21	1	26	6	0	33	8	5	4	0	17	124
09:15 PM	19	33	3	0	55	3	1	15	0	19	1	27	2	0	30	1	4	2	0	7	111
09:30 PM	7	32	8	0	47	2	2	12	0	16	1	17	2	0	20	3	4	3	0	10	93
09:45 PM	17	30	9	0	56	1	4	9	0	14	1	31	1	0	33	1	1	4	0	6	109
Total	62	123	26	0	211	9	8	53	0	70	4	101	11	0	116	13	14	13	0	40	437
10:00 PM	11	28	5	0	44	3	3	13	0	19	1	32	1	0	34	3	0	2	0	5	102
10:15 PM	18	28	5	0	51	1	2	9	0	12	2	19	3	0	24	2	1	2	0	5	92
10:30 PM	11	22	5	0	38	2	1	9	0	12	0	14	1	0	15	7	1	0	0	8	73
10:45 PM	3	22	3	0	28	1	2	10	0	13	1	15	2	0	18	2	1	0	0	3	62
Total	43	100	18	0	161	7	8	41	0	56	4	80	7	0	91	14	3	4	0	21	329
11:00 PM	5	17	1	0	23	1	0	6	0	7	1	15	1	0	17	4	0	1	0	5	52
11:15 PM	1	16	0	0	17	2	0	4	0	6	1	17	0	0	18	1	0	0	0	1	42
11:30 PM	3	15	1	0	19	0	0	3	0	3	0	16	0	0	16	0	1	2	0	3	41
11:45 PM	4	13	3	0	20	0	0	4	0	4	0	4	1	0	5	3	0	0	0	3	32
Total	13	61	5	0	79	3	0	17	0	20	2	52	2	0	56	8	1	3	0	12	167
Grand Total	2559	4656	1184	11	8410	363	611	3081	6	4061	425	4566	446	10	5447	1324	695	625	6	2650	20568
Apprch %	30.4	55.4	14.1	0.1		8.9	15	75.9	0.1		7.8	83.8	8.2	0.2		50	26.2	23.6	0.2		
Total %	12.4	22.6	5.8	0.1	40.9	1.8	3	15	0	19.7	2.1	22.2	2.2	0	26.5	6.4	3.4	3	0	12.9	
Cars	2472	4495	1126	6	8099	358	587	3005	3	3953	382	4387	441	9	5219	1269	682	569	4	2524	19795
% Cars	96.6	96.5	95.1	54.5	96.3	98.6	96.1	97.5	50	97.3	89.9	96.1	98.9	90	95.8	95.8	98.1	91	66.7	95.2	96.2
Trucks	87	161	58	5	311	5	24	76	3	108	43	179	5	1	228	55	13	56	2	126	773
% Trucks	3.4	3.5	4.9	45.5	3.7	1.4	3.9	2.5	50	2.7	10.1	3.9	1.1	10	4.2	4.2	1.9	9	33.3	4.8	3.8

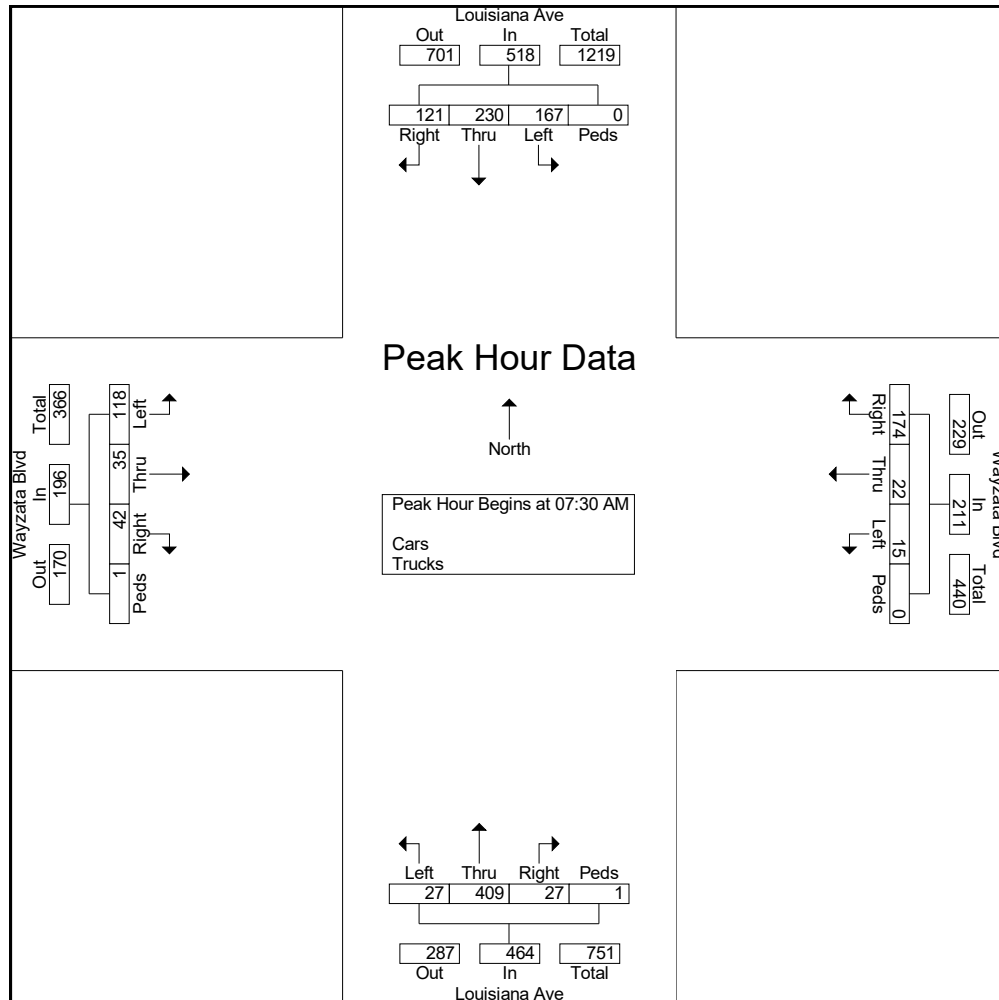
ALLIANT ENGINEERING, INC.

733 S Marquette Ave #700, Minneapolis, MN 55402

Louisiana Ave & Wayzata Blvd_2021
 City: St. Louis Park
 data by: Alliant Engineering, Inc.
 TURN MOVEMENT COUNT

File Name : Louisiana Ave & Wayzata Blvd_2021
 Site Code : 1735819
 Start Date : 10/27/2021
 Page No : 4

Start Time	Louisiana Ave Southbound					Wayzata Blvd Westbound					Louisiana Ave Northbound					Wayzata Blvd Eastbound					Int. Total
	Left	Thru	Right	Peds	App. Total	Left	Thru	Right	Peds	App. Total	Left	Thru	Right	Peds	App. Total	Left	Thru	Right	Peds	App. Total	
Peak Hour Analysis From 12:00 AM to 09:45 AM - Peak 1 of 1																					
Peak Hour for Entire Intersection Begins at 07:30 AM																					
07:30 AM	41	60	26	0	127	4	9	51	0	64	10	96	9	0	115	33	3	6	0	42	348
07:45 AM	38	59	33	0	130	5	2	42	0	49	6	129	5	0	140	24	13	16	0	53	372
08:00 AM	47	60	32	0	139	3	6	34	0	43	8	105	8	1	122	27	12	10	1	50	354
08:15 AM	41	51	30	0	122	3	5	47	0	55	3	79	5	0	87	34	7	10	0	51	315
Total Volume	167	230	121	0	518	15	22	174	0	211	27	409	27	1	464	118	35	42	1	196	1389
% App. Total	32.2	44.4	23.4	0		7.1	10.4	82.5	0		5.8	88.1	5.8	0.2		60.2	17.9	21.4	0.5		
PHF	.888	.958	.917	.000	.932	.750	.611	.853	.000	.824	.675	.793	.750	.250	.829	.868	.673	.656	.250	.925	.933



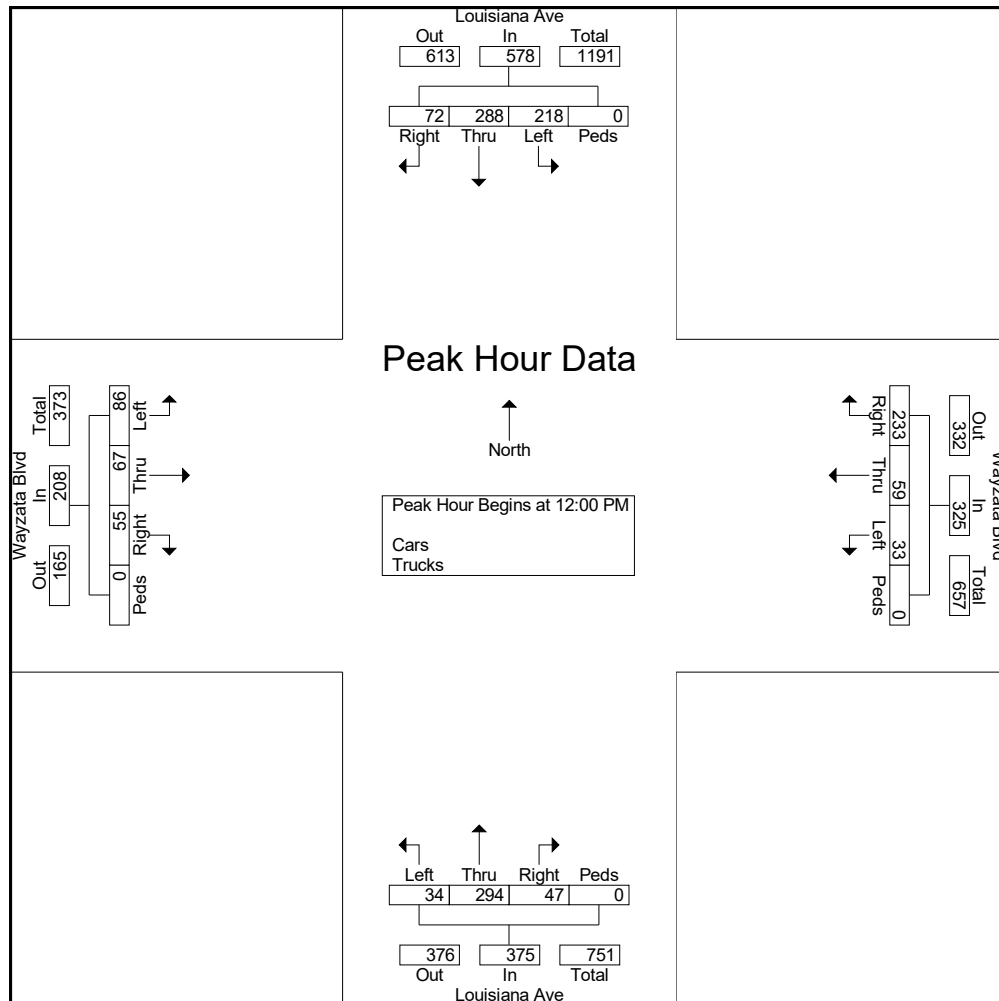
ALLIANT ENGINEERING, INC.

733 S Marquette Ave #700, Minneapolis, MN 55402

Louisiana Ave & Wayzata Blvd_2021
 City: St. Louis Park
 data by: Alliant Engineering, Inc.
 TURN MOVEMENT COUNT

File Name : Louisiana Ave & Wayzata Blvd_2021
 Site Code : 1735819
 Start Date : 10/27/2021
 Page No : 5

Start Time	Louisiana Ave Southbound					Wayzata Blvd Westbound					Louisiana Ave Northbound					Wayzata Blvd Eastbound					Int. Total
	Left	Thru	Right	Peds	App. Total	Left	Thru	Right	Peds	App. Total	Left	Thru	Right	Peds	App. Total	Left	Thru	Right	Peds	App. Total	
Peak Hour Analysis From 10:00 AM to 01:45 PM - Peak 1 of 1																					
Peak Hour for Entire Intersection Begins at 12:00 PM																					
12:00 PM	63	80	12	0	155	12	9	62	0	83	10	77	14	0	101	22	16	13	0	51	390
12:15 PM	47	64	18	0	129	7	12	62	0	81	10	76	13	0	99	16	15	19	0	50	359
12:30 PM	52	71	15	0	138	7	16	50	0	73	6	72	10	0	88	17	16	5	0	38	337
12:45 PM	56	73	27	0	156	7	22	59	0	88	8	69	10	0	87	31	20	18	0	69	400
Total Volume	218	288	72	0	578	33	59	233	0	325	34	294	47	0	375	86	67	55	0	208	1486
% App. Total	37.7	49.8	12.5	0		10.2	18.2	71.7	0		9.1	78.4	12.5	0		41.3	32.2	26.4	0		
PHF	.865	.900	.667	.000	.926	.688	.670	.940	.000	.923	.850	.955	.839	.000	.928	.694	.838	.724	.000	.754	.929



ALLIANT ENGINEERING, INC.

733 S Marquette Ave #700, Minneapolis, MN 55402

Louisiana Ave & Wayzata Blvd_2021
 City: St. Louis Park
 data by: Alliant Engineering, Inc.
 TURN MOVEMENT COUNT

File Name : Louisiana Ave & Wayzata Blvd_2021
 Site Code : 1735819
 Start Date : 10/27/2021
 Page No : 6

Start Time	Louisiana Ave Southbound					Wayzata Blvd Westbound					Louisiana Ave Northbound					Wayzata Blvd Eastbound					Int. Total
	Left	Thru	Right	Peds	App. Total	Left	Thru	Right	Peds	App. Total	Left	Thru	Right	Peds	App. Total	Left	Thru	Right	Peds	App. Total	
Peak Hour Analysis From 02:00 PM to 11:45 PM - Peak 1 of 1																					
Peak Hour for Entire Intersection Begins at 04:30 PM																					
04:30 PM	31	129	25	0	185	13	20	74	0	107	15	94	8	0	117	22	29	26	0	77	486
04:45 PM	40	150	22	0	212	11	17	72	0	100	15	95	7	0	117	14	9	24	0	47	476
05:00 PM	47	166	25	2	240	11	13	77	0	101	12	108	9	0	129	40	24	33	0	97	567
05:15 PM	55	140	30	0	225	9	19	75	0	103	9	99	14	0	122	36	25	23	0	84	534
Total Volume	173	585	102	2	862	44	69	298	0	411	51	396	38	0	485	112	87	106	0	305	2063
% App. Total	20.1	67.9	11.8	0.2		10.7	16.8	72.5	0		10.5	81.6	7.8	0		36.7	28.5	34.8	0		
PHF	.786	.881	.850	.250	.898	.846	.863	.968	.000	.960	.850	.917	.679	.000	.940	.700	.750	.803	.000	.786	.910

