

Albeck Gerken, Inc

Transportation Engineers

Traffic Data Collection

Park Place Blvd at 16th St W.
 Ref. Pt.: St Louis Park
 Data by: Albeck Gerken Inc
 TURN MOVEMENT COUNT

File Name : Park Place Blvd at 16th St W 2007
 Site Code : 00182716
 Start Date : 4/10/2007
 Page No : 1

Groups Printed- Unshifted

Start Time	Park Place Blvd. Southbound				commercial entrance Westbound				Park Place Blvd. Northbound				16th St W Eastbound				Int. Total
	Left	Thru	Right	Peds	Left	Thru	Right	Peds	Left	Thru	Right	Peds	Left	Thru	Right	Peds	
06:00	2	43	16	0	0	1	0	0	0	21	1	0	14	0	0	0	98
06:15	2	35	35	0	0	0	1	0	3	27	0	0	10	0	0	0	113
06:30	8	53	54	0	0	0	0	0	5	28	0	0	20	0	1	0	169
06:45	9	86	83	2	0	0	0	0	8	28	2	0	36	1	8	0	263
Total	21	217	188	2	0	1	1	0	16	104	3	0	80	1	9	0	643
07:00	4	89	66	0	0	0	0	1	12	58	0	1	36	0	10	0	277
07:15	6	106	79	1	0	0	0	0	13	40	4	0	66	1	8	0	324
07:30	6	96	87	0	0	2	0	0	10	73	1	0	100	1	11	0	387
07:45	5	112	107	0	0	0	0	0	9	80	2	0	77	2	17	0	411
Total	21	403	339	1	0	2	0	1	44	251	7	1	279	4	46	0	1399
08:00	13	138	96	0	0	0	1	1	8	61	0	0	76	0	17	0	411
08:15	4	113	95	0	0	1	1	0	14	73	1	0	62	1	16	0	381
08:30	5	114	69	0	0	1	0	0	8	60	1	0	52	0	9	0	319
08:45	3	110	67	0	0	0	0	0	8	63	0	0	39	0	14	0	304
Total	25	475	327	0	0	2	2	1	38	257	2	0	229	1	56	0	1415
*** BREAK ***																	
11:00	2	93	111	0	2	0	1	0	12	111	0	0	74	0	7	0	413
11:15	1	105	102	0	0	2	2	0	14	117	0	0	94	0	15	0	452
11:30	3	98	129	0	2	0	2	0	18	101	0	0	100	1	13	0	467
11:45	2	103	145	0	2	1	0	0	16	101	0	2	113	1	19	0	505
Total	8	399	487	0	6	3	5	0	60	430	0	2	381	2	54	0	1837
12:00	6	89	122	0	0	2	2	0	17	125	0	0	119	0	19	0	501
12:15	2	116	136	0	1	1	0	0	13	125	1	2	122	0	19	0	538
12:30	1	110	119	0	0	2	1	4	12	137	1	4	136	0	18	1	546
12:45	1	123	104	0	1	0	0	0	11	113	1	0	133	1	27	0	515
Total	10	438	481	0	2	5	3	4	53	500	3	6	510	1	83	1	2100
*** BREAK ***																	
15:00	0	66	76	0	0	0	11	0	9	117	0	1	87	1	12	0	380
15:15	2	90	74	0	0	0	2	0	7	85	1	0	100	0	10	0	371
15:30	0	85	78	0	0	1	0	1	8	113	0	1	97	1	16	0	401
15:45	0	76	89	0	1	0	0	0	16	116	0	0	116	0	17	0	431
Total	2	317	317	0	1	1	13	1	40	431	1	2	400	2	55	0	1583
16:00	1	73	96	0	0	1	1	0	8	141	0	0	182	0	20	0	523
16:15	0	102	88	0	0	0	0	1	23	96	1	1	92	0	18	0	422
16:30	1	100	109	1	1	2	5	1	8	146	0	0	113	0	20	0	507
16:45	1	106	117	2	3	1	3	1	14	147	0	0	95	0	16	0	506
Total	3	381	410	3	4	4	9	3	53	530	1	1	482	0	74	0	1958
17:00	1	111	96	0	1	2	1	0	14	156	0	1	131	1	18	1	534
17:15	2	118	124	0	6	0	2	0	19	144	0	0	108	1	20	0	544
17:30	1	84	105	0	2	0	1	0	20	138	0	0	122	2	33	0	508
17:45	1	99	115	0	0	0	1	0	14	121	0	0	106	0	16	0	473
Total	5	412	440	0	9	2	5	0	67	559	0	1	467	4	87	1	2059
Grand Total	95	3042	2989	6	22	20	38	10	371	3062	17	13	2828	15	464	2	12994
Apprch %	1.5	49.6	48.7	0.1	24.4	22.2	42.2	11.1	10.7	88.4	0.5	0.4	85.5	0.5	14	0.1	
Total %	0.7	23.4	23	0	0.2	0.2	0.3	0.1	2.9	23.6	0.1	0.1	21.8	0.1	3.6	0	

Albeck Gerken, Inc

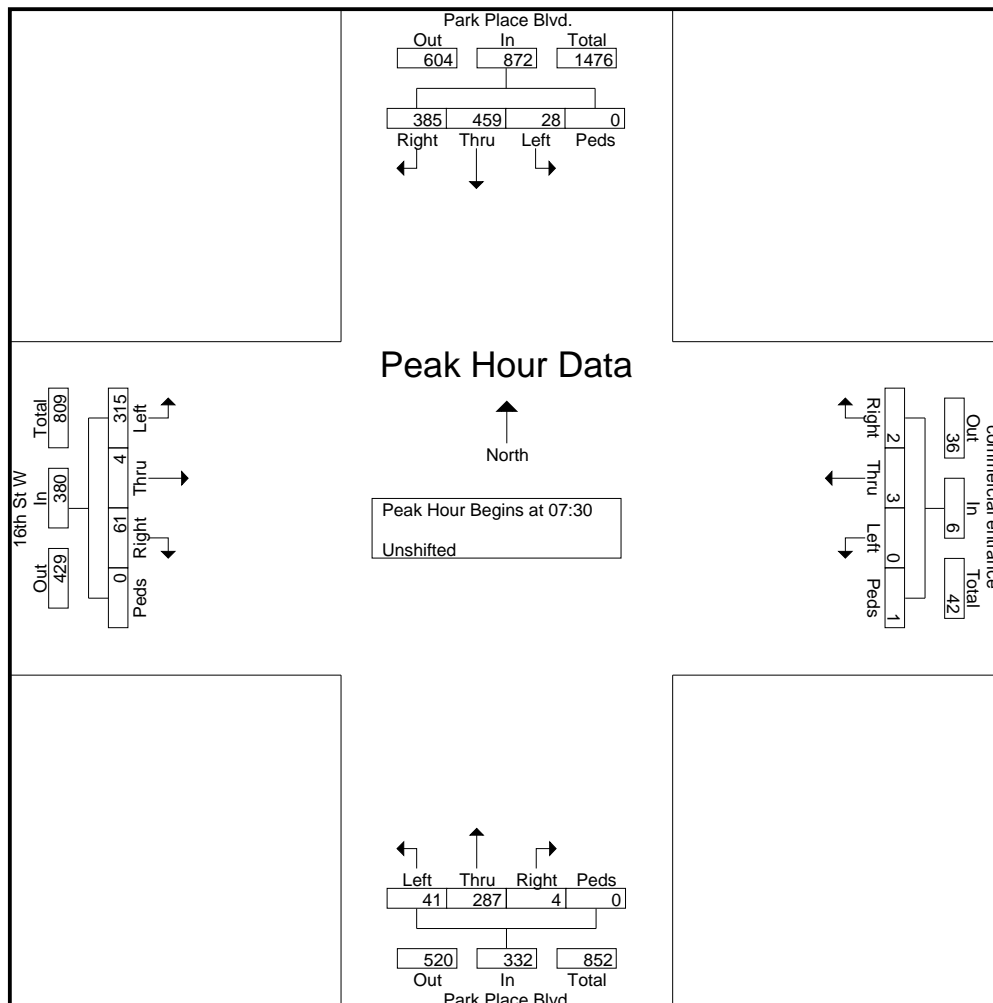
Transportation Engineers

Traffic Data Collection

Park Place Blvd at 16th St W.
 Ref. Pt.: St Louis Park
 Data by: Albeck Gerken Inc
 TURN MOVEMENT COUNT

File Name : Park Place Blvd at 16th St W 2007
 Site Code : 00182716
 Start Date : 4/10/2007
 Page No : 2

Start Time	Park Place Blvd. Southbound					commercial entrance Westbound					Park Place Blvd. Northbound					16th St W Eastbound					Int. Total
	Left	Thru	Right	Peds	App. Total	Left	Thru	Right	Peds	App. Total	Left	Thru	Right	Peds	App. Total	Left	Thru	Right	Peds	App. Total	
Peak Hour Analysis From 06:00 to 08:45 - Peak 1 of 1																					
Peak Hour for Entire Intersection Begins at 07:30																					
07:30	6	96	87	0	189	0	2	0	0	2	10	73	1	0	84	100	1	11	0	112	387
07:45	5	112	107	0	224	0	0	0	0	0	9	80	2	0	91	77	2	17	0	96	411
08:00	13	138	96	0	247	0	0	1	1	2	8	61	0	0	69	76	0	17	0	93	411
08:15	4	113	95	0	212	0	1	1	0	2	14	73	1	0	88	62	1	16	0	79	381
Total Volume	28	459	385	0	872	0	3	2	1	6	41	287	4	0	332	315	4	61	0	380	1590
% App. Total	3.2	52.6	44.2	0		0	50	33.3	16.7		12.3	86.4	1.2	0		82.9	1.1	16.1	0		
PHF	.538	.832	.900	.000	.883	.000	.375	.500	.250	.750	.732	.897	.500	.000	.912	.788	.500	.897	.000	.848	.967



Albeck Gerken, Inc

Transportation Engineers

Traffic Data Collection

Park Place Blvd at 16th St W.
 Ref. Pt.: St Louis Park
 Data by: Albeck Gerken Inc
TURN MOVEMENT COUNT

File Name : Park Place Blvd at 16th St W 2007
 Site Code : 00182716
 Start Date : 4/10/2007
 Page No : 3

Start Time	Park Place Blvd. Southbound					commercial entrance Westbound					Park Place Blvd. Northbound					16th St W Eastbound					Int. Total
	Left	Thru	Right	Peds	App. Total	Left	Thru	Right	Peds	App. Total	Left	Thru	Right	Peds	App. Total	Left	Thru	Right	Peds	App. Total	
Peak Hour Analysis From 15:00 to 17:45 - Peak 1 of 1																					
Peak Hour for Entire Intersection Begins at 16:45																					
16:45	1	106	117	2	226	3	1	3	1	8	14	147	0	0	161	95	0	16	0	111	506
17:00	1	111	96	0	208	1	2	1	0	4	14	156	0	1	171	131	1	18	1	151	534
17:15	2	118	124	0	244	6	0	2	0	8	19	144	0	0	163	108	1	20	0	129	544
17:30	1	84	105	0	190	2	0	1	0	3	20	138	0	0	158	122	2	33	0	157	508
Total Volume	5	419	442	2	868	12	3	7	1	23	67	585	0	1	653	456	4	87	1	548	2092
% App. Total	0.6	48.3	50.9	0.2		52.2	13	30.4	4.3		10.3	89.6	0	0.2		83.2	0.7	15.9	0.2		
PHF	.625	.888	.891	.250	.889	.500	.375	.583	.250	.719	.838	.938	.000	.250	.955	.870	.500	.659	.250	.873	.961

