

MN Dept of Transportation

TRAFFIC DATA COLLECTION - Metro

I-494 at Flying Cloud Drive, SOUTH RAMPS
 Ref.Pt.: 011.430
 video MC
 TURN MOVEMENT COUNT

File Name : i-494 at flying cloud dr south ramps 2016
 Site Code :
 Start Date : 2/24/2016
 Page No : 1

Groups Printed- Cars +

Start Time	Flying Cloud Drive Southbound				ramp to I-494 EB Westbound				Flying Cloud Drive Northbound				Technology Drive Eastbound				Int. Total
	Left	Thru	Right	Peds	Left	Thru	Right	Peds	Left	Thru	Right	Peds	Left	Thru	Right	Peds	
06:00	0	57	15	0	0	0	0	0	4	37	13	0	1	3	5	0	135
06:15	2	83	14	0	0	0	0	0	3	55	22	0	5	4	14	0	202
06:30	2	95	17	0	0	0	0	0	8	84	38	0	3	4	9	0	260
06:45	2	138	22	0	0	0	0	0	11	115	42	0	5	6	24	0	365
Total	6	373	68	0	0	0	0	0	26	291	115	0	14	17	52	0	962
07:00	2	140	35	0	0	0	0	0	6	148	85	0	9	9	19	0	453
07:15	3	180	36	0	0	0	0	0	14	190	95	0	10	13	20	0	561
07:30	4	194	38	0	0	0	0	0	10	228	95	0	16	24	28	0	637
07:45	7	206	42	0	0	0	0	0	21	278	74	0	24	13	17	0	682
Total	16	720	151	0	0	0	0	0	51	844	349	0	59	59	84	0	2333
08:00	7	198	41	0	0	0	0	0	6	195	90	0	14	12	28	0	591
08:15	2	165	42	0	0	0	0	0	17	175	77	0	11	16	23	0	528
08:30	1	161	38	0	0	0	0	0	12	161	70	0	18	15	24	0	500
08:45	6	168	41	0	0	0	0	0	16	151	69	0	16	14	27	0	508
Total	16	692	162	0	0	0	0	0	51	682	306	0	59	57	102	0	2127
09:00	1	158	39	0	0	0	0	0	9	111	76	0	13	10	17	1	435
09:15	1	164	41	0	0	0	0	0	19	109	62	0	5	7	25	0	433
09:30	2	155	30	0	0	0	0	0	17	102	57	0	12	19	22	0	416
09:45	1	126	41	0	0	0	0	0	11	109	62	0	8	12	34	0	404
Total	5	603	151	0	0	0	0	0	56	431	257	0	38	48	98	1	1688
10:00	6	123	41	0	0	0	0	0	22	94	58	0	10	11	16	0	381
10:15	2	127	43	0	0	0	0	0	23	94	60	0	8	15	27	0	399
10:30	7	131	40	0	0	0	0	0	28	115	55	0	6	28	43	0	453
10:45	5	157	44	0	0	0	0	0	44	80	55	0	8	14	37	0	444
Total	20	538	168	0	0	0	0	0	117	383	228	0	32	68	123	0	1677
11:00	4	174	46	0	0	0	0	0	32	105	60	0	19	17	41	0	498
11:15	1	222	54	0	0	0	0	0	27	108	58	1	21	35	48	0	575
11:30	4	257	67	0	0	0	0	0	34	130	85	1	19	21	66	0	684
11:45	4	301	56	0	0	0	0	0	27	164	62	0	25	32	69	0	740
Total	13	954	223	0	0	0	0	0	120	507	265	2	84	105	224	0	2497
12:00	5	270	63	0	0	0	0	0	36	159	91	0	27	28	67	0	746
12:15	5	276	63	0	0	0	0	0	52	185	87	0	29	25	46	0	768
12:30	3	225	61	0	0	0	0	0	48	215	94	0	30	28	64	0	768
12:45	0	209	57	0	0	0	0	0	54	264	111	0	20	30	58	0	803
Total	13	980	244	0	0	0	0	0	190	823	383	0	106	111	235	0	3085
13:00	6	192	47	0	0	0	0	0	41	233	97	0	25	34	75	0	750
13:15	3	217	57	0	0	0	0	0	52	199	92	0	18	33	51	0	722
13:30	2	149	54	0	0	0	0	0	47	163	72	0	19	27	49	0	582
13:45	9	138	48	2	0	0	0	0	60	150	84	0	21	29	40	0	581
Total	20	696	206	2	0	0	0	0	200	745	345	0	83	123	215	0	2635
14:00	3	135	37	0	0	0	0	0	42	121	72	1	16	32	42	0	501
14:15	10	165	50	0	0	0	0	0	36	107	95	0	23	30	37	0	553
14:30	8	157	55	0	0	0	0	0	48	129	108	0	18	40	44	0	607
14:45	2	177	48	0	0	0	0	0	25	123	69	2	17	36	33	0	532
Total	23	634	190	0	0	0	0	0	151	480	344	3	74	138	156	0	2193
15:00	2	148	51	0	0	0	0	0	37	117	85	0	17	23	33	0	513
15:15	8	219	56	0	0	0	0	0	44	145	87	0	22	34	50	0	665
15:30	5	190	54	0	0	0	0	0	36	127	89	0	15	29	36	0	581
15:45	5	227	50	0	0	0	0	0	46	134	82	0	11	33	54	0	642
Total	20	784	211	0	0	0	0	0	163	523	343	0	65	119	173	0	2401

MN Dept of Transportation

TRAFFIC DATA COLLECTION - Metro

I-494 at Flying Cloud Drive, SOUTH RAMPS
 Ref.Pt.: 011.430
 video MC
 TURN MOVEMENT COUNT

File Name : i-494 at flying cloud dr south ramps 2016
 Site Code :
 Start Date : 2/24/2016
 Page No : 2

Groups Printed- Cars +

Start Time	Flying Cloud Drive Southbound				ramp to I-494 EB Westbound				Flying Cloud Drive Northbound				Technology Drive Eastbound				Int. Total
	Left	Thru	Right	Peds	Left	Thru	Right	Peds	Left	Thru	Right	Peds	Left	Thru	Right	Peds	
16:00	3	247	52	0	0	0	0	0	33	127	80	2	16	19	46	1	626
16:15	10	260	62	0	0	0	0	0	38	135	88	0	21	41	64	0	719
16:30	6	281	72	0	0	0	0	0	62	157	82	0	16	26	66	0	768
16:45	5	357	78	0	0	0	0	0	26	160	84	0	15	31	61	0	817
Total	24	1145	264	0	0	0	0	0	159	579	334	2	68	117	237	1	2930
17:00	7	316	75	0	0	0	0	0	51	139	77	0	18	44	49	0	776
17:15	6	434	76	1	0	0	0	0	40	186	106	1	25	32	87	0	994
17:30	5	343	71	0	0	0	0	0	56	143	94	0	27	34	55	0	828
17:45	5	280	59	0	0	0	0	0	63	144	81	0	21	19	75	0	747
Total	23	1373	281	1	0	0	0	0	210	612	358	1	91	129	266	0	3345
Grand Total	199	9492	2319	3	0	0	0	0	1494	6900	3627	8	773	1091	1965	2	27873
Apprch %	1.7	79	19.3	0	0	0	0	0	12.4	57.4	30.2	0.1	20.2	28.5	51.3	0.1	
Total %	0.7	34.1	8.3	0	0	0	0	0	5.4	24.8	13	0	2.8	3.9	7	0	

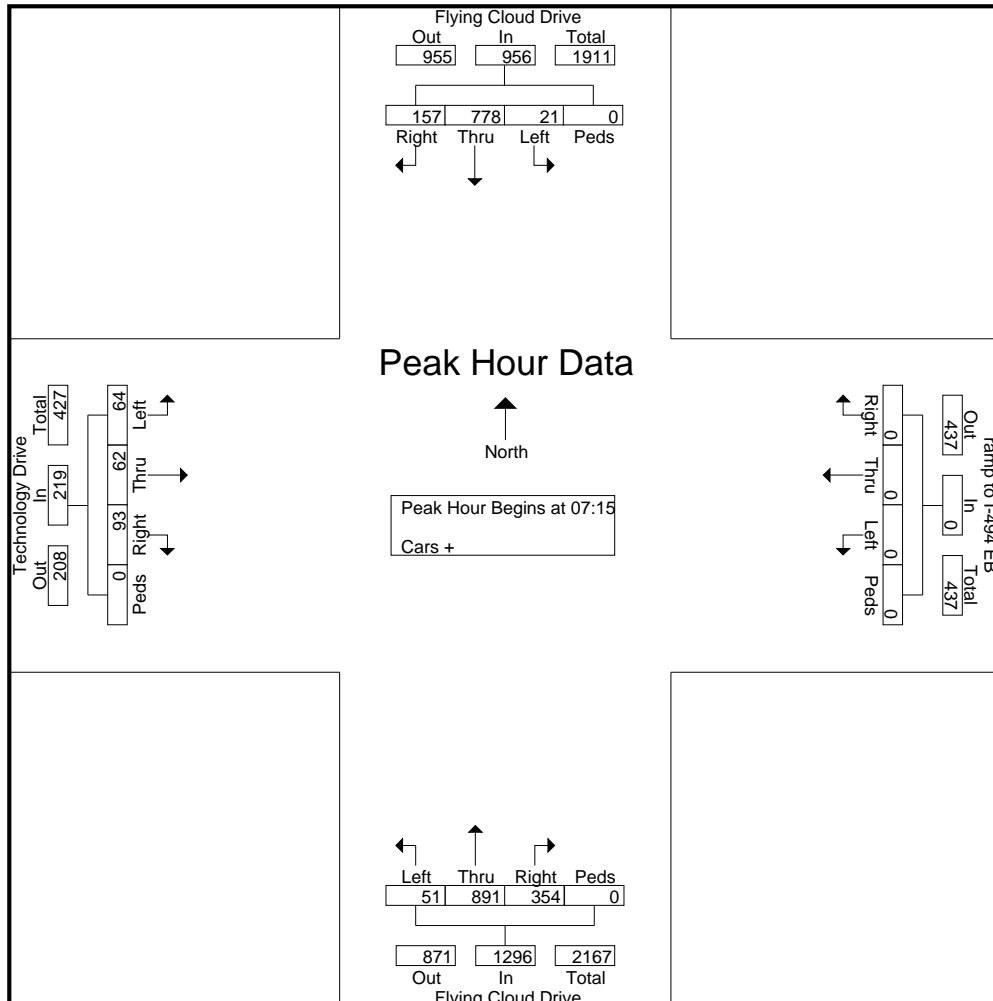
MN Dept of Transportation

TRAFFIC DATA COLLECTION - Metro

I-494 at Flying Cloud Drive, SOUTH RAMPS
 Ref.Pt.: 011.430
 video MC
 TURN MOVEMENT COUNT

File Name : i-494 at flying cloud dr south ramps 2016
 Site Code :
 Start Date : 2/24/2016
 Page No : 3

Start Time	Flying Cloud Drive Southbound					ramp to I-494 EB Westbound					Flying Cloud Drive Northbound					Technology Drive Eastbound					Int. Total
	Left	Thru	Right	Peds	App. Total	Left	Thru	Right	Peds	App. Total	Left	Thru	Right	Peds	App. Total	Left	Thru	Right	Peds	App. Total	
Peak Hour Analysis From 06:00 to 09:45 - Peak 1 of 1																					
Peak Hour for Entire Intersection Begins at 07:15																					
07:15	3	180	36	0	219	0	0	0	0	0	14	190	95	0	299	10	13	20	0	43	561
07:30	4	194	38	0	236	0	0	0	0	0	10	228	95	0	333	16	24	28	0	68	637
07:45	7	206	42	0	255	0	0	0	0	0	21	278	74	0	373	24	13	17	0	54	682
08:00	7	198	41	0	246	0	0	0	0	0	6	195	90	0	291	14	12	28	0	54	591
Total Volume	21	778	157	0	956	0	0	0	0	0	51	891	354	0	1296	64	62	93	0	219	2471
% App. Total	2.2	81.4	16.4	0		0	0	0	0		3.9	68.8	27.3	0		29.2	28.3	42.5	0		
PHF	.750	.944	.935	.000	.937	.000	.000	.000	.000	.000	.607	.801	.932	.000	.869	.667	.646	.830	.000	.805	.906



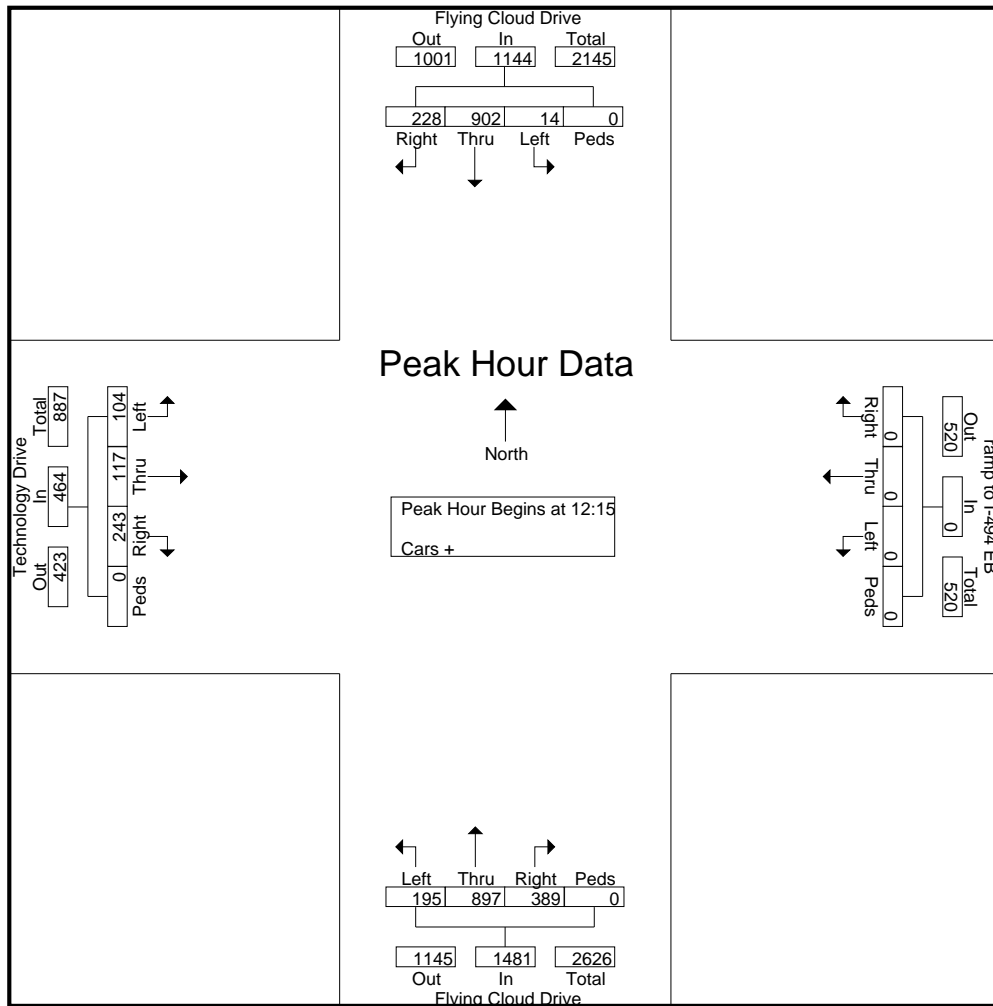
MN Dept of Transportation

TRAFFIC DATA COLLECTION - Metro

I-494 at Flying Cloud Drive, SOUTH RAMPS
 Ref.Pt.: 011.430
 video MC
 TURN MOVEMENT COUNT

File Name : i-494 at flying cloud dr south ramps 2016
 Site Code :
 Start Date : 2/24/2016
 Page No : 4

Start Time	Flying Cloud Drive Southbound					ramp to I-494 EB Westbound					Flying Cloud Drive Northbound					Technology Drive Eastbound					Int. Total
	Left	Thru	Right	Peds	App. Total	Left	Thru	Right	Peds	App. Total	Left	Thru	Right	Peds	App. Total	Left	Thru	Right	Peds	App. Total	
Peak Hour Analysis From 10:00 to 13:45 - Peak 1 of 1																					
Peak Hour for Entire Intersection Begins at 12:15																					
12:15	5	276	63	0	344	0	0	0	0	0	52	185	87	0	324	29	25	46	0	100	768
12:30	3	225	61	0	289	0	0	0	0	0	48	215	94	0	357	30	28	64	0	122	768
12:45	0	209	57	0	266	0	0	0	0	0	54	264	111	0	429	20	30	58	0	108	803
13:00	6	192	47	0	245	0	0	0	0	0	41	233	97	0	371	25	34	75	0	134	750
Total Volume	14	902	228	0	1144	0	0	0	0	0	195	897	389	0	1481	104	117	243	0	464	3089
% App. Total	1.2	78.8	19.9	0		0	0	0	0	0	13.2	60.6	26.3	0		22.4	25.2	52.4	0		
PHF	.583	.817	.905	.000	.831	.000	.000	.000	.000	.000	.903	.849	.876	.000	.863	.867	.860	.810	.000	.866	.962



MN Dept of Transportation

TRAFFIC DATA COLLECTION - Metro

I-494 at Flying Cloud Drive, SOUTH RAMPS
 Ref.Pt.: 011.430
 video MC
 TURN MOVEMENT COUNT

File Name : i-494 at flying cloud dr south ramps 2016
 Site Code :
 Start Date : 2/24/2016
 Page No : 5

Start Time	Flying Cloud Drive Southbound					ramp to I-494 EB Westbound					Flying Cloud Drive Northbound					Technology Drive Eastbound					Int. Total
	Left	Thru	Right	Peds	App. Total	Left	Thru	Right	Peds	App. Total	Left	Thru	Right	Peds	App. Total	Left	Thru	Right	Peds	App. Total	
Peak Hour Analysis From 14:00 to 17:45 - Peak 1 of 1																					
Peak Hour for Entire Intersection Begins at 16:45																					
16:45	5	357	78	0	440	0	0	0	0	0	26	160	84	0	270	15	31	61	0	107	817
17:00	7	316	75	0	398	0	0	0	0	0	51	139	77	0	267	18	44	49	0	111	776
17:15	6	434	76	1	517	0	0	0	0	0	40	186	106	1	333	25	32	87	0	144	994
17:30	5	343	71	0	419	0	0	0	0	0	56	143	94	0	293	27	34	55	0	116	828
Total Volume	23	1450	300	1	1774	0	0	0	0	0	173	628	361	1	1163	85	141	252	0	478	3415
% App. Total	1.3	81.7	16.9	0.1		0	0	0	0		14.9	54	31	0.1		17.8	29.5	52.7	0		
PHF	.821	.835	.962	.250	.858	.000	.000	.000	.000	.000	.772	.844	.851	.250	.873	.787	.801	.724	.000	.830	.859

