

Alliant Engineering

Minneapolis, MN 55415

--TRAFFIC DATA --

TH-149 at I-494 , North Ramps

File Name : 111 - TH 149 & North 494 Ramp

Site Code : 111

BY: Alliant Eng.

Start Date : 11/18/2014

TURN MOVEMENT COUNT

Page No : 1

Groups Printed- Cars - Trucks

Start Time	TH 149 Southbound				I-494 North Ramp Westbound				TH 149 Northbound				Eastbound				Int. Total
	Left	Thru	Rght	Bikes	Left	Thru	Rght	Bikes	Left	Thru	Rght	Bikes	Left	Thru	Rght	Bikes	
06:00	3	10	0	0	63	0	7	0	0	7	51	0	0	0	0	0	141
06:15	13	20	0	0	84	0	15	0	0	15	51	0	0	0	0	0	198
06:30	11	17	0	0	113	0	23	0	0	14	48	0	0	0	0	0	226
06:45	31	36	0	0	165	0	35	0	0	38	67	0	0	0	0	0	372
Total	58	83	0	0	425	0	80	0	0	74	217	0	0	0	0	0	937
07:00	35	37	0	0	116	0	27	0	0	59	87	0	0	0	0	0	361
07:15	52	44	0	0	122	0	58	0	0	75	86	0	0	0	0	0	437
07:30	53	51	0	0	158	0	51	0	0	115	67	0	0	0	0	0	495
07:45	64	110	0	0	143	0	62	0	0	140	87	0	0	0	0	0	606
Total	204	242	0	0	539	0	198	0	0	389	327	0	0	0	0	0	1899
08:00	37	45	0	0	144	0	29	0	0	56	55	0	0	0	0	0	366
08:15	28	29	0	0	81	0	19	0	0	40	66	0	0	0	0	0	263
08:30	43	36	0	0	68	0	18	0	0	34	68	0	0	0	0	0	267
08:45	29	37	0	0	67	0	15	0	0	40	60	0	0	0	0	0	248
Total	137	147	0	0	360	0	81	0	0	170	249	0	0	0	0	0	1144
09:00	24	26	0	0	63	0	20	0	0	36	62	0	0	0	0	0	231
09:15	9	31	0	0	53	0	12	0	0	30	55	0	0	0	0	0	190
09:30	1	0	0	0	10	0	2	0	0	0	0	0	0	0	0	0	13
09:45	0	0	0	0	3	0	0	0	0	0	0	0	0	0	0	0	3
Total	34	57	0	0	129	0	34	0	0	66	117	0	0	0	0	0	437
*** BREAK ***																	
10:30	17	20	0	0	30	0	5	0	0	35	62	0	0	0	0	0	169
10:45	24	25	0	0	26	0	8	0	0	32	55	0	0	0	0	0	170
Total	41	45	0	0	56	0	13	0	0	67	117	0	0	0	0	0	339
11:00	21	22	0	0	34	0	6	0	0	38	58	0	0	0	0	0	179
11:15	14	20	0	0	30	0	7	0	0	52	68	0	0	0	0	0	191
11:30	18	30	0	0	20	0	8	0	0	54	54	0	0	0	0	0	184
11:45	20	30	0	0	28	0	9	0	0	59	55	0	0	0	0	0	201
Total	73	102	0	0	112	0	30	0	0	203	235	0	0	0	0	0	755
12:00	16	33	0	0	33	0	6	0	0	59	59	0	0	0	0	0	206
12:15	19	40	0	0	32	0	10	0	0	42	66	0	0	0	0	0	209
12:30	20	34	0	0	37	0	9	0	0	33	72	0	0	0	0	0	205
12:45	12	36	0	0	31	0	7	0	0	39	61	0	0	0	0	0	186
Total	67	143	0	0	133	0	32	0	0	173	258	0	0	0	0	0	806
13:00	25	31	0	0	22	0	7	0	0	37	61	0	0	0	0	0	183
13:15	18	32	0	0	35	0	5	0	0	28	51	0	0	0	0	0	169
13:30	0	0	0	0	3	0	0	0	0	0	0	0	0	0	0	0	3
*** BREAK ***																	
Total	43	63	0	0	60	0	12	0	0	65	112	0	0	0	0	0	355
*** BREAK ***																	
14:30	17	24	0	0	31	0	8	0	0	75	114	0	0	0	0	0	269
14:45	79	58	0	0	37	0	14	0	0	76	75	0	0	0	0	0	339
Total	96	82	0	0	68	0	22	0	0	151	189	0	0	0	0	0	608
15:00	48	55	0	0	42	0	17	0	0	62	89	0	0	0	0	0	313
15:15	55	59	0	0	36	0	10	0	0	81	102	0	0	0	0	0	343
15:30	50	67	0	0	32	0	11	0	0	67	143	0	0	0	0	0	370
15:45	31	50	0	0	30	0	9	0	0	87	105	0	0	0	0	0	312
Total	184	231	0	0	140	0	47	0	0	297	439	0	0	0	0	0	1338
16:00	51	41	0	0	20	0	10	0	0	95	146	0	0	0	0	0	363

Alliant Engineering

Minneapolis, MN 55415

--TRAFFIC DATA --

TH-149 at I-494 , North Ramps

File Name : 111 - TH 149 & North 494 Ramp

Site Code : 111

BY: Alliant Eng.

Start Date : 11/18/2014

TURN MOVEMENT COUNT

Page No : 2

Groups Printed- Cars - Trucks

Start Time	TH 149 Southbound				I-494 North Ramp Westbound				TH 149 Northbound				Eastbound				Int. Total
	Left	Thru	Rght	Bikes	Left	Thru	Rght	Bikes	Left	Thru	Rght	Bikes	Left	Thru	Rght	Bikes	
16:15	25	50	0	0	41	0	13	0	0	87	144	0	0	0	0	0	360
16:30	35	54	0	0	39	0	13	0	0	89	156	0	0	0	0	0	386
16:45	43	60	0	0	42	0	13	0	0	94	135	0	0	0	0	0	387
Total	154	205	0	0	142	0	49	0	0	365	581	0	0	0	0	0	1496
17:00	25	52	0	0	28	0	21	0	0	122	123	0	0	0	0	0	371
17:15	40	55	0	0	36	0	14	0	0	89	92	0	0	0	0	0	326
17:30	24	38	0	0	21	0	7	0	0	110	118	0	0	0	0	0	318
17:45	30	40	0	0	22	0	6	0	0	87	85	0	0	0	0	0	270
Total	119	185	0	0	107	0	48	0	0	408	418	0	0	0	0	0	1285
Grand Total	1210	1585	0	0	2271	0	646	0	0	2428	3259	0	0	0	0	0	11399
Apprch %	43.3	56.7	0	0	77.9	0	22.1	0	0	42.7	57.3	0	0	0	0	0	
Total %	10.6	13.9	0	0	19.9	0	5.7	0	0	21.3	28.6	0	0	0	0	0	
Cars	1197	1560	0	0	2001	0	632	0	0	2388	3055	0	0	0	0	0	10833
% Cars	98.9	98.4	0	0	88.1	0	97.8	0	0	98.4	93.7	0	0	0	0	0	95
Trucks	13	25	0	0	270	0	14	0	0	40	204	0	0	0	0	0	566
% Trucks	1.1	1.6	0	0	11.9	0	2.2	0	0	1.6	6.3	0	0	0	0	0	5

Alliant Engineering

Minneapolis, MN 55415

--TRAFFIC DATA --

TH-149 at I-494 , North Ramps

File Name : 111 - TH 149 & North 494 Ramp

Site Code : 111

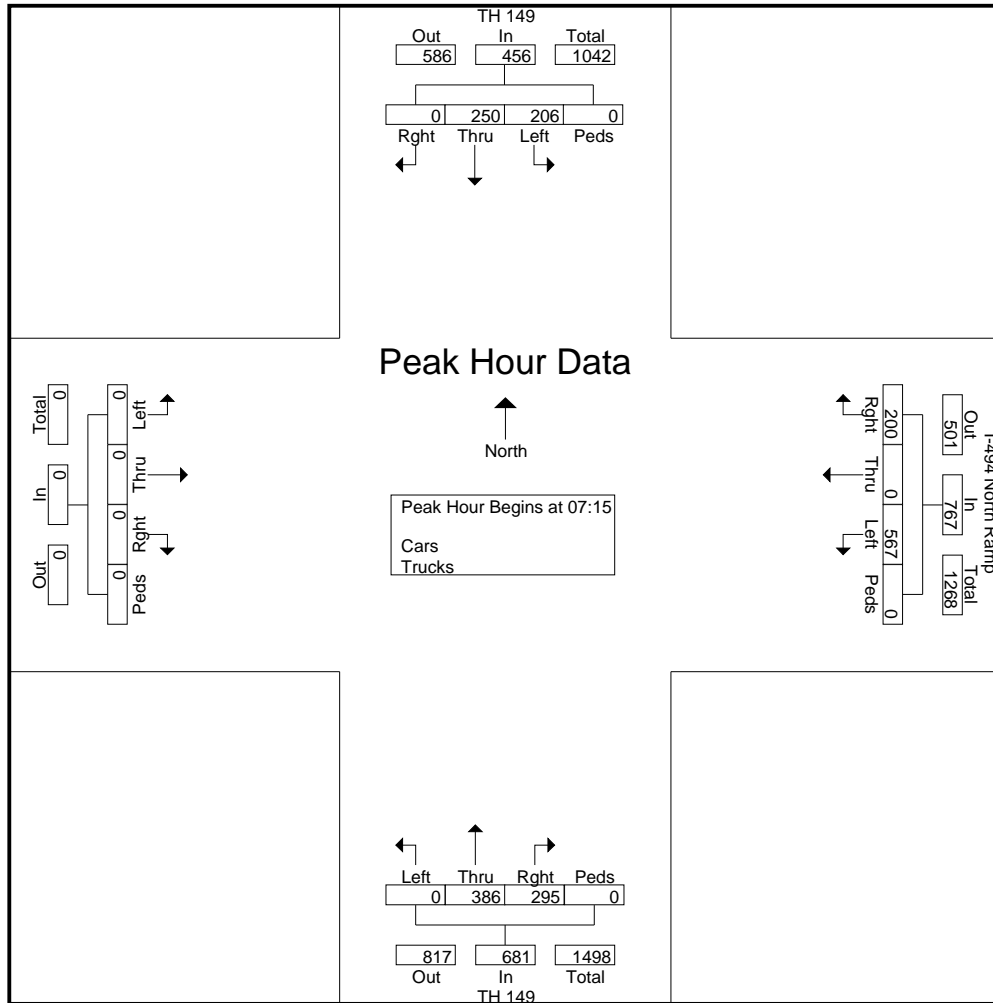
BY: Alliant Eng.

Start Date : 11/18/2014

TURN MOVEMENT COUNT

Page No : 3

Start Time	TH 149 Southbound					I-494 North Ramp Westbound					TH 149 Northbound					Eastbound					Int. Total
	Left	Thru	Right	Bikes	App. Total	Left	Thru	Right	Bikes	App. Total	Left	Thru	Right	Bikes	App. Total	Left	Thru	Right	Bikes	App. Total	
Peak Hour Analysis From 06:00 to 11:45 - Peak 1 of 1																					
Peak Hour for Entire Intersection Begins at 07:15																					
07:15	52	44	0	0	96	122	0	58	0	180	0	75	86	0	161	0	0	0	0	0	437
07:30	53	51	0	0	104	158	0	51	0	209	0	115	67	0	182	0	0	0	0	0	495
07:45	64	110	0	0	174	143	0	62	0	205	0	140	87	0	227	0	0	0	0	0	606
08:00	37	45	0	0	82	144	0	29	0	173	0	56	55	0	111	0	0	0	0	0	366
Total Volume	206	250	0	0	456	567	0	200	0	767	0	386	295	0	681	0	0	0	0	0	1904
% App. Total	45.2	54.8	0	0		73.9	0	26.1	0		0	56.7	43.3	0		0	0	0	0	0	
PHF	.805	.568	.000	.000	.655	.897	.000	.806	.000	.917	.000	.689	.848	.000	.750	.000	.000	.000	.000	.000	.785



Alliant Engineering

Minneapolis, MN 55415

--TRAFFIC DATA --

TH-149 at I-494 , North Ramps

File Name : 111 - TH 149 & North 494 Ramp

Site Code : 111

BY: Alliant Eng.

Start Date : 11/18/2014

TURN MOVEMENT COUNT

Page No : 4

Start Time	TH 149 Southbound					I-494 North Ramp Westbound					TH 149 Northbound					Eastbound					Int. Total
	Left	Thru	Rght	Bikes	App. Total	Left	Thru	Rght	Bikes	App. Total	Left	Thru	Rght	Bikes	App. Total	Left	Thru	Rght	Bikes	App. Total	
Peak Hour Analysis From 12:00 to 17:45 - Peak 1 of 1																					
Peak Hour for Entire Intersection Begins at 16:15																					
16:15	25	50	0	0	75	41	0	13	0	54	0	87	144	0	231	0	0	0	0	0	360
16:30	35	54	0	0	89	39	0	13	0	52	0	89	156	0	245	0	0	0	0	0	386
16:45	43	60	0	0	103	42	0	13	0	55	0	94	135	0	229	0	0	0	0	0	387
17:00	25	52	0	0	77	28	0	21	0	49	0	122	123	0	245	0	0	0	0	0	371
Total Volume	128	216	0	0	344	150	0	60	0	210	0	392	558	0	950	0	0	0	0	0	1504
% App. Total	37.2	62.8	0	0		71.4	0	28.6	0		0	41.3	58.7	0		0	0	0	0		
PHF	.744	.900	.000	.000	.835	.893	.000	.714	.000	.955	.000	.803	.894	.000	.969	.000	.000	.000	.000	.000	.972

