

Alliant Engineering, Inc.  
733 S Marquette Ave #700, Minneapolis, MN 55402

702 TH 120 & Conway Ave  
Ref Pt: 002+00.686  
data by: Alliant Inc  
TURN MOVEMENT COUNT

File Name : 702\_TH 120 & Conway Avenue  
Site Code : 1735669  
Start Date : 4/18/2019  
Page No : 1

Groups Printed- Class 1 - Class 2

Start Time	TH 120 From North					From East					TH 120 From South					Conway Avenue From West					Int. Total
	Right	Thru	Left	Peds	App. Total	Right	Thru	Left	Peds	App. Total	Right	Thru	Left	Peds	App. Total	Right	Thru	Left	Peds	App. Total	
06:00 AM	11	75	0	0	86	0	0	0	0	0	0	39	24	0	63	6	0	1	0	7	156
06:15 AM	13	104	0	0	117	0	0	0	0	0	0	42	34	0	76	8	0	1	0	9	202
06:30 AM	26	118	0	0	144	0	0	0	0	0	0	47	50	0	97	2	0	6	0	8	249
06:45 AM	33	121	0	0	154	0	0	0	0	0	0	54	83	0	137	4	0	2	0	6	297
Total	83	418	0	0	501	0	0	0	0	0	0	182	191	0	373	20	0	10	0	30	904
07:00 AM	32	103	0	0	135	0	0	0	0	0	0	69	81	0	150	6	0	8	0	14	299
07:15 AM	36	127	0	0	163	0	0	0	0	0	0	87	119	0	206	8	0	12	0	20	389
07:30 AM	65	146	0	0	211	0	0	0	0	0	0	86	122	0	208	3	0	2	0	5	424
07:45 AM	68	163	0	0	231	0	0	0	0	0	0	103	189	0	292	7	0	9	0	16	539
Total	201	539	0	0	740	0	0	0	0	0	0	345	511	0	856	24	0	31	0	55	1651
08:00 AM	66	151	0	0	217	0	0	0	0	0	0	103	115	0	218	4	0	10	1	15	450
08:15 AM	41	135	0	0	176	0	0	0	0	0	0	73	107	0	180	16	0	4	0	20	376
08:30 AM	29	111	0	0	140	0	0	0	0	0	0	95	52	0	147	10	0	3	0	13	300
08:45 AM	25	118	0	0	143	0	0	0	0	0	0	85	72	0	157	9	0	5	0	14	314
Total	161	515	0	0	676	0	0	0	0	0	0	356	346	0	702	39	0	22	1	62	1440
09:00 AM	11	117	0	0	128	0	0	0	0	0	0	72	32	0	104	7	0	3	0	10	242
09:15 AM	12	97	0	0	109	0	0	0	0	0	0	65	27	0	92	11	0	5	0	16	217
*** BREAK ***																					
Total	23	214	0	0	237	0	0	0	0	0	0	137	59	0	196	18	0	8	0	26	459
*** BREAK ***																					
10:30 AM	11	76	0	0	87	0	0	0	0	0	0	73	10	0	83	10	0	4	0	14	184
10:45 AM	22	92	0	0	114	0	0	0	0	0	0	82	17	0	99	26	0	13	1	40	253
Total	33	168	0	0	201	0	0	0	0	0	0	155	27	0	182	36	0	17	1	54	437
11:00 AM	14	88	0	0	102	0	0	0	0	0	0	79	13	0	92	58	0	23	0	81	275
11:15 AM	16	92	0	0	108	0	0	0	0	0	0	91	16	0	107	48	0	24	2	74	289
11:30 AM	19	84	0	0	103	0	0	0	0	0	0	114	16	0	130	50	0	17	0	67	300
11:45 AM	20	90	0	0	110	0	0	0	0	0	0	100	21	0	121	29	0	24	0	53	284
Total	69	354	0	0	423	0	0	0	0	0	0	384	66	0	450	185	0	88	2	275	1148
12:00 PM	33	101	0	0	134	0	0	0	1	1	0	104	26	0	130	37	0	28	0	65	330
12:15 PM	33	101	0	0	134	0	0	0	0	0	0	111	26	0	137	23	0	17	0	40	311
12:30 PM	34	105	0	0	139	0	0	0	0	0	0	99	28	0	127	19	0	13	1	33	299
12:45 PM	28	107	0	1	136	0	0	0	0	0	0	96	36	0	132	17	0	20	0	37	305
Total	128	414	0	1	543	0	0	0	1	1	0	410	116	0	526	96	0	78	1	175	1245
01:00 PM	9	125	0	0	134	0	0	0	0	0	0	92	35	0	127	23	0	11	0	34	295
01:15 PM	16	94	0	0	110	0	0	0	0	0	0	92	18	0	110	20	0	7	0	27	247
*** BREAK ***																					
Total	25	219	0	0	244	0	0	0	0	0	0	184	53	0	237	43	0	18	0	61	542
*** BREAK ***																					
02:30 PM	14	108	0	0	122	0	0	0	0	0	0	124	10	0	134	22	0	16	0	38	294
02:45 PM	22	140	0	0	162	0	0	0	0	0	0	138	14	0	152	45	0	9	1	55	369
Total	36	248	0	0	284	0	0	0	0	0	0	262	24	0	286	67	0	25	1	93	663
03:00 PM	13	133	0	0	146	0	0	0	1	1	0	128	14	0	142	71	0	32	0	103	392
03:15 PM	12	109	0	0	121	0	0	0	0	0	0	171	8	0	179	76	0	25	0	101	401
03:30 PM	10	145	0	0	155	0	0	0	0	0	0	139	9	0	148	93	0	38	0	131	434
03:45 PM	12	145	0	0	157	0	0	0	0	0	0	164	10	0	174	72	0	24	0	96	427
Total	47	532	0	0	579	0	0	0	1	1	0	602	41	0	643	312	0	119	0	431	1654

Alliant Engineering, Inc.  
733 S Marquette Ave #700, Minneapolis, MN 55402

702 TH 120 & Conway Ave  
Ref Pt: 002+00.686  
data by: Alliant Inc  
TURN MOVEMENT COUNT

File Name : 702\_TH 120 & Conway Avenue  
Site Code : 1735669  
Start Date : 4/18/2019  
Page No : 2

Groups Printed- Class 1 - Class 2

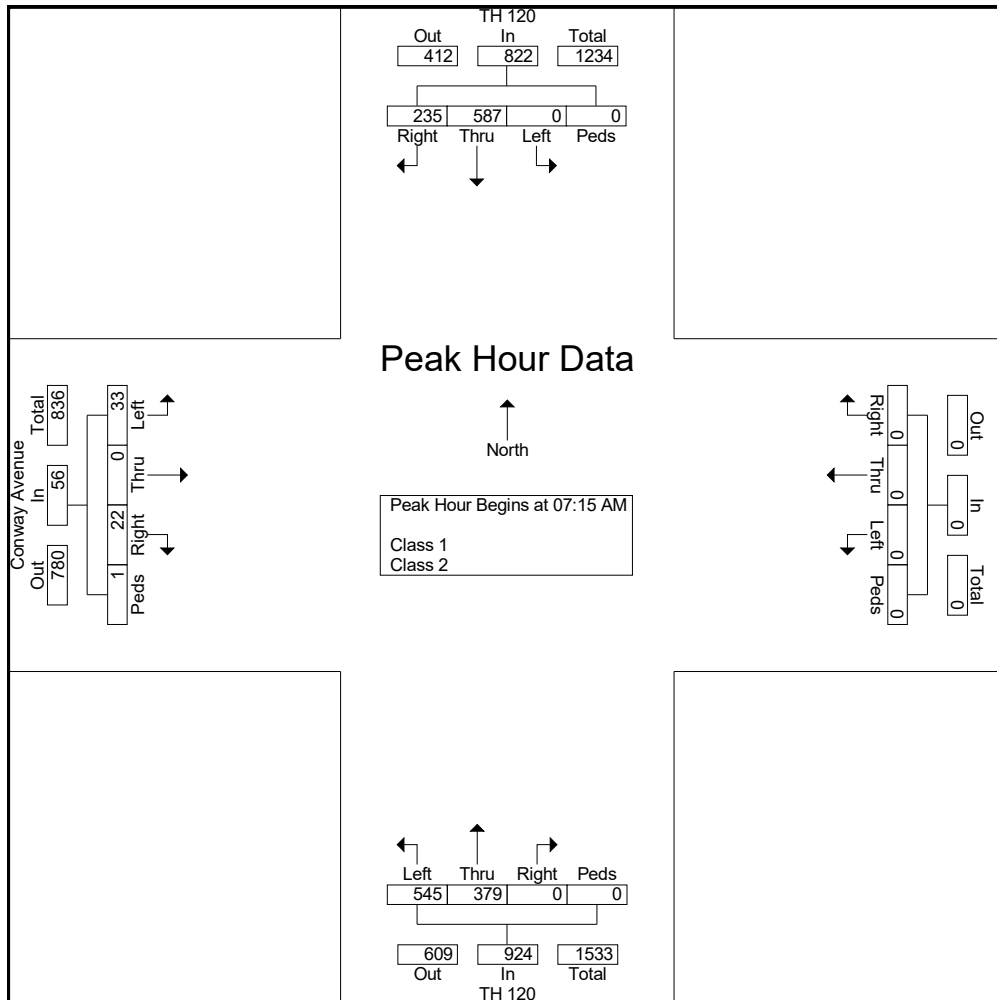
Start Time	TH 120 From North					From East					TH 120 From South					Conway Avenue From West					Int. Total
	Right	Thru	Left	Peds	App. Total	Right	Thru	Left	Peds	App. Total	Right	Thru	Left	Peds	App. Total	Right	Thru	Left	Peds	App. Total	
04:00 PM	10	136	0	1	147	0	0	0	0	0	0	196	13	0	209	108	0	44	0	152	508
04:15 PM	10	140	0	0	150	0	0	0	1	1	0	199	12	0	211	122	0	49	0	171	533
04:30 PM	10	163	0	0	173	0	0	0	0	0	0	203	12	0	215	118	0	52	0	170	558
04:45 PM	13	139	0	1	153	0	0	0	1	1	0	189	7	0	196	154	0	42	0	196	546
Total	43	578	0	2	623	0	0	0	2	2	0	787	44	0	831	502	0	187	0	689	2145
05:00 PM	9	144	0	0	153	0	0	0	1	1	0	197	7	0	204	111	0	45	0	156	514
05:15 PM	8	150	0	0	158	0	0	0	0	0	0	201	9	0	210	98	0	44	0	142	510
05:30 PM	10	149	0	0	159	0	0	0	0	0	0	176	10	0	186	50	0	34	0	84	429
05:45 PM	10	123	0	0	133	0	0	0	0	0	0	175	8	0	183	53	0	13	0	66	382
Total	37	566	0	0	603	0	0	0	1	1	0	749	34	0	783	312	0	136	0	448	1835
Grand Total	886	4765	0	3	5654	0	0	0	5	5	0	4553	1512	0	6065	1654	0	739	6	2399	14123
Apprch %	15.7	84.3	0	0.1		0	0	0	100		0	75.1	24.9	0		68.9	0	30.8	0.3		
Total %	6.3	33.7	0	0	40	0	0	0	0	0	0	32.2	10.7	0	42.9	11.7	0	5.2	0	17	
Class 1	867	4652	0	3	5522	0	0	0	2	2	0	4455	1479	0	5934	1619	0	723	5	2347	13805
% Class 1	97.9	97.6	0	100	97.7	0	0	0	40	40	0	97.8	97.8	0	97.8	97.9	0	97.8	83.3	97.8	97.7
Class 2	19	113	0	0	132	0	0	0	3	3	0	98	33	0	131	35	0	16	1	52	318
% Class 2	2.1	2.4	0	0	2.3	0	0	0	60	60	0	2.2	2.2	0	2.2	2.1	0	2.2	16.7	2.2	2.3

Alliant Engineering, Inc.  
733 S Marquette Ave #700, Minneapolis, MN 55402

702 TH 120 & Conway Ave  
Ref Pt: 002+00.686  
data by: Alliant Inc  
TURN MOVEMENT COUNT

File Name : 702\_TH 120 & Conway Avenue  
Site Code : 1735669  
Start Date : 4/18/2019  
Page No : 3

Start Time	TH 120 From North					From East					TH 120 From South					Conway Avenue From West					Int. Total
	Right	Thru	Left	Peds	App. Total	Right	Thru	Left	Peds	App. Total	Right	Thru	Left	Peds	App. Total	Right	Thru	Left	Peds	App. Total	
Peak Hour Analysis From 06:00 AM to 11:45 AM - Peak 1 of 1																					
Peak Hour for Entire Intersection Begins at 07:15 AM																					
07:15 AM	36	127	0	0	163	0	0	0	0	0	0	87	119	0	206	8	0	12	0	20	389
07:30 AM	65	146	0	0	211	0	0	0	0	0	0	86	122	0	208	3	0	2	0	5	424
07:45 AM	<b>68</b>	<b>163</b>	0	0	<b>231</b>	0	0	0	0	0	0	<b>103</b>	<b>189</b>	0	<b>292</b>	7	0	9	0	16	<b>539</b>
08:00 AM	66	151	0	0	217	0	0	0	0	0	0	103	115	0	218	4	0	10	1	15	450
Total Volume	235	587	0	0	822	0	0	0	0	0	0	379	545	0	924	22	0	33	1	56	1802
% App. Total	28.6	71.4	0	0		0	0	0	0	0	0	41	59	0		39.3	0	58.9	1.8		
PHF	.864	.900	.000	.000	.890	.000	.000	.000	.000	.000	.000	.920	.721	.000	.791	.688	.000	.688	.250	.700	.836



Alliant Engineering, Inc.  
733 S Marquette Ave #700, Minneapolis, MN 55402

702 TH 120 & Conway Ave  
Ref Pt: 002+00.686  
data by: Alliant Inc  
TURN MOVEMENT COUNT

File Name : 702\_TH 120 & Conway Avenue  
Site Code : 1735669  
Start Date : 4/18/2019  
Page No : 4

Start Time	TH 120 From North					From East					TH 120 From South					Conway Avenue From West					Int. Total
	Right	Thru	Left	Peds	App. Total	Right	Thru	Left	Peds	App. Total	Right	Thru	Left	Peds	App. Total	Right	Thru	Left	Peds	App. Total	
Peak Hour Analysis From 12:00 PM to 05:45 PM - Peak 1 of 1																					
Peak Hour for Entire Intersection Begins at 04:15 PM																					
04:15 PM	10	140	0	0	150	0	0	0	1	1	0	199	12	0	211	122	0	49	0	171	533
04:30 PM	10	163	0	0	173	0	0	0	0	0	0	203	12	0	215	118	0	52	0	170	558
04:45 PM	13	139	0	1	153	0	0	0	1	1	0	189	7	0	196	154	0	42	0	196	546
05:00 PM	9	144	0	0	153	0	0	0	1	1	0	197	7	0	204	111	0	45	0	156	514
Total Volume	42	586	0	1	629	0	0	0	3	3	0	788	38	0	826	505	0	188	0	693	2151
% App. Total	6.7	93.2	0	0.2		0	0	0	100		0	95.4	4.6	0		72.9	0	27.1	0		
PHF	.808	.899	.000	.250	.909	.000	.000	.000	.750	.750	.000	.970	.792	.000	.960	.820	.000	.904	.000	.884	.964

