

Alliant Engineering, Inc.  
733 S Marquette Ave #700, Minneapolis, MN 55402

704 TH 120 & 10th Street/Minnehaha  
Ref Pt: 003+00.202  
data by: Alliant Inc  
TURN MOVEMENT COUNT

File Name : 704\_TH 120 & 10th Street-Minnehaha  
Site Code : 1735671  
Start Date : 5/7/2019  
Page No : 1

Groups Printed- Class 1 - Class 2

Start Time	TH 120 From North					10th Street From East					TH 120 From South					Minnehaha Ave From West					Int. Total
	Right	Thru	Left	Peds	App. Total	Right	Thru	Left	Peds	App. Total	Right	Thru	Left	Peds	App. Total	Right	Thru	Left	Peds	App. Total	
06:00 AM	11	49	7	0	67	4	23	15	0	42	6	17	6	0	29	7	13	3	1	24	162
06:15 AM	16	59	9	1	85	7	38	30	0	75	3	35	3	0	41	13	20	11	2	46	247
06:30 AM	32	82	12	0	126	7	52	35	0	94	4	50	15	0	69	5	30	5	0	40	329
06:45 AM	53	67	13	0	133	8	82	37	2	129	6	45	24	0	75	11	35	3	0	49	386
Total	112	257	41	1	411	26	195	117	2	340	19	147	48	0	214	36	98	22	3	159	1124
07:00 AM	38	62	24	0	124	16	106	41	0	163	7	52	50	0	109	8	32	10	0	50	446
07:15 AM	32	75	28	0	135	29	126	52	1	208	7	75	49	1	132	9	46	13	1	69	544
07:30 AM	48	87	31	0	166	31	126	68	0	225	3	94	41	0	138	14	37	20	1	72	601
07:45 AM	40	106	34	0	180	19	130	62	0	211	14	91	32	0	137	16	56	22	0	94	622
Total	158	330	117	0	605	95	488	223	1	807	31	312	172	1	516	47	171	65	2	285	2213
08:00 AM	37	94	37	0	168	15	116	53	0	184	8	79	25	0	112	11	51	11	0	73	537
08:15 AM	35	67	31	0	133	28	88	40	0	156	4	57	24	0	85	8	35	16	0	59	433
08:30 AM	27	79	24	0	130	20	70	38	0	128	8	40	16	0	64	9	46	19	0	74	396
08:45 AM	24	77	27	0	128	14	50	34	2	100	16	59	10	0	85	11	51	16	0	78	391
Total	123	317	119	0	559	77	324	165	2	568	36	235	75	0	346	39	183	62	0	284	1757
09:00 AM	28	61	24	0	113	21	43	36	0	100	19	54	3	0	76	17	39	9	1	66	355
09:15 AM	18	56	16	0	90	24	44	22	0	90	13	46	18	0	77	15	44	19	0	78	335
*** BREAK ***																					
Total	46	117	40	0	203	45	87	58	0	190	32	100	21	0	153	32	83	28	1	144	690
*** BREAK ***																					
10:30 AM	23	58	20	0	101	16	40	11	0	67	13	38	5	0	56	10	35	14	0	59	283
10:45 AM	16	53	22	0	91	19	41	16	0	76	17	52	10	2	81	6	31	27	0	64	312
Total	39	111	42	0	192	35	81	27	0	143	30	90	15	2	137	16	66	41	0	123	595
11:00 AM	23	70	20	0	113	16	40	25	0	81	30	64	6	0	100	11	55	27	0	93	387
11:15 AM	17	46	30	0	93	19	43	22	0	84	33	67	9	0	109	6	53	25	0	84	370
11:30 AM	16	68	20	0	104	30	40	29	1	100	34	73	7	1	115	19	63	23	0	105	424
11:45 AM	28	61	37	0	126	24	61	36	0	121	33	84	8	0	125	5	49	31	0	85	457
Total	84	245	107	0	436	89	184	112	1	386	130	288	30	1	449	41	220	106	0	367	1638
12:00 PM	28	53	27	0	108	23	46	38	1	108	37	85	12	1	135	23	50	27	0	100	451
12:15 PM	27	66	31	0	124	25	61	38	0	124	32	76	11	2	121	14	50	29	0	93	462
12:30 PM	33	69	32	0	134	19	62	38	1	120	25	53	14	3	95	13	54	18	0	85	434
12:45 PM	28	73	28	0	129	21	55	45	0	121	19	73	9	0	101	11	44	20	0	75	426
Total	116	261	118	0	495	88	224	159	2	473	113	287	46	6	452	61	198	94	0	353	1773
01:00 PM	18	69	24	0	111	31	54	38	0	123	17	61	15	0	93	12	47	22	0	81	408
01:15 PM	17	61	25	0	103	25	41	21	0	87	20	49	8	1	78	4	50	20	0	74	342
*** BREAK ***																					
Total	35	130	49	0	214	56	95	59	0	210	37	110	23	1	171	16	97	42	0	155	750
*** BREAK ***																					
02:30 PM	32	77	32	0	141	28	46	24	1	99	39	81	16	1	137	15	56	20	0	91	468
02:45 PM	23	71	31	0	125	41	48	35	0	124	38	117	18	0	173	11	64	27	0	102	524
Total	55	148	63	0	266	69	94	59	1	223	77	198	34	1	310	26	120	47	0	193	992
03:00 PM	26	94	42	0	162	39	47	36	0	122	53	105	18	1	177	13	75	43	1	132	593
03:15 PM	26	84	31	0	141	42	55	25	1	123	40	129	24	1	194	18	76	27	0	121	579
03:30 PM	28	90	51	2	171	32	74	27	2	135	50	96	17	3	166	8	97	31	2	138	610
03:45 PM	20	86	34	1	141	36	70	32	0	138	44	120	11	1	176	12	92	25	0	129	584
Total	100	354	158	3	615	149	246	120	3	518	187	450	70	6	713	51	340	126	3	520	2366

Alliant Engineering, Inc.  
733 S Marquette Ave #700, Minneapolis, MN 55402

704 TH 120 & 10th Street/Minnehaha  
Ref Pt: 003+00.202  
data by: Alliant Inc  
TURN MOVEMENT COUNT

File Name : 704\_TH 120 & 10th Street-Minnehaha  
Site Code : 1735671  
Start Date : 5/7/2019  
Page No : 2

Groups Printed- Class 1 - Class 2

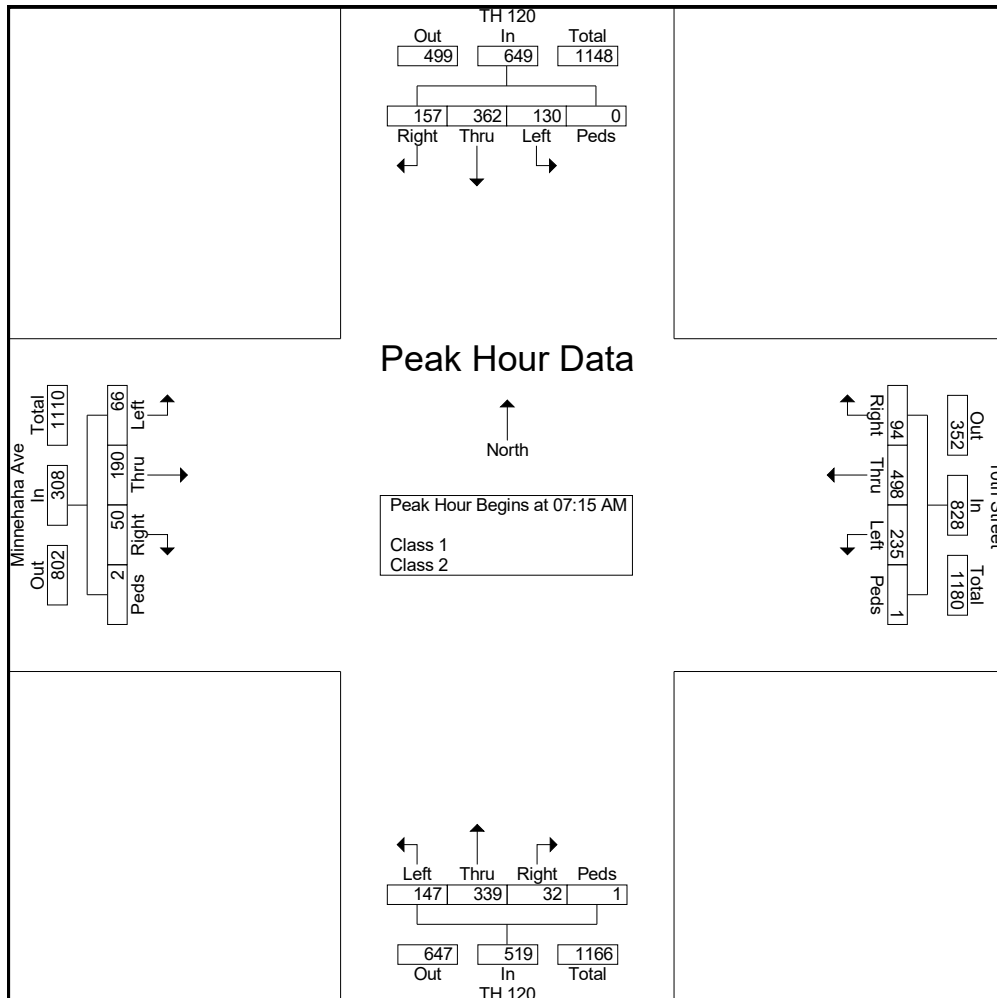
Start Time	TH 120 From North					10th Street From East					TH 120 From South					Minnehaha Ave From West					Int. Total
	Right	Thru	Left	Peds	App. Total	Right	Thru	Left	Peds	App. Total	Right	Thru	Left	Peds	App. Total	Right	Thru	Left	Peds	App. Total	
04:00 PM	22	86	37	0	145	43	76	49	0	168	59	98	18	1	176	8	84	47	1	140	629
04:15 PM	18	73	45	0	136	40	67	48	2	157	63	136	9	1	209	21	93	47	0	161	663
04:30 PM	13	85	31	0	129	32	62	37	3	134	54	132	14	0	200	9	96	48	1	154	617
04:45 PM	16	76	35	0	127	41	56	38	0	135	55	129	20	6	210	13	92	43	0	148	620
Total	69	320	148	0	537	156	261	172	5	594	231	495	61	8	795	51	365	185	2	603	2529
05:00 PM	18	95	40	0	153	43	57	29	2	131	53	122	14	4	193	12	84	29	0	125	602
05:15 PM	30	83	37	0	150	39	64	39	1	143	51	142	22	2	217	12	89	42	0	143	653
05:30 PM	16	68	45	0	129	34	56	26	0	116	59	112	11	1	183	11	105	39	0	155	583
05:45 PM	19	95	46	0	160	30	52	25	0	107	37	90	16	0	143	18	89	35	0	142	552
Total	83	341	168	0	592	146	229	119	3	497	200	466	63	7	736	53	367	145	0	565	2390
Grand Total	1020	2931	1170	4	5125	1031	2508	1390	20	4949	1123	3178	658	33	4992	469	2308	963	11	3751	18817
Apprch %	19.9	57.2	22.8	0.1		20.8	50.7	28.1	0.4		22.5	63.7	13.2	0.7		12.5	61.5	25.7	0.3		
Total %	5.4	15.6	6.2	0	27.2	5.5	13.3	7.4	0.1	26.3	6	16.9	3.5	0.2	26.5	2.5	12.3	5.1	0.1	19.9	
Class 1	1001	2842	1148	4	4995	1019	2487	1374	17	4897	1113	3116	652	30	4911	459	2283	950	7	3699	18502
% Class 1	98.1	97	98.1	100	97.5	98.8	99.2	98.8	85	98.9	99.1	98	99.1	90.9	98.4	97.9	98.9	98.7	63.6	98.6	98.3
Class 2	19	89	22	0	130	12	21	16	3	52	10	62	6	3	81	10	25	13	4	52	315
% Class 2	1.9	3	1.9	0	2.5	1.2	0.8	1.2	15	1.1	0.9	2	0.9	1.6		2.1	1.1	1.3	36.4	1.4	1.7

Alliant Engineering, Inc.  
733 S Marquette Ave #700, Minneapolis, MN 55402

704 TH 120 & 10th Street/Minnehaha  
Ref Pt: 003+00.202  
data by: Alliant Inc  
TURN MOVEMENT COUNT

File Name : 704\_TH 120 & 10th Street-Minnehaha  
Site Code : 1735671  
Start Date : 5/7/2019  
Page No : 3

Start Time	TH 120 From North					10th Street From East					TH 120 From South					Minnehaha Ave From West					Int. Total
	Right	Thru	Left	Peds	App. Total	Right	Thru	Left	Peds	App. Total	Right	Thru	Left	Peds	App. Total	Right	Thru	Left	Peds	App. Total	
Peak Hour Analysis From 06:00 AM to 11:45 AM - Peak 1 of 1																					
Peak Hour for Entire Intersection Begins at 07:15 AM																					
07:15 AM	32	75	28	0	135	29	126	52	1	208	7	75	49	1	132	9	46	13	1	69	544
07:30 AM	48	87	31	0	166	31	126	68	0	225	3	94	41	0	138	14	37	20	1	72	601
07:45 AM	40	106	34	0	180	19	130	62	0	211	14	91	32	0	137	16	56	22	0	94	622
08:00 AM	37	94	37	0	168	15	116	53	0	184	8	79	25	0	112	11	51	11	0	73	537
Total Volume	157	362	130	0	649	94	498	235	1	828	32	339	147	1	519	50	190	66	2	308	2304
% App. Total	24.2	55.8	20	0		11.4	60.1	28.4	0.1		6.2	65.3	28.3	0.2		16.2	61.7	21.4	0.6		
PHF	.818	.854	.878	.000	.901	.758	.958	.864	.250	.920	.571	.902	.750	.250	.940	.781	.848	.750	.500	.819	.926



Alliant Engineering, Inc.  
733 S Marquette Ave #700, Minneapolis, MN 55402

704 TH 120 & 10th Street/Minnehaha  
Ref Pt: 003+00.202  
data by: Alliant Inc  
TURN MOVEMENT COUNT

File Name : 704\_TH 120 & 10th Street-Minnehaha  
Site Code : 1735671  
Start Date : 5/7/2019  
Page No : 4

Start Time	TH 120 From North					10th Street From East					TH 120 From South					Minnehaha Ave From West					Int. Total
	Right	Thru	Left	Peds	App. Total	Right	Thru	Left	Peds	App. Total	Right	Thru	Left	Peds	App. Total	Right	Thru	Left	Peds	App. Total	
Peak Hour Analysis From 12:00 PM to 05:45 PM - Peak 1 of 1																					
Peak Hour for Entire Intersection Begins at 04:00 PM																					
04:00 PM	22	86	37	0	145	43	76	49	0	168	59	98	18	1	176	8	84	47	1	140	629
04:15 PM	18	73	45	0	136	40	67	48	2	157	63	136	9	1	209	21	93	47	0	161	663
04:30 PM	13	85	31	0	129	32	62	37	3	134	54	132	14	0	200	9	96	48	1	154	617
04:45 PM	16	76	35	0	127	41	56	38	0	135	55	129	20	6	210	13	92	43	0	148	620
Total Volume	69	320	148	0	537	156	261	172	5	594	231	495	61	8	795	51	365	185	2	603	2529
% App. Total	12.8	59.6	27.6	0		26.3	43.9	29	0.8		29.1	62.3	7.7	1		8.5	60.5	30.7	0.3		
PHF	.784	.930	.822	.000	.926	.907	.859	.878	.417	.884	.917	.910	.763	.333	.946	.607	.951	.964	.500	.936	.954

