

MN Dept of Transportation

TRAFFIC DATA COLLECTION - Metro

TH-120 / Century Ave at Ivy Ave.
 Ref.Pt.: 004.460
 video RE
 TURN MOVEMENT COUNT

File Name : TH-120 at Ivy Ave 2015
 Site Code :
 Start Date : 1/14/2015
 Page No : 1

Groups Printed- Cars +

Start Time	TH-120 / Century Ave. Southbound				TH-120 / Century Ave. Northbound				Ivy Ave. Eastbound				Int. Total
	Left	Thru	Right	Peds	Left	Thru	Right	Peds	Left	Thru	Right	Peds	
06:00	0	39	2	0	3	34	0	0	9	0	8	0	95
06:15	0	53	0	0	2	50	0	0	3	0	9	0	117
06:30	0	54	1	0	2	46	0	0	6	0	8	0	117
06:45	0	77	1	0	1	50	0	0	2	0	6	0	137
Total	0	223	4	0	8	180	0	0	20	0	31	0	466
07:00	0	81	3	0	3	85	0	0	11	1	12	0	196
07:15	0	103	3	0	6	111	0	0	9	0	15	0	247
07:30	0	133	2	0	4	92	0	0	10	0	9	0	250
07:45	0	106	7	0	7	99	0	0	7	0	18	0	244
Total	0	423	15	0	20	387	0	0	37	1	54	0	937
08:00	0	104	8	0	7	78	0	0	7	0	14	0	218
08:15	0	86	3	0	5	82	0	0	7	0	12	0	195
08:30	0	95	3	0	8	98	0	0	9	0	9	0	222
08:45	0	84	4	0	5	70	0	0	5	0	12	0	180
Total	0	369	18	0	25	328	0	0	28	0	47	0	815
*****BREAK*****													
15:00	0	91	7	0	8	100	0	0	5	0	5	0	216
15:15	0	102	7	0	13	90	0	0	10	0	12	0	234
15:30	0	94	9	0	14	129	0	0	9	0	17	0	272
15:45	0	91	10	0	15	107	0	0	6	0	9	0	238
Total	0	378	33	0	50	426	0	0	30	0	43	0	960
16:00	0	118	7	0	9	108	0	0	5	0	7	0	254
16:15	0	115	5	0	17	127	0	0	5	0	6	0	275
16:30	0	95	10	0	11	121	0	0	3	0	8	0	248
16:45	0	97	13	0	12	145	0	0	5	0	12	0	284
Total	0	425	35	0	49	501	0	0	18	0	33	0	1061
17:00	0	123	12	0	6	120	0	0	11	0	12	0	284
17:15	0	94	13	0	20	146	0	0	3	0	12	0	288
17:30	0	106	7	0	14	125	0	0	3	0	11	0	266
17:45	0	76	6	0	9	93	0	0	4	0	8	0	196
Total	0	399	38	0	49	484	0	0	21	0	43	0	1034
Grand Total	0	2217	143	0	201	2306	0	0	154	1	251	0	5273
Apprch %	0	93.9	6.1	0	8	92	0	0	37.9	0.2	61.8	0	
Total %	0	42	2.7	0	3.8	43.7	0	0	2.9	0	4.8	0	

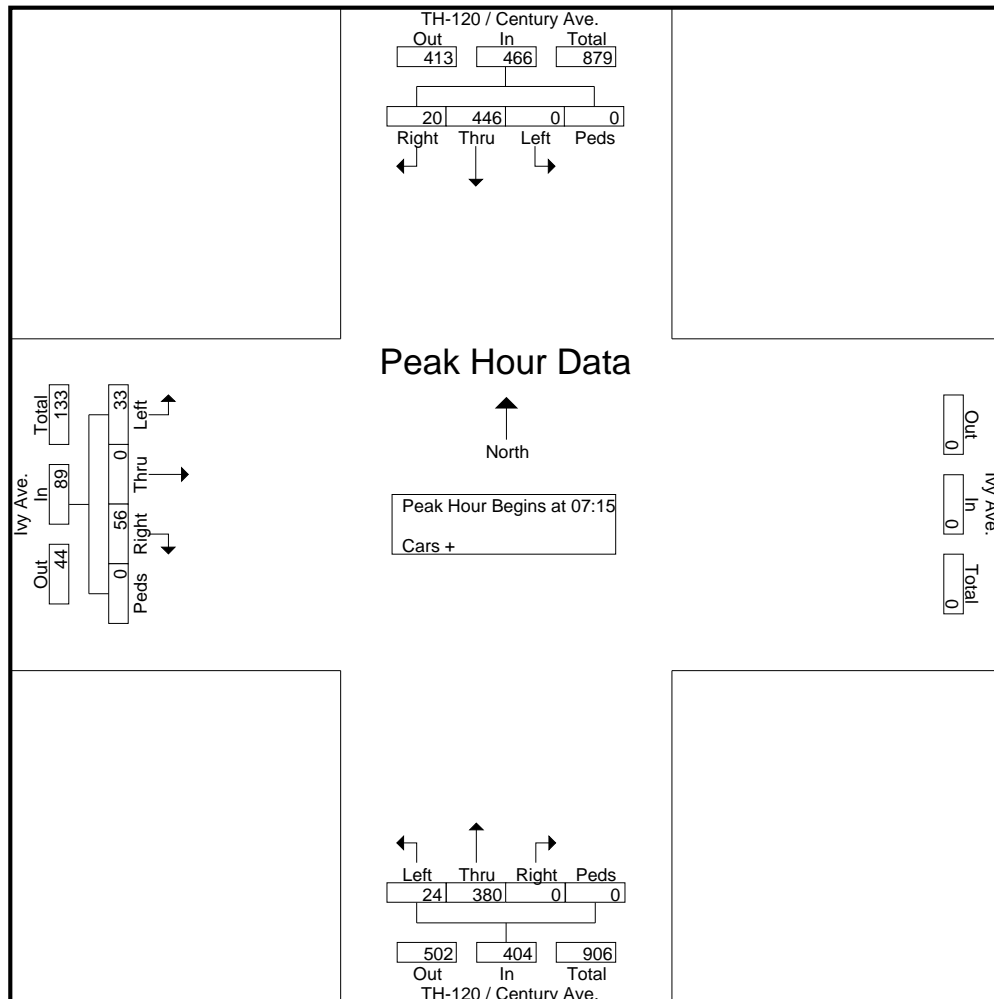
MN Dept of Transportation

TRAFFIC DATA COLLECTION - Metro

TH-120 / Century Ave at Ivy Ave.
 Ref.Pt.: 004.460
 video RE
 TURN MOVEMENT COUNT

File Name : TH-120 at Ivy Ave 2015
 Site Code :
 Start Date : 1/14/2015
 Page No : 2

Start Time	TH-120 / Century Ave. Southbound					TH-120 / Century Ave. Northbound					Ivy Ave. Eastbound					Int. Total
	Left	Thru	Right	Peds	App. Total	Left	Thru	Right	Peds	App. Total	Left	Thru	Right	Peds	App. Total	
Peak Hour Analysis From 06:00 to 08:45 - Peak 1 of 1																
Peak Hour for Entire Intersection Begins at 07:15																
07:15	0	103	3	0	106	6	111	0	0	117	9	0	15	0	24	247
07:30	0	133	2	0	135	4	92	0	0	96	10	0	9	0	19	250
07:45	0	106	7	0	113	7	99	0	0	106	7	0	18	0	25	244
08:00	0	104	8	0	112	7	78	0	0	85	7	0	14	0	21	218
Total Volume	0	446	20	0	466	24	380	0	0	404	33	0	56	0	89	959
% App. Total	0	95.7	4.3	0		5.9	94.1	0	0		37.1	0	62.9	0		
PHF	.000	.838	.625	.000	.863	.857	.856	.000	.000	.863	.825	.000	.778	.000	.890	.959



MN Dept of Transportation

TRAFFIC DATA COLLECTION - Metro

TH-120 / Century Ave at Ivy Ave.
 Ref.Pt.: 004.460
 video RE
 TURN MOVEMENT COUNT

File Name : TH-120 at Ivy Ave 2015
 Site Code :
 Start Date : 1/14/2015
 Page No : 3

Start Time	TH-120 / Century Ave. Southbound					TH-120 / Century Ave. Northbound					Ivy Ave. Eastbound					Int. Total
	Left	Thru	Right	Peds	App. Total	Left	Thru	Right	Peds	App. Total	Left	Thru	Right	Peds	App. Total	
Peak Hour Analysis From 15:00 to 17:45 - Peak 1 of 1																
Peak Hour for Entire Intersection Begins at 16:45																
16:45	0	97	13	0	110	12	145	0	0	157	5	0	12	0	17	284
17:00	0	123	12	0	135	6	120	0	0	126	11	0	12	0	23	284
17:15	0	94	13	0	107	20	146	0	0	166	3	0	12	0	15	288
17:30	0	106	7	0	113	14	125	0	0	139	3	0	11	0	14	266
Total Volume	0	420	45	0	465	52	536	0	0	588	22	0	47	0	69	1122
% App. Total	0	90.3	9.7	0		8.8	91.2	0	0		31.9	0	68.1	0		
PHF	.000	.854	.865	.000	.861	.650	.918	.000	.000	.886	.500	.000	.979	.000	.750	.974

