

# MN Dept of Transportation

TRAFFIC DATA COLLECTION - Metro

TH-120 at Larpentuer Avenue  
 Ref.Pt.: 005.214  
 video AL  
 TURN MOVEMENT COUNT

File Name : TH-120 at Larpentuer Ave 2-16  
 Site Code :  
 Start Date : 4/13/2016  
 Page No : 1

Groups Printed- Cars +

Start Time	TH-120 / Century Ave. Southbound				TH-120 / Century Ave. Northbound				Larpentuer Ave. Eastbound				Int. Total
	Left	Thru	Right	Peds	Left	Thru	Right	Peds	Left	Thru	Right	Peds	
06:00	0	12	4	0	3	16	0	0	8	0	3	0	46
06:15	0	38	10	0	15	41	0	0	16	0	5	0	125
06:30	0	39	11	0	16	32	0	0	17	0	8	0	123
06:45	0	55	33	0	15	46	0	0	13	0	20	0	182
Total	0	144	58	0	49	135	0	0	54	0	36	0	476
07:00	0	62	98	0	29	55	0	0	25	0	21	0	290
07:15	0	63	205	0	51	66	0	0	47	0	23	0	455
07:30	0	114	105	0	27	75	0	0	67	0	16	0	404
07:45	0	89	54	0	20	76	0	0	23	0	15	0	277
Total	0	328	462	0	127	272	0	0	162	0	75	0	1426
08:00	0	101	41	0	32	102	0	0	20	0	16	0	312
08:15	0	63	44	0	20	60	0	0	42	0	12	0	241
08:30	0	58	20	0	19	68	0	0	42	0	11	0	218
08:45	0	65	14	0	24	63	0	0	19	0	15	0	200
Total	0	287	119	0	95	293	0	0	123	0	54	0	971
09:00	0	69	20	0	24	55	0	0	9	0	15	0	192
09:15	0	59	25	0	11	55	0	0	14	0	12	0	176
09:30	0	50	21	0	19	58	0	0	20	0	13	0	181
09:45	0	51	23	0	16	59	0	0	17	0	19	0	185
Total	0	229	89	0	70	227	0	0	60	0	59	0	734
10:00	0	64	20	0	14	58	0	0	19	0	12	0	187
10:15	0	49	19	0	14	56	0	0	15	0	7	0	160
10:30	0	43	14	0	13	48	0	0	13	0	7	0	138
10:45	0	48	20	0	15	54	0	0	16	0	24	0	177
Total	0	204	73	0	56	216	0	0	63	0	50	0	662
11:00	0	44	24	0	18	51	0	0	19	0	11	0	167
11:15	0	43	15	0	12	57	0	0	16	0	12	0	155
11:30	0	67	24	0	19	74	0	0	18	0	19	0	221
11:45	0	51	20	0	13	62	0	0	20	0	15	0	181
Total	0	205	83	0	62	244	0	0	73	0	57	0	724
12:00	0	48	29	0	17	75	0	0	13	0	12	0	194
12:15	0	51	17	0	19	47	0	0	18	0	12	0	164
12:30	0	59	22	0	17	59	0	0	24	0	18	0	199
12:45	0	70	31	0	21	84	0	0	24	0	14	0	244
Total	0	228	99	0	74	265	0	0	79	0	56	0	801
13:00	0	80	21	0	14	57	0	0	15	0	10	0	197
13:15	0	80	29	0	18	62	0	0	23	0	20	0	232
13:30	0	65	23	0	29	65	0	0	17	0	18	0	217
13:45	0	63	27	0	21	52	0	0	21	0	19	0	203
Total	0	288	100	0	82	236	0	0	76	0	67	0	849
14:00	0	81	47	0	23	83	0	0	29	0	13	0	276
14:15	0	85	47	0	19	66	0	0	119	0	48	0	384
14:30	0	78	33	0	25	71	0	0	63	0	20	0	290
14:45	0	75	46	0	19	70	0	0	26	0	30	0	266
Total	0	319	173	0	86	290	0	0	237	0	111	0	1216
15:00	0	101	38	0	24	73	0	0	41	0	27	0	304
15:15	0	80	48	0	25	98	0	0	55	0	24	0	330
15:30	0	102	54	0	39	97	0	0	46	0	19	0	357

# MN Dept of Transportation

TRAFFIC DATA COLLECTION - Metro

TH-120 at Larpentuer Avenue  
 Ref.Pt.: 005.214  
 video AL  
 TURN MOVEMENT COUNT

File Name : TH-120 at Larpentuer Ave 2-16  
 Site Code :  
 Start Date : 4/13/2016  
 Page No : 2

Groups Printed- Cars +

Start Time	TH-120 / Century Ave. Southbound				TH-120 / Century Ave. Northbound				Larpentuer Ave. Eastbound				Int. Total
	Left	Thru	Right	Peds	Left	Thru	Right	Peds	Left	Thru	Right	Peds	
15:45	0	95	46	0	38	87	0	0	48	0	23	0	337
Total	0	378	186	0	126	355	0	0	190	0	93	0	1328
16:00	0	93	86	0	30	90	0	0	36	0	37	0	372
16:15	0	103	62	0	34	100	0	0	43	0	43	0	385
16:30	0	88	52	0	22	83	0	0	53	0	37	0	335
16:45	0	120	42	0	30	115	0	0	49	0	38	0	394
Total	0	404	242	0	116	388	0	0	181	0	155	0	1486
17:00	0	112	54	0	33	92	0	0	51	0	28	0	370
17:15	0	114	47	0	37	92	0	0	50	0	31	0	371
17:30	0	92	42	0	34	106	0	0	55	0	41	0	370
17:45	0	81	46	0	29	93	0	0	37	0	30	0	316
Total	0	399	189	0	133	383	0	0	193	0	130	0	1427
Grand Total	0	3413	1873	0	1076	3304	0	0	1491	0	943	0	12100
Apprch %	0	64.6	35.4	0	24.6	75.4	0	0	61.3	0	38.7	0	
Total %	0	28.2	15.5	0	8.9	27.3	0	0	12.3	0	7.8	0	

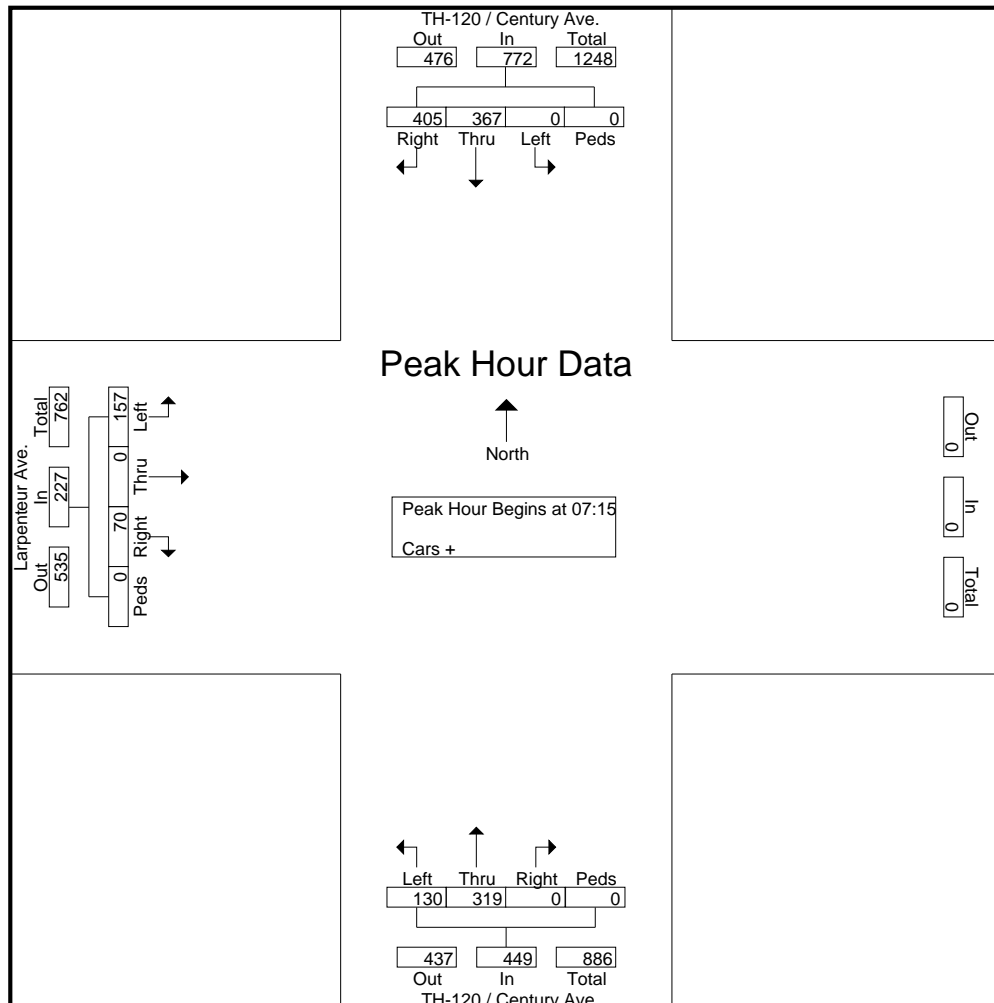
# MN Dept of Transportation

TRAFFIC DATA COLLECTION - Metro

TH-120 at Larpentuer Avenue  
 Ref.Pt.: 005.214  
 video AL  
 TURN MOVEMENT COUNT

File Name : TH-120 at Larpentuer Ave 2-16  
 Site Code :  
 Start Date : 4/13/2016  
 Page No : 3

Start Time	TH-120 / Century Ave. Southbound					TH-120 / Century Ave. Northbound					Larpentuer Ave. Eastbound					Int. Total
	Left	Thru	Right	Peds	App. Total	Left	Thru	Right	Peds	App. Total	Left	Thru	Right	Peds	App. Total	
Peak Hour Analysis From 06:00 to 11:45 - Peak 1 of 1																
Peak Hour for Entire Intersection Begins at 07:15																
07:15	0	63	205	0	268	51	66	0	0	117	47	0	23	0	70	455
07:30	0	114	105	0	219	27	75	0	0	102	67	0	16	0	83	404
07:45	0	89	54	0	143	20	76	0	0	96	23	0	15	0	38	277
08:00	0	101	41	0	142	32	102	0	0	134	20	0	16	0	36	312
Total Volume	0	367	405	0	772	130	319	0	0	449	157	0	70	0	227	1448
% App. Total	0	47.5	52.5	0		29	71	0	0		69.2	0	30.8	0		
PHF	.000	.805	.494	.000	.720	.637	.782	.000	.000	.838	.586	.000	.761	.000	.684	.796



# MN Dept of Transportation

TRAFFIC DATA COLLECTION - Metro

TH-120 at Larpentuer Avenue  
 Ref.Pt.: 005.214  
 video AL  
 TURN MOVEMENT COUNT

File Name : TH-120 at Larpentuer Ave 2-16  
 Site Code :  
 Start Date : 4/13/2016  
 Page No : 4

Start Time	TH-120 / Century Ave. Southbound					TH-120 / Century Ave. Northbound					Larpentuer Ave. Eastbound					Int. Total
	Left	Thru	Right	Peds	App. Total	Left	Thru	Right	Peds	App. Total	Left	Thru	Right	Peds	App. Total	
Peak Hour Analysis From 12:00 to 17:45 - Peak 1 of 1																
Peak Hour for Entire Intersection Begins at 16:45																
16:45	0	120	42	0	162	30	115	0	0	145	49	0	38	0	87	394
17:00	0	112	54	0	166	33	92	0	0	125	51	0	28	0	79	370
17:15	0	114	47	0	161	37	92	0	0	129	50	0	31	0	81	371
17:30	0	92	42	0	134	34	106	0	0	140	55	0	41	0	96	370
Total Volume	0	438	185	0	623	134	405	0	0	539	205	0	138	0	343	1505
% App. Total	0	70.3	29.7	0		24.9	75.1	0	0		59.8	0	40.2	0		
PHF	.000	.913	.856	.000	.938	.905	.880	.000	.000	.929	.932	.000	.841	.000	.893	.955

