



# MINNESOTA DEPT OF TRANSPORTATION

## TRAFFIC DATA COLLECTION - METRO

TH-120 at Joy Rd / Hadley Ave  
 Ref.Pt.: 007.944  
 Data by: RE  
 TURN MOVEMENT COUNT

File Name : TH-120 at Joy Rd -Hadley Ave 2013  
 Site Code :  
 Start Date : 4/25/2013  
 Page No : 1

Groups Printed- Cars +

Start Time	TH-120 / Century Ave Southbound				Hadley Ave Westbound				TH-120 / Century Ave Northbound				Joy Rd Eastbound				Int. Total
	Left	Thru	Right	Peds	Left	Thru	Right	Peds	Left	Thru	Right	Peds	Left	Thru	Right	Peds	
06:00	12	34	1	0	0	3	15	0	4	39	0	0	8	0	2	0	118
06:15	10	34	4	0	0	3	15	0	1	51	0	0	11	2	3	0	134
06:30	10	56	2	0	1	1	12	0	3	50	4	0	7	1	1	0	148
06:45	16	63	4	0	1	5	14	0	0	72	0	0	15	2	2	0	194
Total	48	187	11	0	2	12	56	0	8	212	4	0	41	5	8	0	594
07:00	9	59	5	0	3	11	25	0	2	87	1	0	13	4	1	0	220
07:15	18	72	9	0	3	6	24	0	2	125	2	0	20	0	2	0	283
07:30	18	95	8	0	0	5	37	0	3	154	1	0	30	6	1	0	358
07:45	17	81	8	0	9	4	27	0	4	115	5	0	22	4	6	0	302
Total	62	307	30	0	15	26	113	0	11	481	9	0	85	14	10	0	1163
08:00	26	81	11	0	1	5	21	0	1	84	1	0	19	3	1	0	254
08:15	22	52	9	0	4	1	29	0	2	78	2	0	11	2	3	0	215
08:30	13	66	5	0	3	3	14	0	7	91	0	0	18	4	2	0	226
08:45	19	87	13	0	4	6	13	0	5	79	1	0	18	2	1	0	248
Total	80	286	38	0	12	15	77	0	15	332	4	0	66	11	7	0	943
*****BREAK*****																	
15:00	34	95	19	0	0	12	29	0	9	63	6	0	9	12	10	0	298
15:15	33	119	28	0	3	6	42	0	4	104	4	0	14	14	5	0	376
15:30	41	121	23	0	4	17	33	0	8	98	4	0	17	21	10	0	397
15:45	36	102	22	0	3	18	27	0	6	111	3	0	13	14	3	0	358
Total	144	437	92	0	10	53	131	0	27	376	17	0	53	61	28	0	1429
16:00	41	113	26	0	6	11	37	0	7	91	6	0	30	17	7	0	392
16:15	35	100	18	0	3	11	33	0	10	86	4	0	18	19	4	0	341
16:30	31	102	27	0	1	9	20	0	12	115	2	0	11	12	6	0	348
16:45	47	87	17	0	1	16	32	0	8	112	4	0	30	18	7	0	379
Total	154	402	88	0	11	47	122	0	37	404	16	0	89	66	24	0	1460
17:00	41	95	26	0	2	10	33	0	4	120	6	0	20	9	9	0	375
17:15	47	113	36	0	4	16	29	0	14	121	4	0	25	32	6	0	447
17:30	40	94	16	0	3	11	53	0	10	142	5	0	20	15	8	0	417
17:45	33	90	30	0	2	15	36	0	4	121	3	0	26	27	2	0	389
Total	161	392	108	0	11	52	151	0	32	504	18	0	91	83	25	0	1628
Grand Total	649	2011	367	0	61	205	650	0	130	2309	68	0	425	240	102	0	7217
Apprch %	21.4	66.4	12.1	0	6.7	22.4	71	0	5.2	92.1	2.7	0	55.4	31.3	13.3	0	
Total %	9	27.9	5.1	0	0.8	2.8	9	0	1.8	32	0.9	0	5.9	3.3	1.4	0	



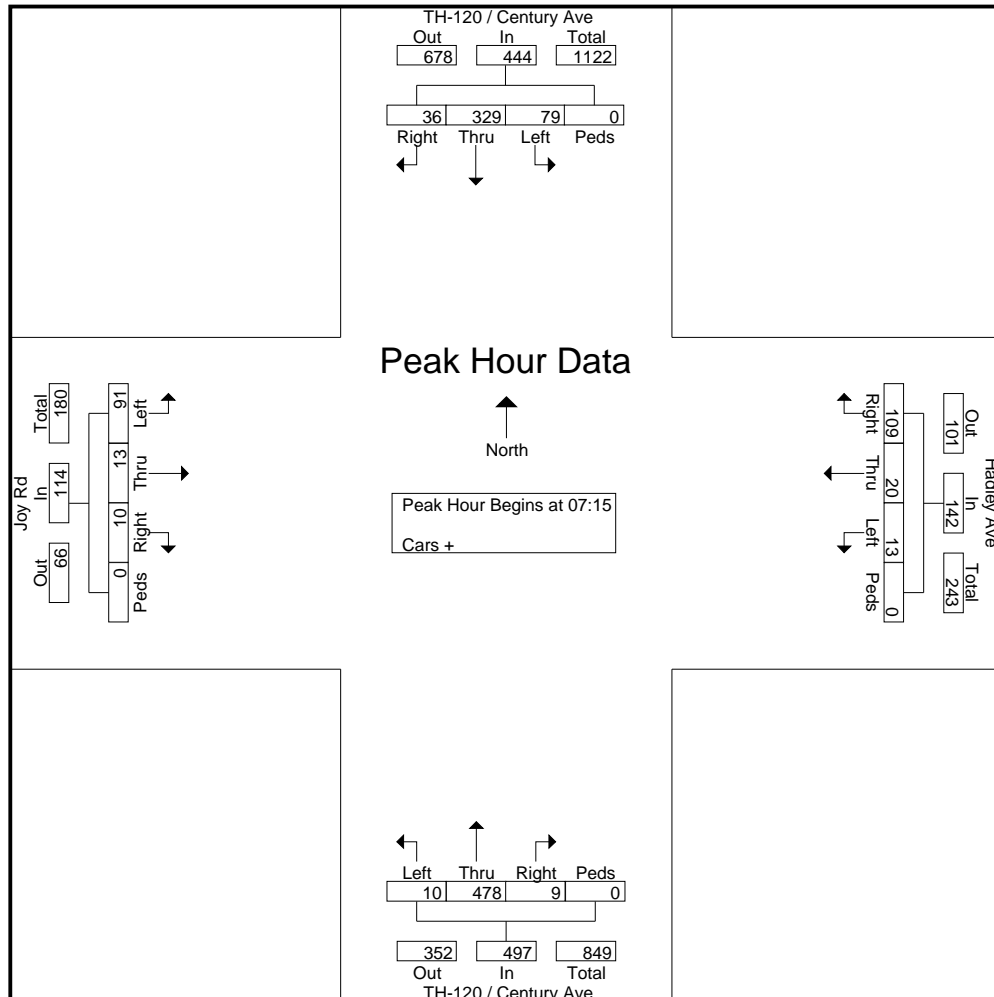
# MINNESOTA DEPT OF TRANSPORTATION

## TRAFFIC DATA COLLECTION - METRO

TH-120 at Joy Rd / Hadley Ave  
 Ref.Pt.: 007.944  
 Data by: RE  
 TURN MOVEMENT COUNT

File Name : TH-120 at Joy Rd -Hadley Ave 2013  
 Site Code :  
 Start Date : 4/25/2013  
 Page No : 2

Start Time	TH-120 / Century Ave Southbound					Hadley Ave Westbound					TH-120 / Century Ave Northbound					Joy Rd Eastbound					Int. Total
	Left	Thru	Right	Peds	App. Total	Left	Thru	Right	Peds	App. Total	Left	Thru	Right	Peds	App. Total	Left	Thru	Right	Peds	App. Total	
Peak Hour Analysis From 06:00 to 08:45 - Peak 1 of 1																					
Peak Hour for Entire Intersection Begins at 07:15																					
07:15	18	72	9	0	99	3	6	24	0	33	2	125	2	0	129	20	0	2	0	22	283
07:30	18	95	8	0	121	0	5	37	0	42	3	154	1	0	158	30	6	1	0	37	358
07:45	17	81	8	0	106	9	4	27	0	40	4	115	5	0	124	22	4	6	0	32	302
08:00	26	81	11	0	118	1	5	21	0	27	1	84	1	0	86	19	3	1	0	23	254
Total Volume	79	329	36	0	444	13	20	109	0	142	10	478	9	0	497	91	13	10	0	114	1197
% App. Total	17.8	74.1	8.1	0		9.2	14.1	76.8	0		2	96.2	1.8	0		79.8	11.4	8.8	0		
PHF	.760	.866	.818	.000	.917	.361	.833	.736	.000	.845	.625	.776	.450	.000	.786	.758	.542	.417	.000	.770	.836





# MINNESOTA DEPT OF TRANSPORTATION

## TRAFFIC DATA COLLECTION - METRO

TH-120 at Joy Rd / Hadley Ave  
 Ref.Pt.: 007.944  
 Data by: RE  
 TURN MOVEMENT COUNT

File Name : TH-120 at Joy Rd -Hadley Ave 2013  
 Site Code :  
 Start Date : 4/25/2013  
 Page No : 3

Start Time	TH-120 / Century Ave Southbound					Hadley Ave Westbound					TH-120 / Century Ave Northbound					Joy Rd Eastbound					Int. Total
	Left	Thru	Right	Peds	App. Total	Left	Thru	Right	Peds	App. Total	Left	Thru	Right	Peds	App. Total	Left	Thru	Right	Peds	App. Total	
Peak Hour Analysis From 15:00 to 17:45 - Peak 1 of 1																					
Peak Hour for Entire Intersection Begins at 17:00																					
17:00	41	95	26	0	162	2	10	33	0	45	4	120	6	0	130	20	9	9	0	38	375
17:15	47	113	36	0	196	4	16	29	0	49	14	121	4	0	139	25	32	6	0	63	447
17:30	40	94	16	0	150	3	11	53	0	67	10	142	5	0	157	20	15	8	0	43	417
17:45	33	90	30	0	153	2	15	36	0	53	4	121	3	0	128	26	27	2	0	55	389
Total Volume	161	392	108	0	661	11	52	151	0	214	32	504	18	0	554	91	83	25	0	199	1628
% App. Total	24.4	59.3	16.3	0		5.1	24.3	70.6	0		5.8	91	3.2	0		45.7	41.7	12.6	0		
PHF	.856	.867	.750	.000	.843	.688	.813	.712	.000	.799	.571	.887	.750	.000	.882	.875	.648	.694	.000	.790	.911

