

TRAFFIC DATA INC.

3268 Xenwood Ave S
St Louis Park, MN 55416

TH-13 at Diffley Rd / CSAH-30
Ref.Pt.: 101.231
Data by: Traffic Data Inc.
TURN MOVEMENT COUNT

File Name : TH-13 at Diffley Rd CSAH-30 2009
Site Code : 01829139
Start Date : 5/12/2009
Page No : 1

Groups Printed- Unshifted

Start Time	TH-13 Southbound				Diffley Rd / CSAH-30 Westbound				TH-13 Northbound				Cedarbridge Ave. Eastbound				Int. Total
	Left	Thru	Right	Peds	Left	Thru	Right	Peds	Left	Thru	Right	Peds	Left	Thru	Right	Peds	
06:00	2	51	0	0	23	0	16	0	0	185	30	0	3	3	3	0	316
06:15	0	46	2	0	28	0	17	0	1	229	35	0	8	1	2	0	369
06:30	3	78	0	0	34	1	19	0	3	257	59	0	8	7	1	0	470
06:45	3	98	2	2	54	3	18	0	1	288	68	0	11	9	7	0	564
Total	8	273	4	2	139	4	70	0	5	959	192	0	30	20	13	0	1719
07:00	4	94	1	0	55	5	26	0	5	304	90	1	10	12	11	0	618
07:15	8	137	1	0	60	6	22	0	0	393	119	0	12	14	6	0	778
07:30	7	124	0	0	69	8	26	0	1	488	97	0	19	14	5	0	858
07:45	8	172	2	0	54	5	32	0	5	440	81	0	7	8	3	0	817
Total	27	527	4	0	238	24	106	0	11	1625	387	1	48	48	25	0	3071
08:00	7	116	3	0	46	3	16	0	2	328	55	0	11	7	7	0	601
08:15	11	151	2	0	55	4	31	0	1	264	61	0	8	6	8	0	602
08:30	9	125	1	0	52	2	10	0	5	261	43	0	11	5	5	0	529
08:45	11	117	2	0	35	3	11	0	2	219	47	0	12	5	5	0	469
Total	38	509	8	0	188	12	68	0	10	1072	206	0	42	23	25	0	2201
*** BREAK ***																	
11:00	15	112	1	0	29	2	11	0	7	102	40	0	2	8	2	0	331
11:15	9	103	3	0	36	5	10	0	2	135	40	0	4	6	8	0	361
11:30	9	106	3	1	36	4	11	1	3	139	36	0	4	0	1	1	355
11:45	3	109	6	1	40	6	14	0	4	138	33	0	4	5	1	0	364
Total	36	430	13	2	141	17	46	1	16	514	149	0	14	19	12	1	1411
12:00	17	138	10	0	38	6	9	0	2	117	41	0	4	5	2	0	389
12:15	6	110	7	0	37	6	9	0	3	127	43	0	3	12	6	0	369
12:30	13	146	4	0	43	5	16	0	2	129	42	0	3	5	5	0	413
12:45	7	121	4	0	42	7	16	0	0	133	39	0	4	8	3	0	384
Total	43	515	25	0	160	24	50	0	7	506	165	0	14	30	16	0	1555
*** BREAK ***																	
15:00	12	213	5	0	43	8	6	0	7	144	53	1	6	5	7	0	510
15:15	6	217	3	0	51	10	12	0	4	131	52	3	7	5	5	1	507
15:30	12	273	7	0	59	7	9	1	7	167	43	0	2	3	2	0	592
15:45	22	290	5	0	74	9	5	0	3	168	58	0	6	4	4	0	648
Total	52	993	20	0	227	34	32	1	21	610	206	4	21	17	18	1	2257
16:00	11	326	9	3	64	12	15	0	4	160	51	3	6	6	2	0	672
16:15	16	319	14	0	59	3	16	0	7	171	90	0	6	3	1	0	705
16:30	12	409	7	0	65	12	13	0	4	187	88	1	4	13	6	0	821
16:45	15	430	8	0	69	8	8	0	4	184	84	0	3	8	6	0	827
Total	54	1484	38	3	257	35	52	0	19	702	313	4	19	30	15	0	3025
17:00	24	413	17	0	64	10	15	0	6	201	95	1	3	8	7	0	864
17:15	15	405	17	3	73	11	13	0	4	188	88	1	4	5	7	1	835
17:30	10	377	12	2	71	5	11	0	4	190	74	2	5	13	8	0	784
17:45	22	301	14	0	55	7	6	0	7	172	79	0	2	8	4	0	677
Total	71	1496	60	5	263	33	45	0	21	751	336	4	14	34	26	1	3160
Grand Total	329	6227	172	12	1613	183	469	2	110	6739	1954	13	202	221	150	3	18399
Apprch %	4.9	92.4	2.6	0.2	71.2	8.1	20.7	0.1	1.2	76.4	22.2	0.1	35.1	38.4	26	0.5	
Total %	1.8	33.8	0.9	0.1	8.8	1	2.5	0	0.6	36.6	10.6	0.1	1.1	1.2	0.8	0	

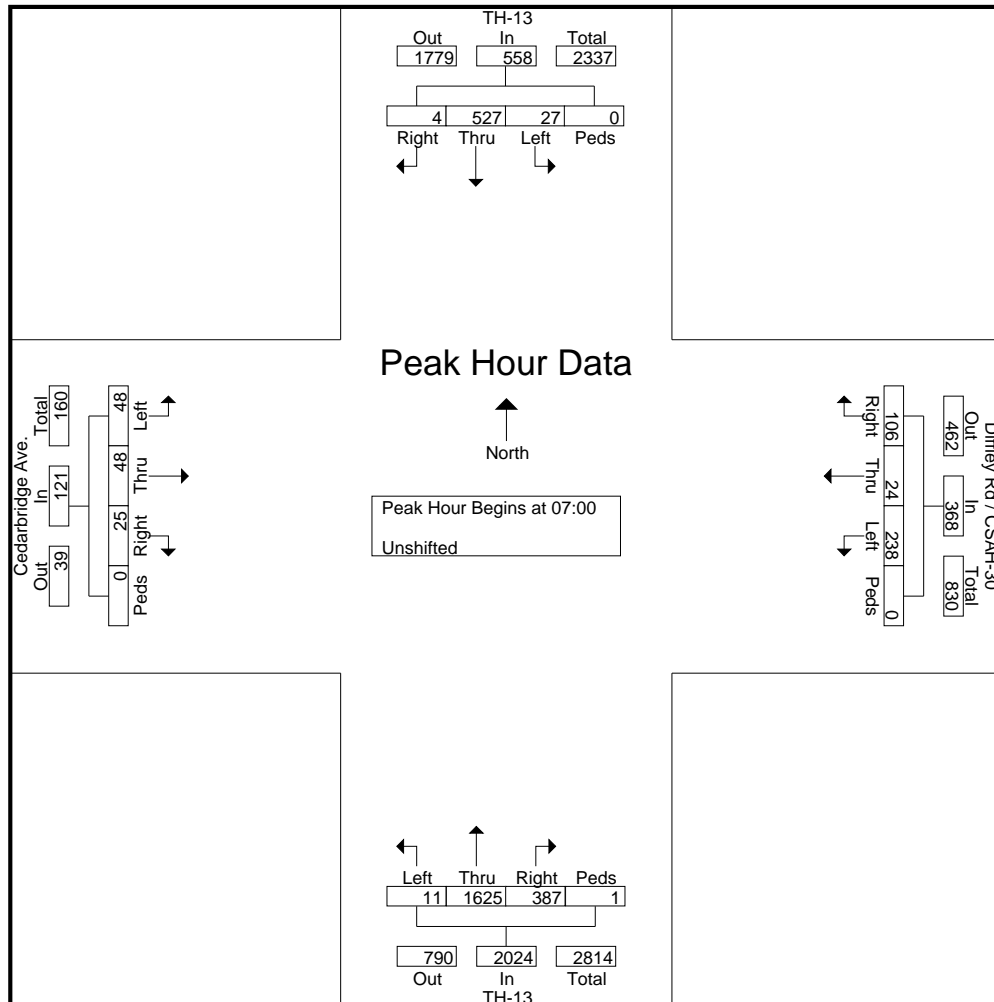
TRAFFIC DATA INC.

3268 Xenwood Ave S
St Louis Park, MN 55416

TH-13 at Diffley Rd / CSAH-30
Ref.Pt.: 101.231
Data by: Traffic Data Inc.
TURN MOVEMENT COUNT

File Name : TH-13 at Diffley Rd CSAH-30 2009
Site Code : 01829139
Start Date : 5/12/2009
Page No : 2

Start Time	TH-13 Southbound					Diffley Rd / CSAH-30 Westbound					TH-13 Northbound					Cedarbridge Ave. Eastbound					Int. Total
	Left	Thru	Right	Peds	App. Total	Left	Thru	Right	Peds	App. Total	Left	Thru	Right	Peds	App. Total	Left	Thru	Right	Peds	App. Total	
Peak Hour Analysis From 06:00 to 08:45 - Peak 1 of 1																					
Peak Hour for Entire Intersection Begins at 07:00																					
07:00	4	94	1	0	99	55	5	26	0	86	5	304	90	1	400	10	12	11	0	33	618
07:15	8	137	1	0	146	60	6	22	0	88	0	393	119	0	512	12	14	6	0	32	778
07:30	7	124	0	0	131	69	8	26	0	103	1	488	97	0	586	19	14	5	0	38	858
07:45	8	172	2	0	182	54	5	32	0	91	5	440	81	0	526	7	8	3	0	18	817
Total Volume	27	527	4	0	558	238	24	106	0	368	11	1625	387	1	2024	48	48	25	0	121	3071
% App. Total	4.8	94.4	0.7	0		64.7	6.5	28.8	0		0.5	80.3	19.1	0		39.7	39.7	20.7	0		
PHF	.844	.766	.500	.000	.766	.862	.750	.828	.000	.893	.550	.832	.813	.250	.863	.632	.857	.568	.000	.796	.895



TRAFFIC DATA INC.

3268 Xenwood Ave S
St Louis Park, MN 55416

TH-13 at Diffley Rd / CSAH-30
Ref.Pt.: 101.231
Data by: Traffic Data Inc.
TURN MOVEMENT COUNT

File Name : TH-13 at Diffley Rd CSAH-30 2009
Site Code : 01829139
Start Date : 5/12/2009
Page No : 3

Start Time	TH-13 Southbound					Diffley Rd / CSAH-30 Westbound					TH-13 Northbound					Cedarbridge Ave. Eastbound					Int. Total
	Left	Thru	Right	Peds	App. Total	Left	Thru	Right	Peds	App. Total	Left	Thru	Right	Peds	App. Total	Left	Thru	Right	Peds	App. Total	
Peak Hour Analysis From 15:00 to 17:45 - Peak 1 of 1																					
Peak Hour for Entire Intersection Begins at 16:30																					
16:30	12	409	7	0	428	65	12	13	0	90	4	187	88	1	280	4	13	6	0	23	821
16:45	15	430	8	0	453	69	8	8	0	85	4	184	84	0	272	3	8	6	0	17	827
17:00	24	413	17	0	454	64	10	15	0	89	6	201	95	1	303	3	8	7	0	18	864
17:15	15	405	17	3	440	73	11	13	0	97	4	188	88	1	281	4	5	7	1	17	835
Total Volume	66	1657	49	3	1775	271	41	49	0	361	18	760	355	3	1136	14	34	26	1	75	3347
% App. Total	3.7	93.4	2.8	0.2		75.1	11.4	13.6	0		1.6	66.9	31.2	0.3		18.7	45.3	34.7	1.3		
PHF	.688	.963	.721	.250	.977	.928	.854	.817	.000	.930	.750	.945	.934	.750	.937	.875	.654	.929	.250	.815	.968

