



MINNESOTA DEPT OF TRANSPORTATION

TRAFFIC DATA COLLECTION - METRO

TH-149 AT BLUE GENTIAN RD / NW PKWY Name : TH-149 AT BLUE GENTIAN RD - NW PKWY 2007
 REF.PT.: 003.761 Site Code : 00198724
 DATA COLLECTED BY TDI Start Date : 5/17/2007
 TURN MOVEMENT COUNT Page No : 1

Groups Printed- Unshifted

Start Time	TH-149 / DODD RD. Southbound				Northwest Pkwy Westbound				TH-149 / DODD RD. Northbound				Blue Gentian Rd Eastbound				Int. Total
	Left	Thru	Right	Peds	Left	Thru	Right	Peds	Left	Thru	Right	Peds	Left	Thru	Right	Peds	
06:00	54	107	15	0	0	1	3	0	0	50	2	1	3	2	0	0	238
06:15	59	114	27	0	0	0	0	0	1	83	1	0	3	1	0	0	289
06:30	61	160	32	0	1	0	5	1	1	111	3	0	4	4	0	0	383
06:45	109	169	75	0	0	0	3	0	3	99	5	0	7	2	0	0	472
Total	283	550	149	0	1	1	11	1	5	343	11	1	17	9	0	0	1382
07:00	85	158	76	0	6	1	14	0	3	123	10	0	7	5	1	1	490
07:15	102	199	80	0	2	3	5	0	7	146	12	0	7	3	1	0	567
07:30	85	221	71	0	3	1	7	0	8	176	5	0	5	4	1	0	587
07:45	125	235	110	0	0	2	7	0	9	139	17	0	4	6	3	0	657
Total	397	813	337	0	11	7	33	0	27	584	44	0	23	18	6	1	2301
08:00	115	200	104	0	2	2	4	0	12	124	15	0	13	8	4	0	603
08:15	100	178	61	0	0	4	3	0	11	110	17	0	7	4	0	0	495
08:30	121	136	50	0	0	0	11	0	6	133	12	0	12	13	3	0	497
08:45	74	152	52	0	2	2	7	0	5	121	12	0	7	2	7	0	443
Total	410	666	267	0	4	8	25	0	34	488	56	0	39	27	14	0	2038
*** BREAK ***																	
11:00	22	99	21	0	0	0	25	0	2	109	0	0	23	3	8	0	312
11:15	26	90	22	0	6	6	22	0	2	98	3	0	30	2	14	0	321
11:30	20	98	22	0	7	4	55	1	3	130	0	0	33	1	16	1	391
11:45	16	107	38	0	9	6	48	0	9	116	6	0	44	5	17	0	421
Total	84	394	103	0	22	16	150	1	16	453	9	0	130	11	55	1	1445
12:00	21	95	28	0	11	8	28	0	7	127	4	0	42	5	19	0	395
12:15	35	82	44	0	8	3	33	0	13	130	3	0	34	2	18	0	405
12:30	55	119	41	0	9	8	25	0	10	119	7	0	38	7	14	0	452
12:45	55	101	35	0	5	4	13	0	5	90	5	0	36	5	8	1	363
Total	166	397	148	0	33	23	99	0	35	466	19	0	150	19	59	1	1615
*** BREAK ***																	
15:00	8	122	18	1	4	7	63	1	4	189	1	1	37	1	11	0	468
15:15	11	88	22	0	4	2	48	0	5	145	5	0	44	1	8	0	383
15:30	16	131	25	0	10	5	62	0	2	209	3	0	63	0	5	1	532
15:45	19	157	24	0	9	2	64	0	2	165	1	0	43	7	6	0	499
Total	54	498	89	1	27	16	237	1	13	708	10	1	187	9	30	1	1882
16:00	15	124	16	0	12	5	78	0	0	201	5	0	80	1	20	0	557
16:15	5	156	11	0	8	12	68	0	3	183	4	0	45	0	10	1	506
16:30	13	162	15	0	13	13	107	0	4	211	2	0	83	3	8	0	634
16:45	13	183	11	0	6	13	86	0	3	205	0	0	73	8	12	0	613
Total	46	625	53	0	39	43	339	0	10	800	11	0	281	12	50	1	2310
17:00	9	193	16	0	14	17	113	0	4	244	1	0	74	11	12	1	709
17:15	8	199	18	0	11	9	101	0	1	219	0	0	61	2	9	0	638
17:30	3	201	16	0	5	7	65	0	2	189	1	0	48	0	14	1	552
17:45	5	145	15	0	5	7	41	0	2	152	0	0	24	2	5	0	403
Total	25	738	65	0	35	40	320	0	9	804	2	0	207	15	40	2	2302



MINNESOTA DEPT OF TRANSPORTATION
 TRAFFIC DATA COLLECTION - METRO

TH-149 AT BLUE GENTIAN RD / NW PKWY : TH-149 AT BLUE GENTIAN RD - NW PKWY 2007
 REF.PT.: 003.761 Site Code : 00198724
 DATA COLLECTED BY TDI Start Date : 5/17/2007
 TURN MOVEMENT COUNT Page No : 2

Groups Printed- Unshifted

	TH-149 / DODD RD. Southbound				Northwest Pkwy Westbound				TH-149 / DODD RD. Northbound				Blue Gentian Rd Eastbound				Int. Total
	Left	Thru	Right	Peds	Left	Thru	Right	Peds	Left	Thru	Right	Peds	Left	Thru	Right	Peds	
Grand Total	1465	4681	1211	1	172	154	1214	3	149	4646	162	2	1034	120	254	7	15275
Apprch %	19.9	63.6	16.5	0	11.1	10	78.7	0.2	3	93.7	3.3	0	73.1	8.5	18	0.5	
Total %	9.6	30.6	7.9	0	1.1	1	7.9	0	1	30.4	1.1	0	6.8	0.8	1.7	0	

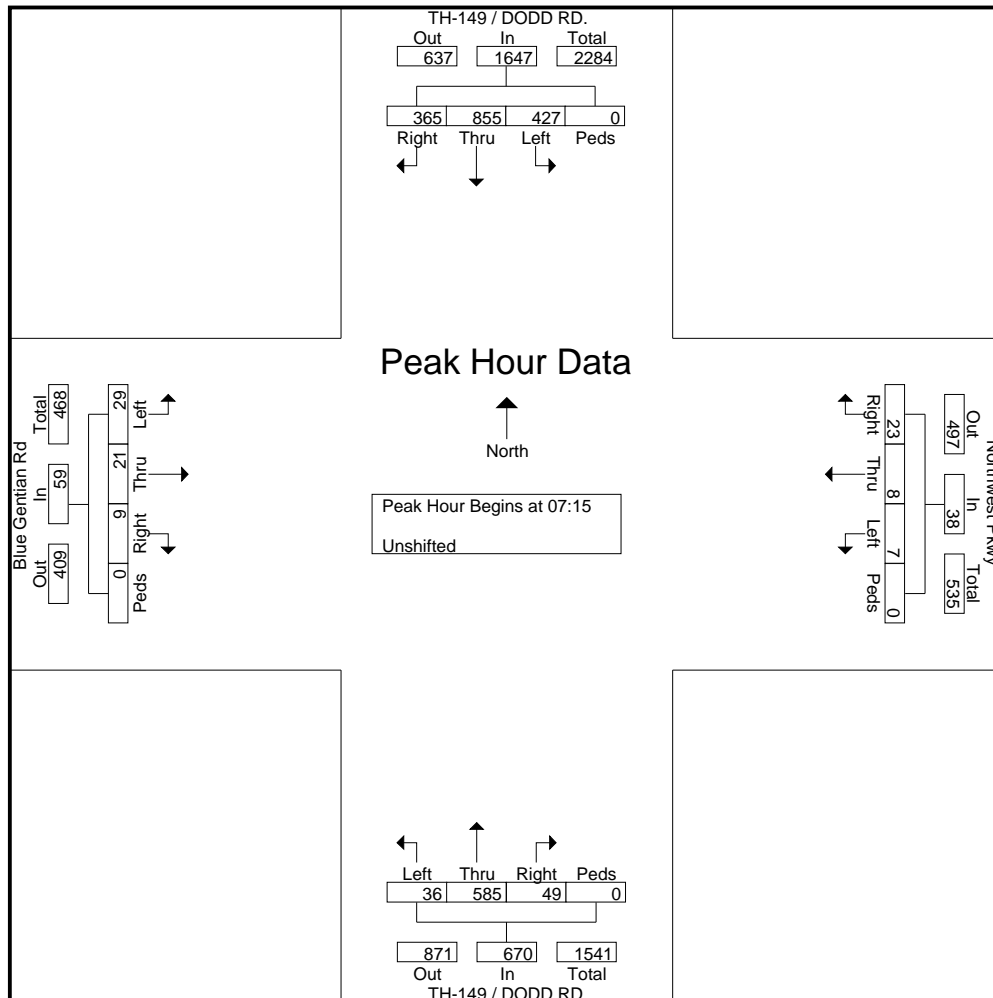


MINNESOTA DEPT OF TRANSPORTATION

TRAFFIC DATA COLLECTION - METRO

TH-149 AT BLUE GENTIAN RD / NW PKWY File Name : TH-149 AT BLUE GENTIAN RD - NW PKWY 2007
 REF.PT.: 003.761 Site Code : 00198724
 DATA COLLECTED BY TDI Start Date : 5/17/2007
 TURN MOVEMENT COUNT Page No : 3

Start Time	TH-149 / DODD RD. Southbound					Northwest Pkwy Westbound					TH-149 / DODD RD. Northbound					Blue Gentian Rd Eastbound					Int. Total
	Left	Thru	Right	Peds	App. Total	Left	Thru	Right	Peds	App. Total	Left	Thru	Right	Peds	App. Total	Left	Thru	Right	Peds	App. Total	
Peak Hour Analysis From 06:00 to 08:45 - Peak 1 of 1																					
Peak Hour for Entire Intersection Begins at 07:15																					
07:15	102	199	80	0	381	2	3	5	0	10	7	146	12	0	165	7	3	1	0	11	567
07:30	85	221	71	0	377	3	1	7	0	11	8	176	5	0	189	5	4	1	0	10	587
07:45	125	235	110	0	470	0	2	7	0	9	9	139	17	0	165	4	6	3	0	13	657
08:00	115	200	104	0	419	2	2	4	0	8	12	124	15	0	151	13	8	4	0	25	603
Total Volume	427	855	365	0	1647	7	8	23	0	38	36	585	49	0	670	29	21	9	0	59	2414
% App. Total	25.9	51.9	22.2	0		18.4	21.1	60.5	0		5.4	87.3	7.3	0		49.2	35.6	15.3	0		
PHF	.854	.910	.830	.000	.876	.583	.667	.821	.000	.864	.750	.831	.721	.000	.886	.558	.656	.563	.000	.590	.919





MINNESOTA DEPT OF TRANSPORTATION

TRAFFIC DATA COLLECTION - METRO

TH-149 AT BLUE GENTIAN RD / NW PKWY Name : TH-149 AT BLUE GENTIAN RD - NW PKWY 2007
 REF.PT.: 003.761 Site Code : 00198724
 DATA COLLECTED BY TDI Start Date : 5/17/2007
 TURN MOVEMENT COUNT Page No : 4

Start Time	TH-149 / DODD RD. Southbound					Northwest Pkwy Westbound					TH-149 / DODD RD. Northbound					Blue Gentian Rd Eastbound					Int. Total
	Left	Thru	Right	Peds	App. Total	Left	Thru	Right	Peds	App. Total	Left	Thru	Right	Peds	App. Total	Left	Thru	Right	Peds	App. Total	
Peak Hour Analysis From 15:00 to 17:45 - Peak 1 of 1																					
Peak Hour for Entire Intersection Begins at 16:30																					
16:30	13	162	15	0	190	13	13	107	0	133	4	211	2	0	217	83	3	8	0	94	634
16:45	13	183	11	0	207	6	13	86	0	105	3	205	0	0	208	73	8	12	0	93	613
17:00	9	193	16	0	218	14	17	113	0	144	4	244	1	0	249	74	11	12	1	98	709
17:15	8	199	18	0	225	11	9	101	0	121	1	219	0	0	220	61	2	9	0	72	638
Total Volume	43	737	60	0	840	44	52	407	0	503	12	879	3	0	894	291	24	41	1	357	2594
% App. Total	5.1	87.7	7.1	0		8.7	10.3	80.9	0		1.3	98.3	0.3	0		81.5	6.7	11.5	0.3		
PHF	.827	.926	.833	.000	.933	.786	.765	.900	.000	.873	.750	.901	.375	.000	.898	.877	.545	.854	.250	.911	.915

