

Alliant Engineering

Minneapolis, MN 55415

--TRAFFIC DATA --

TH-149 at Mendota Heights Rd

File Name : 112 - TH 149 & Mendota Heights Rd

Site Code : 112

BY: Alliant Eng.

Start Date : 11/18/2014

TURN MOVEMENT COUNT

Page No : 1

Groups Printed- Cars - Trucks

Start Time	TH 149 Southbound				Mendota Heights Rd Westbound				TH 149 Northbound				Mendota Heights Rd Eastbound				Int. Total
	Left	Thru	Rght	Bikes	Left	Thru	Rght	Bikes	Left	Thru	Rght	Bikes	Left	Thru	Rght	Bikes	
06:00	0	13	5	0	0	6	3	0	14	2	2	0	0	2	1	0	48
06:15	3	27	4	1	7	9	3	0	12	11	4	0	1	1	4	0	87
06:30	0	19	6	0	8	5	5	0	16	13	3	0	1	2	1	0	79
06:45	4	37	9	0	13	12	17	0	32	29	3	0	2	4	9	0	171
Total	7	96	24	1	28	32	28	0	74	55	12	0	4	9	15	0	385
07:00	1	33	22	0	19	22	14	0	42	36	3	0	0	4	13	0	209
07:15	2	32	41	0	15	31	16	0	31	66	14	0	1	8	25	0	282
07:30	11	36	82	1	30	58	20	0	38	106	25	0	1	23	37	0	468
07:45	19	49	73	0	19	74	26	0	42	108	31	0	0	15	52	0	508
Total	33	150	218	1	83	185	76	0	153	316	73	0	2	50	127	0	1467
08:00	9	26	21	0	15	30	17	0	47	62	19	0	1	19	35	0	301
08:15	18	27	13	0	29	32	32	0	35	39	15	0	0	16	6	0	262
08:30	8	33	17	0	31	30	30	1	27	19	10	0	0	7	10	0	223
08:45	7	34	6	0	17	11	8	0	29	17	13	0	0	7	12	1	162
Total	42	120	57	0	92	103	87	1	138	137	57	0	1	49	63	1	948
09:00	5	26	7	0	16	9	8	0	16	27	7	0	0	6	9	0	136
09:15	4	24	8	0	10	12	6	0	24	20	4	0	0	2	6	0	120
*** BREAK ***																	
Total	9	50	15	0	26	21	14	0	40	47	11	0	0	8	15	0	256
*** BREAK ***																	
10:30	6	23	12	0	6	1	7	0	9	22	8	0	0	8	7	0	109
10:45	2	20	8	0	18	5	8	0	13	21	5	0	10	5	10	0	125
Total	8	43	20	0	24	6	15	0	22	43	13	0	10	13	17	0	234
11:00	2	19	3	0	9	4	1	0	9	27	9	0	7	7	13	0	110
11:15	12	18	4	0	6	3	5	0	7	35	10	0	4	5	8	0	117
11:30	5	20	8	0	12	13	11	0	20	34	11	0	4	5	12	0	155
11:45	11	26	8	0	12	3	8	0	15	44	10	0	9	9	15	0	170
Total	30	83	23	0	39	23	25	0	51	140	40	0	24	26	48	0	552
12:00	6	16	9	0	11	6	6	0	8	41	11	0	11	7	16	0	148
12:15	3	38	11	0	12	3	9	0	8	33	11	0	10	3	13	0	154
12:30	3	39	12	0	3	2	6	0	15	22	9	0	11	5	8	0	135
12:45	5	31	7	0	7	8	6	0	11	26	6	0	8	9	12	0	136
Total	17	124	39	0	33	19	27	0	42	122	37	0	40	24	49	0	573
13:00	4	33	10	0	15	9	2	0	6	17	11	0	5	4	10	0	126
13:15	5	26	12	0	11	3	4	0	11	19	8	0	6	4	15	0	124
*** BREAK ***																	
Total	9	59	22	0	26	12	6	0	17	36	19	0	11	8	25	0	250
*** BREAK ***																	
14:30	4	28	21	0	8	5	3	0	27	49	10	0	1	5	8	0	169
14:45	10	16	20	0	14	11	6	0	36	32	14	0	43	22	96	0	320
Total	14	44	41	0	22	16	9	0	63	81	24	0	44	27	104	0	489
15:00	12	23	8	0	9	10	5	0	23	42	18	0	28	14	69	0	261
15:15	19	30	12	0	28	20	32	0	19	39	20	0	23	26	56	0	324
15:30	8	31	14	0	14	16	21	0	18	51	9	0	16	15	63	0	276
15:45	6	23	10	0	11	7	7	0	22	52	10	0	20	14	51	0	233
Total	45	107	44	0	62	53	65	0	82	184	57	0	87	69	239	0	1094
16:00	2	21	5	0	17	13	7	0	12	68	20	0	12	16	46	0	239
16:15	10	30	4	0	12	5	7	0	18	60	11	0	15	16	40	0	228
16:30	7	22	14	0	11	6	6	0	22	59	18	0	16	12	53	0	246

Alliant Engineering

Minneapolis, MN 55415

--TRAFFIC DATA --

TH-149 at Mendota Heights Rd

File Name : 112 - TH 149 & Mendota Heights Rd

Site Code : 112

BY: Alliant Eng.

Start Date : 11/18/2014

TURN MOVEMENT COUNT

Page No : 2

Groups Printed- Cars - Trucks

Start Time	TH 149 Southbound				Mendota Heights Rd Westbound				TH 149 Northbound				Mendota Heights Rd Eastbound				Int. Total
	Left	Thru	Rght	Bikes	Left	Thru	Rght	Bikes	Left	Thru	Rght	Bikes	Left	Thru	Rght	Bikes	
16:45	9	50	19	0	7	6	4	0	17	60	24	0	19	29	47	0	291
Total	28	123	42	0	47	30	24	0	69	247	73	0	62	73	186	0	1004
17:00	5	25	10	0	13	7	5	0	27	71	25	0	36	23	42	3	292
17:15	10	28	14	0	12	5	12	0	22	68	27	0	33	23	60	0	314
17:30	7	21	7	0	11	8	4	0	5	66	28	0	13	24	35	0	229
17:45	16	25	12	0	6	10	11	0	19	57	20	0	10	24	32	0	242
Total	38	99	43	0	42	30	32	0	73	262	100	0	92	94	169	3	1077
Grand Total	280	1098	588	2	524	530	408	1	824	1670	516	0	377	450	1057	4	8329
Apprch %	14.2	55.8	29.9	0.1	35.8	36.2	27.9	0.1	27.4	55.5	17.1	0	20	23.8	56	0.2	
Total %	3.4	13.2	7.1	0	6.3	6.4	4.9	0	9.9	20.1	6.2	0	4.5	5.4	12.7	0	
Cars	274	1078	574	2	515	509	399	1	810	1640	507	0	361	441	1045	4	8160
% Cars	97.9	98.2	97.6	100	98.3	96	97.8	100	98.3	98.2	98.3	0	95.8	98	98.9	100	98
Trucks	6	20	14	0	9	21	9	0	14	30	9	0	16	9	12	0	169
% Trucks	2.1	1.8	2.4	0	1.7	4	2.2	0	1.7	1.8	1.7	0	4.2	2	1.1	0	2

Alliant Engineering

Minneapolis, MN 55415

--TRAFFIC DATA --

TH-149 at Mendota Heights Rd

File Name : 112 - TH 149 & Mendota Heights Rd

Site Code : 112

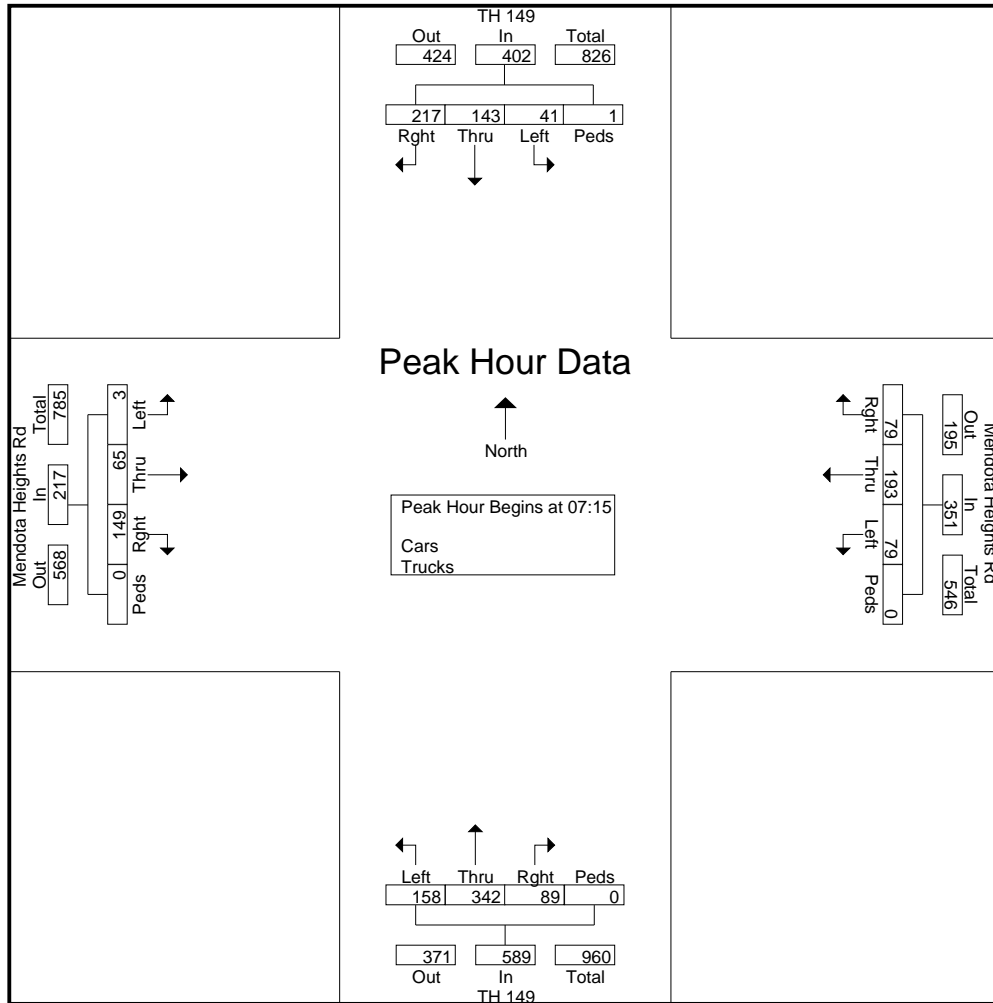
BY: Alliant Eng.

Start Date : 11/18/2014

TURN MOVEMENT COUNT

Page No : 3

Start Time	TH 149 Southbound					Mendota Heights Rd Westbound					TH 149 Northbound					Mendota Heights Rd Eastbound					Int. Total
	Left	Thru	Right	Bikes	App. Total	Left	Thru	Right	Bikes	App. Total	Left	Thru	Right	Bikes	App. Total	Left	Thru	Right	Bikes	App. Total	
Peak Hour Analysis From 06:00 to 11:45 - Peak 1 of 1																					
Peak Hour for Entire Intersection Begins at 07:15																					
07:15	2	32	41	0	75	15	31	16	0	62	31	66	14	0	111	1	8	25	0	34	282
07:30	11	36	82	1	130	30	58	20	0	108	38	106	25	0	169	1	23	37	0	61	468
07:45	19	49	73	0	141	19	74	26	0	119	42	108	31	0	181	0	15	52	0	67	508
08:00	9	26	21	0	56	15	30	17	0	62	47	62	19	0	128	1	19	35	0	55	301
Total Volume	41	143	217	1	402	79	193	79	0	351	158	342	89	0	589	3	65	149	0	217	1559
% App. Total	10.2	35.6	54	0.2		22.5	55	22.5	0		26.8	58.1	15.1	0		1.4	30	68.7	0		
PHF	.539	.730	.662	.250	.713	.658	.652	.760	.000	.737	.840	.792	.718	.000	.814	.750	.707	.716	.000	.810	.767



Alliant Engineering

Minneapolis, MN 55415

--TRAFFIC DATA --

TH-149 at Mendota Heights Rd

File Name : 112 - TH 149 & Mendota Heights Rd

Site Code : 112

BY: Alliant Eng.

Start Date : 11/18/2014

TURN MOVEMENT COUNT

Page No : 4

Start Time	TH 149 Southbound					Mendota Heights Rd Westbound					TH 149 Northbound					Mendota Heights Rd Eastbound					Int. Total
	Left	Thru	Rght	Bikes	App. Total	Left	Thru	Rght	Bikes	App. Total	Left	Thru	Rght	Bikes	App. Total	Left	Thru	Rght	Bikes	App. Total	
Peak Hour Analysis From 12:00 to 17:45 - Peak 1 of 1																					
Peak Hour for Entire Intersection Begins at 14:45																					
14:45	10	16	20	0	46	14	11	6	0	31	36	32	14	0	82	43	22	96	0	161	320
15:00	12	23	8	0	43	9	10	5	0	24	23	42	18	0	83	28	14	69	0	111	261
15:15	19	30	12	0	61	28	20	32	0	80	19	39	20	0	78	23	26	56	0	105	324
15:30	8	31	14	0	53	14	16	21	0	51	18	51	9	0	78	16	15	63	0	94	276
Total Volume	49	100	54	0	203	65	57	64	0	186	96	164	61	0	321	110	77	284	0	471	1181
% App. Total	24.1	49.3	26.6	0		34.9	30.6	34.4	0		29.9	51.1	19	0		23.4	16.3	60.3	0		
PHF	.645	.806	.675	.000	.832	.580	.713	.500	.000	.581	.667	.804	.763	.000	.967	.640	.740	.740	.000	.731	.911

