

TH 3 at Honey Locust Dr
 Carto Measure:11.015
 Data By: Short Elliott Hendrickson, Inc.
 TURN MOVEMENT COUNT

File Name : TH 3 & Honey Locust Dr 2019
 Site Code : 1d
 Start Date : 10/9/2019
 Page No : 1

Groups Printed- Vehicles - Trucks

Start Time	TH 3 Southbound					Honey Locust Dr Westbound					TH 3 Northbound					Honey Locust Dr Eastbound					Int. Total
	Right	Thru	Left	Peds	App. Total	Right	Thru	Left	Peds	App. Total	Right	Thru	Left	Peds	App. Total	Right	Thru	Left	Peds	App. Total	
06:00 AM	6	20	1	0	27	1	4	1	0	6	0	62	10	0	72	10	0	9	0	19	124
06:15 AM	6	45	4	0	55	4	7	2	0	13	0	83	10	0	93	7	1	7	0	15	176
06:30 AM	4	59	0	0	63	0	7	4	0	11	1	105	15	0	121	3	5	14	0	22	217
06:45 AM	7	63	9	0	79	8	2	5	0	15	2	101	12	0	115	4	1	13	0	18	227
Total	23	187	14	0	224	13	20	12	0	45	3	351	47	0	401	24	7	43	0	74	744
07:00 AM	12	74	6	0	92	2	5	4	0	11	0	98	8	0	106	8	3	12	0	23	232
07:15 AM	10	80	3	0	93	8	8	10	0	26	2	118	9	0	129	9	3	7	0	19	267
07:30 AM	9	83	5	0	97	2	8	13	0	23	2	154	12	0	168	10	1	11	0	22	310
07:45 AM	12	87	4	0	103	6	4	5	0	15	5	156	17	0	178	7	4	19	0	30	326
Total	43	324	18	0	385	18	25	32	0	75	9	526	46	0	581	34	11	49	0	94	1135
08:00 AM	12	71	13	0	96	11	7	7	0	25	2	128	12	0	142	5	6	12	0	23	286
08:15 AM	15	68	8	0	91	8	5	3	0	16	5	147	16	0	168	6	5	21	0	32	307
08:30 AM	18	77	8	0	103	6	7	5	0	18	6	148	7	0	161	10	5	26	0	41	323
08:45 AM	10	80	17	0	107	9	4	6	0	19	3	127	8	0	138	9	4	11	0	24	288
Total	55	296	46	0	397	34	23	21	0	78	16	550	43	0	609	30	20	70	0	120	1204
09:00 AM	19	93	15	0	127	14	6	9	0	29	3	114	9	0	126	10	0	16	0	26	308
09:15 AM	18	84	20	0	122	14	5	4	0	23	2	97	8	0	107	12	5	21	0	38	290
09:30 AM	8	87	13	0	108	22	6	12	0	40	1	104	5	0	110	7	5	14	0	26	284
09:45 AM	21	85	21	0	127	13	8	7	0	28	1	104	7	0	112	9	2	21	0	32	299
Total	66	349	69	0	484	63	25	32	0	120	7	419	29	0	455	38	12	72	0	122	1181
10:00 AM	12	90	13	0	115	18	4	14	0	36	3	97	10	0	110	7	5	22	0	34	295
10:15 AM	28	96	9	0	133	21	11	7	2	41	3	73	7	0	83	9	5	14	0	28	285
10:30 AM	7	92	22	0	121	11	7	11	0	29	5	86	5	0	96	13	8	11	0	32	278
10:45 AM	12	90	15	0	117	19	5	12	0	36	4	102	11	0	117	22	6	13	0	41	311
Total	59	368	59	0	486	69	27	44	2	142	15	358	33	0	406	51	24	60	0	135	1169
11:00 AM	18	82	22	0	122	18	6	14	0	38	1	98	6	0	105	9	5	13	0	27	292
11:15 AM	22	94	21	0	137	18	17	12	0	47	3	100	7	0	110	12	1	18	0	31	325
11:30 AM	23	96	18	0	137	19	13	14	0	46	12	88	6	0	106	12	13	13	0	38	327
11:45 AM	23	94	14	0	131	29	10	16	0	55	6	117	11	0	134	8	7	26	0	41	361
Total	86	366	75	0	527	84	46	56	0	186	22	403	30	0	455	41	26	70	0	137	1305
12:00 PM	31	112	31	0	174	15	11	13	0	39	3	84	14	0	101	15	13	30	0	58	372
12:15 PM	19	99	15	0	133	24	5	17	0	46	3	108	7	0	118	7	14	23	0	44	341
12:30 PM	29	90	17	0	136	18	11	12	0	41	4	117	17	0	138	18	7	12	0	37	352
12:45 PM	18	97	26	0	141	28	9	11	1	49	4	80	9	0	93	16	15	27	0	58	341
Total	97	398	89	0	584	85	36	53	1	175	14	389	47	0	450	56	49	92	0	197	1406
01:00 PM	28	115	24	1	168	19	15	7	1	42	4	111	6	0	121	9	13	13	0	35	366
01:15 PM	18	96	28	0	142	27	6	13	0	46	6	92	10	0	108	11	7	24	0	42	338
01:30 PM	21	97	12	0	130	22	7	13	1	43	5	117	7	0	129	13	5	26	0	44	346
01:45 PM	21	96	19	0	136	24	8	6	0	38	7	112	10	0	129	9	7	15	0	31	334
Total	88	404	83	1	576	92	36	39	2	169	22	432	33	0	487	42	32	78	0	152	1384
02:00 PM	16	108	22	0	146	14	15	14	0	43	1	100	11	0	112	13	5	28	0	46	347
02:15 PM	23	114	23	0	160	22	6	19	0	47	3	107	11	0	121	15	8	23	0	46	374
02:30 PM	22	118	21	0	161	28	8	24	0	60	5	125	9	0	139	13	12	18	0	43	403
02:45 PM	17	131	28	0	176	25	8	25	0	58	3	106	8	0	117	10	10	22	0	42	393
Total	78	471	94	0	643	89	37	82	0	208	12	438	39	0	489	51	35	91	0	177	1517
03:00 PM	27	122	26	0	175	34	15	25	0	74	4	129	11	0	144	12	12	19	0	43	436
03:15 PM	17	165	19	0	201	21	11	15	0	47	2	121	8	0	131	14	13	18	0	45	424
03:30 PM	27	133	36	0	196	29	8	26	0	63	6	125	13	1	145	16	4	30	0	50	454

TH 3 at Honey Locust Dr
 Carto Measure:11.015
 Data By: Short Elliott Hendrickson, Inc.
 TURN MOVEMENT COUNT

File Name : TH 3 & Honey Locust Dr 2019
 Site Code : 1d
 Start Date : 10/9/2019
 Page No : 2

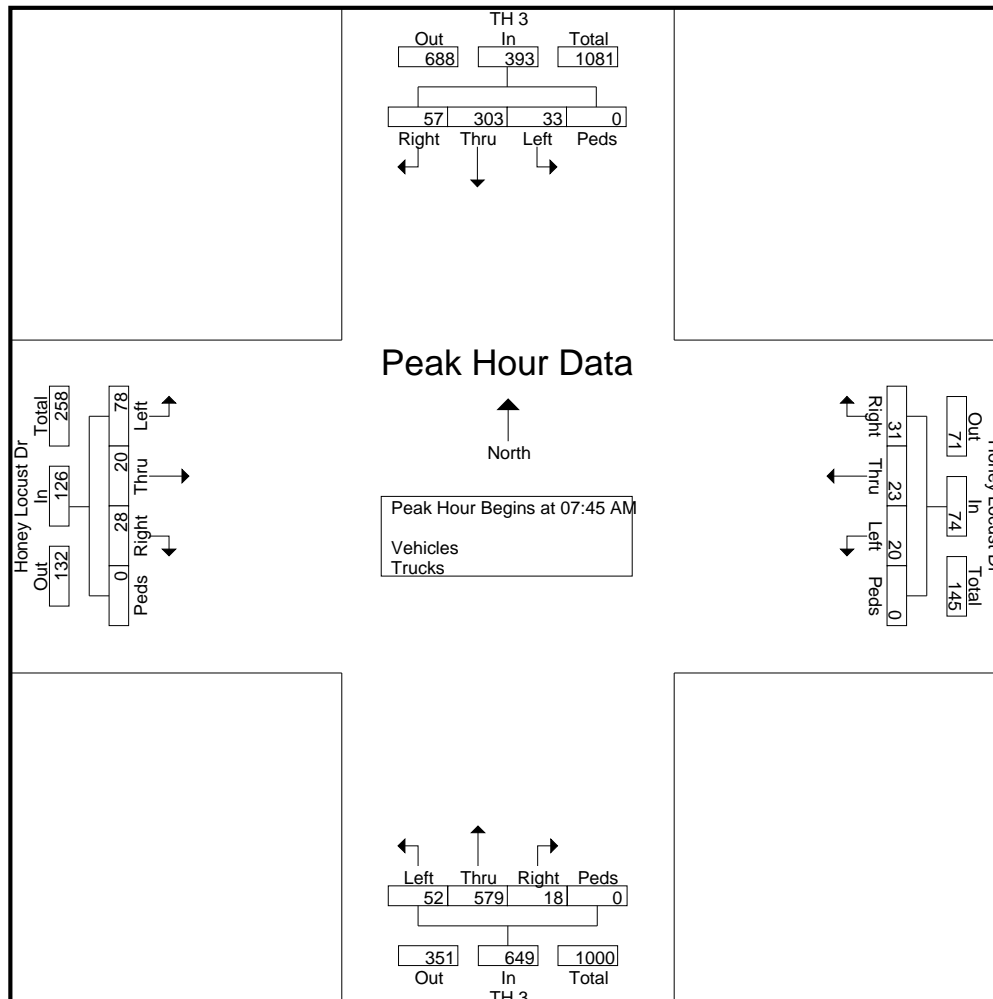
Groups Printed- Vehicles - Trucks

Start Time	TH 3 Southbound					Honey Locust Dr Westbound					TH 3 Northbound					Honey Locust Dr Eastbound					Int. Total
	Right	Thru	Left	Peds	App. Total	Right	Thru	Left	Peds	App. Total	Right	Thru	Left	Peds	App. Total	Right	Thru	Left	Peds	App. Total	
03:45 PM	22	144	26	0	192	26	15	22	0	63	4	124	8	0	136	17	8	18	0	43	434
Total	93	564	107	0	764	110	49	88	0	247	16	499	40	1	556	59	37	85	0	181	1748
04:00 PM	19	171	31	0	221	26	16	20	0	62	4	142	6	1	153	10	15	18	0	43	479
04:15 PM	12	143	19	0	174	37	16	23	0	76	2	128	11	0	141	14	4	31	0	49	440
04:30 PM	22	156	27	0	205	22	15	20	0	57	5	121	7	0	133	13	9	19	0	41	436
04:45 PM	24	160	33	0	217	27	14	24	0	65	4	159	10	0	173	12	14	19	0	45	500
Total	77	630	110	0	817	112	61	87	0	260	15	550	34	1	600	49	42	87	0	178	1855
05:00 PM	33	159	43	1	236	33	15	32	0	80	7	156	10	0	173	17	13	22	0	52	541
05:15 PM	26	173	37	0	236	27	11	26	0	64	2	123	8	0	133	21	11	21	0	53	486
05:30 PM	20	138	34	0	192	28	11	23	0	62	5	115	11	0	131	14	10	12	0	36	421
05:45 PM	21	121	22	0	164	20	12	21	0	53	2	126	7	0	135	7	13	18	0	38	390
Total	100	591	136	1	828	108	49	102	0	259	16	520	36	0	572	59	47	73	0	179	1838
06:00 PM	24	123	31	0	178	28	11	16	0	55	0	111	13	0	124	15	7	18	0	40	397
06:15 PM	16	108	28	0	152	14	11	10	0	35	3	104	11	2	120	11	7	22	0	40	347
06:30 PM	20	104	33	0	157	21	6	14	0	41	4	109	15	0	128	6	11	15	0	32	358
06:45 PM	4	96	18	0	118	31	12	16	0	59	3	110	5	0	118	10	7	18	0	35	330
Total	64	431	110	0	605	94	40	56	0	190	10	434	44	2	490	42	32	73	0	147	1432
Grand Total	929	5379	1010	2	7320	971	474	704	5	2154	177	5869	501	4	6551	576	374	943	0	1893	17918
Apprch %	12.7	73.5	13.8	0		45.1	22	32.7	0.2		2.7	89.6	7.6	0.1		30.4	19.8	49.8	0		
Total %	5.2	30	5.6	0	40.9	5.4	2.6	3.9	0	12	1	32.8	2.8	0	36.6	3.2	2.1	5.3	0	10.6	
Vehicles	911	4913	1006									5416									16884
% Vehicles	98.1	91.3	99.6	100	93.3	99.4	98.9	98.9	80	99.1	97.7	92.3	97.2	100	92.8	96.7	95.5	98	0	97.1	94.2
Trucks	18	466	4	0	488	6	5	8	1	20	4	453	14	0	471	19	17	19	0	55	1034
% Trucks	1.9	8.7	0.4	0	6.7	0.6	1.1	1.1	20	0.9	2.3	7.7	2.8	0	7.2	3.3	4.5	2	0	2.9	5.8

TH 3 at Honey Locust Dr
 Carto Measure:11.015
 Data By: Short Elliott Hendrickson, Inc.
 TURN MOVEMENT COUNT

File Name : TH 3 & Honey Locust Dr 2019
 Site Code : 1d
 Start Date : 10/9/2019
 Page No : 3

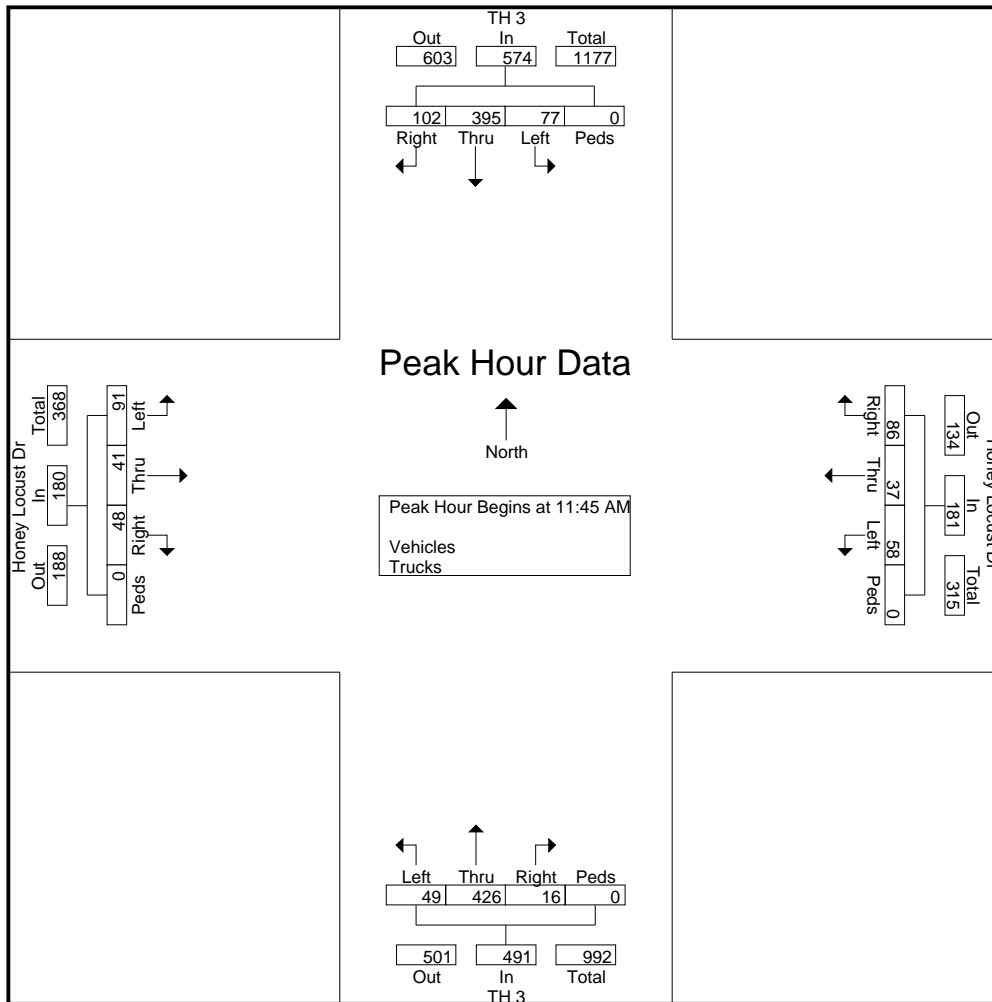
Start Time	TH 3 Southbound					Honey Locust Dr Westbound					TH 3 Northbound					Honey Locust Dr Eastbound					Int. Total
	Right	Thru	Left	Peds	App. Total	Right	Thru	Left	Peds	App. Total	Right	Thru	Left	Peds	App. Total	Right	Thru	Left	Peds	App. Total	
Peak Hour Analysis From 06:00 AM to 08:45 AM - Peak 1 of 1																					
Peak Hour for Entire Intersection Begins at 07:45 AM																					
07:45 AM	12	87	4	0	103	6	4	5	0	15	5	156	17	0	178	7	4	19	0	30	326
08:00 AM	12	71	13	0	96	11	7	7	0	25	2	128	12	0	142	5	6	12	0	23	286
08:15 AM	15	68	8	0	91	8	5	3	0	16	5	147	16	0	168	6	5	21	0	32	307
08:30 AM	18	77	8	0	103	6	7	5	0	18	6	148	7	0	161	10	5	26	0	41	323
Total Volume	57	303	33	0	393	31	23	20	0	74	18	579	52	0	649	28	20	78	0	126	1242
% App. Total	14.5	77.1	8.4	0		41.9	31.1	27	0		2.8	89.2	8	0		22.2	15.9	61.9	0		
PHF	.792	.871	.635	.000	.954	.705	.821	.714	.000	.740	.750	.928	.765	.000	.912	.700	.833	.750	.000	.768	.952



Start Time	TH 3 Southbound					Honey Locust Dr Westbound					TH 3 Northbound					Honey Locust Dr Eastbound					Int. Total
	Right	Thru	Left	Peds	App. Total	Right	Thru	Left	Peds	App. Total	Right	Thru	Left	Peds	App. Total	Right	Thru	Left	Peds	App. Total	

Peak Hour Analysis From 11:00 AM to 12:45 PM - Peak 1 of 1
 Peak Hour for Entire Intersection Begins at 11:45 AM

11:45 AM	23	94	14	0	131	29	10	16	0	55	6	117	11	0	134	8	7	26	0	41	361
12:00 PM	31	112	31	0	174	15	11	13	0	39	3	84	14	0	101	15	13	30	0	58	372
12:15 PM	19	99	15	0	133	24	5	17	0	46	3	108	7	0	118	7	14	23	0	44	341
12:30 PM	29	90	17	0	136	18	11	12	0	41	4	117	17	0	138	18	7	12	0	37	352
Total Volume	102	395	77	0	574	86	37	58	0	181	16	426	49	0	491	48	41	91	0	180	1426
% App. Total	17.8	68.8	13.4	0		47.5	20.4	32	0		3.3	86.8	10	0		26.7	22.8	50.6	0		
PHF	.823	.882	.621	.000	.825	.741	.841	.853	.000	.823	.667	.910	.721	.000	.889	.667	.732	.758	.000	.776	.958



TH 3 at Honey Locust Dr
 Carto Measure:11.015
 Data By: Short Elliott Hendrickson, Inc.
 TURN MOVEMENT COUNT

File Name : TH 3 & Honey Locust Dr 2019
 Site Code : 1d
 Start Date : 10/9/2019
 Page No : 5

Start Time	TH 3 Southbound					Honey Locust Dr Westbound					TH 3 Northbound					Honey Locust Dr Eastbound					Int. Total
	Right	Thru	Left	Peds	App. Total	Right	Thru	Left	Peds	App. Total	Right	Thru	Left	Peds	App. Total	Right	Thru	Left	Peds	App. Total	
Peak Hour Analysis From 03:00 PM to 05:45 PM - Peak 1 of 1																					
Peak Hour for Entire Intersection Begins at 04:30 PM																					
04:30 PM	22	156	27	0	205	22	15	20	0	57	5	121	7	0	133	13	9	19	0	41	436
04:45 PM	24	160	33	0	217	27	14	24	0	65	4	159	10	0	173	12	14	19	0	45	500
05:00 PM	33	159	43	1	236	33	15	32	0	80	7	156	10	0	173	17	13	22	0	52	541
05:15 PM	26	173	37	0	236	27	11	26	0	64	2	123	8	0	133	21	11	21	0	53	486
Total Volume	105	648	140	1	894	109	55	102	0	266	18	559	35	0	612	63	47	81	0	191	1963
% App. Total	11.7	72.5	15.7	0.1		41	20.7	38.3	0		2.9	91.3	5.7	0		33	24.6	42.4	0		
PHF	.795	.936	.814	.250	.947	.826	.917	.797	.000	.831	.643	.879	.875	.000	.884	.750	.839	.920	.000	.901	.907

