

TH 3 at Jefferson Pkwy  
 Carto Measure: 11.924  
 Data By: Short Elliott Hendrickson, Inc.  
 TURN MOVEMENT COUNT

File Name : TH 3 & Jefferson Pkwy 2019  
 Site Code : 1e  
 Start Date : 10/16/2019  
 Page No : 1

Groups Printed- Vehicles - Trucks

Start Time	TH 3 Southbound					Jefferson Pkwy Westbound					TH 3 Northbound					Jefferson Pkwy Eastbound					Int. Total
	Right	Thru	Left	Peds	App. Total	Right	Thru	Left	Peds	App. Total	Right	Thru	Left	Peds	App. Total	Right	Thru	Left	Peds	App. Total	
06:00 AM	0	47	6	0	53	30	3	11	0	44	11	76	2	0	89	1	1	0	0	2	188
06:15 AM	0	48	7	0	55	29	2	11	0	42	11	77	0	0	88	0	2	0	0	2	187
06:30 AM	2	64	16	0	82	37	5	7	0	49	16	100	6	0	122	1	0	1	0	2	255
06:45 AM	1	79	21	0	101	30	4	18	0	52	16	105	11	0	132	3	0	0	0	3	288
Total	3	238	50	0	291	126	14	47	0	187	54	358	19	0	431	5	3	1	0	9	918
07:00 AM	0	70	24	0	94	35	2	17	0	54	23	89	2	0	114	3	0	0	0	3	265
07:15 AM	3	110	51	0	164	43	2	24	0	69	31	110	5	0	146	6	1	1	0	8	387
07:30 AM	3	135	35	0	173	30	4	26	0	60	19	125	0	0	144	1	2	1	0	4	381
07:45 AM	3	107	37	1	148	31	4	19	0	54	28	136	6	0	170	2	1	1	0	4	376
Total	9	422	147	1	579	139	12	86	0	237	101	460	13	0	574	12	4	3	0	19	1409
08:00 AM	3	115	38	0	156	34	4	18	0	56	27	120	7	0	154	3	3	3	0	9	375
08:15 AM	4	97	39	0	140	39	0	26	0	65	48	93	3	0	144	3	4	5	0	12	361
08:30 AM	1	128	60	0	189	46	5	34	0	85	49	94	3	0	146	1	9	4	0	14	434
08:45 AM	3	97	54	1	155	40	4	36	0	80	41	117	6	0	164	4	3	8	0	15	414
Total	11	437	191	1	640	159	13	114	0	286	165	424	19	0	608	11	19	20	0	50	1584
09:00 AM	3	84	36	0	123	39	1	24	0	64	28	98	3	0	129	5	5	3	0	13	329
09:15 AM	6	118	30	0	154	47	8	29	0	84	27	117	1	0	145	4	3	3	0	10	393
09:30 AM	6	120	37	0	163	25	4	14	0	43	27	92	7	0	126	7	3	4	0	14	346
09:45 AM	1	110	39	0	150	36	3	21	0	60	27	92	2	0	121	4	4	6	0	14	345
Total	16	432	142	0	590	147	16	88	0	251	109	399	13	0	521	20	15	16	0	51	1413
10:00 AM	1	108	34	0	143	26	3	19	0	48	30	105	7	0	142	3	9	5	0	17	350
10:15 AM	7	114	37	0	158	27	6	25	0	58	16	119	5	0	140	6	1	3	0	10	366
10:30 AM	3	112	25	0	140	28	5	20	0	53	19	108	2	0	129	6	5	4	0	15	337
10:45 AM	8	126	24	1	159	31	7	32	0	70	11	119	4	0	134	6	3	1	0	10	373
Total	19	460	120	1	600	112	21	96	0	229	76	451	18	0	545	21	18	13	0	52	1426
11:00 AM	6	124	24	0	154	32	4	18	0	54	25	104	7	0	136	5	6	3	0	14	358
11:15 AM	2	117	23	0	142	22	8	24	0	54	27	124	10	0	161	11	6	1	0	18	375
11:30 AM	1	106	23	0	130	26	13	18	0	57	21	121	5	0	147	9	12	4	0	25	359
11:45 AM	10	144	27	0	181	37	19	19	0	75	18	129	9	0	156	5	10	3	0	18	430
Total	19	491	97	0	607	117	44	79	0	240	91	478	31	0	600	30	34	11	0	75	1522
12:00 PM	8	126	33	0	167	30	9	34	0	73	26	140	15	0	181	18	9	2	0	29	450
12:15 PM	3	136	31	0	170	33	8	21	0	62	33	148	10	0	191	9	7	5	0	21	444
12:30 PM	5	115	27	0	147	19	9	30	0	58	23	133	3	0	159	15	3	9	0	27	391
12:45 PM	4	122	35	0	161	27	6	21	0	54	23	127	10	1	161	13	6	6	0	25	401
Total	20	499	126	0	645	109	32	106	0	247	105	548	38	1	692	55	25	22	0	102	1686
01:00 PM	4	120	25	0	149	28	6	23	0	57	25	106	6	0	137	15	5	6	1	27	370
01:15 PM	2	115	23	0	140	28	3	15	0	46	23	119	8	0	150	17	5	6	0	28	364
01:30 PM	1	161	28	0	190	26	6	22	0	54	25	89	5	0	119	11	5	4	0	20	383
01:45 PM	3	160	29	0	192	29	6	17	0	52	30	149	10	1	190	14	2	2	0	18	452
Total	10	556	105	0	671	111	21	77	0	209	103	463	29	1	596	57	17	18	1	93	1569
02:00 PM	5	111	29	0	145	32	5	22	1	60	21	138	8	0	167	13	6	3	0	22	394
02:15 PM	3	155	40	0	198	28	7	29	0	64	27	120	9	1	157	4	5	3	1	13	432
02:30 PM	3	158	59	0	220	32	8	30	0	70	27	126	5	0	158	7	6	2	0	15	463
02:45 PM	0	191	54	0	245	63	4	35	1	103	35	149	10	0	194	9	7	5	0	21	563
Total	11	615	182	0	808	155	24	116	2	297	110	533	32	1	676	33	24	13	1	71	1852
03:00 PM	0	185	49	0	234	43	10	34	0	87	31	150	7	0	188	14	12	6	0	32	541
03:15 PM	3	178	58	0	239	53	6	42	0	101	33	144	5	0	182	23	6	7	0	36	558
03:30 PM	2	168	35	0	205	57	9	34	0	100	29	142	6	0	177	23	12	8	0	43	525

TH 3 at Jefferson Pkwy  
 Carto Measure: 11.924  
 Data By: Short Elliott Hendrickson, Inc.  
 TURN MOVEMENT COUNT

File Name : TH 3 & Jefferson Pkwy 2019  
 Site Code : 1e  
 Start Date : 10/16/2019  
 Page No : 2

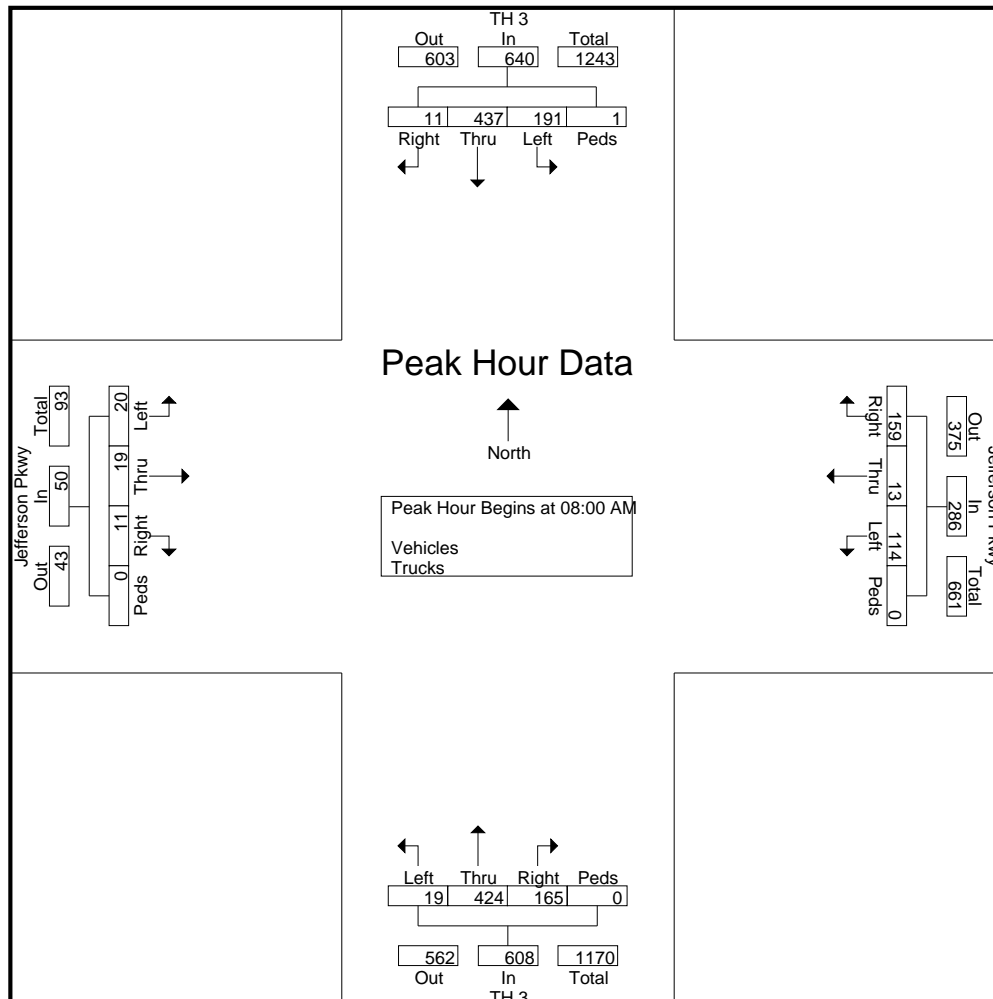
Groups Printed- Vehicles - Trucks

Start Time	TH 3 Southbound					Jefferson Pkwy Westbound					TH 3 Northbound					Jefferson Pkwy Eastbound					Int. Total
	Right	Thru	Left	Peds	App. Total	Right	Thru	Left	Peds	App. Total	Right	Thru	Left	Peds	App. Total	Right	Thru	Left	Peds	App. Total	
03:45 PM	2	176	42	0	220	25	7	32	0	64	33	180	15	2	230	15	9	5	1	30	544
Total	7	707	184	0	898	178	32	142	0	352	126	616	33	2	777	75	39	26	1	141	2168
04:00 PM	1	184	45	0	230	39	2	35	0	76	30	158	7	0	195	17	12	5	0	34	535
04:15 PM	4	203	53	0	260	33	6	31	0	70	17	161	9	0	187	8	10	9	0	27	544
04:30 PM	6	231	47	1	285	38	11	32	0	81	22	174	8	1	205	14	9	3	0	26	597
04:45 PM	8	178	58	0	244	39	10	29	1	79	37	162	15	0	214	12	5	6	0	23	560
Total	19	796	203	1	1019	149	29	127	1	306	106	655	39	1	801	51	36	23	0	110	2236
05:00 PM	3	240	52	0	295	45	13	23	0	81	24	153	9	0	186	21	16	9	0	46	608
05:15 PM	6	204	49	2	261	37	8	26	0	71	27	171	9	0	207	11	3	12	0	26	565
05:30 PM	10	181	50	1	242	46	9	24	0	79	22	135	9	0	166	16	14	13	0	43	530
05:45 PM	13	154	44	0	211	26	12	14	0	52	19	120	5	2	146	14	12	7	0	33	442
Total	32	779	195	3	1009	154	42	87	0	283	92	579	32	2	705	62	45	41	0	148	2145
06:00 PM	4	151	40	0	195	23	8	27	0	58	26	120	10	0	156	9	10	7	0	26	435
06:15 PM	12	145	49	0	206	19	7	12	0	38	33	108	8	0	149	16	11	9	0	36	429
06:30 PM	6	125	50	0	181	15	2	26	0	43	35	81	6	0	122	4	13	9	0	26	372
06:45 PM	6	130	57	0	193	24	11	20	0	55	25	118	5	0	148	11	17	8	0	36	432
Total	28	551	196	0	775	81	28	85	0	194	119	427	29	0	575	40	51	33	0	124	1668
Grand Total	204	6983	1938	7	9132	1737	328	1250	3	3318	1357	6391	345	8	8101	472	330	240	3	1045	21596
Apprch %	2.2	76.5	21.2	0.1		52.4	9.9	37.7	0.1		16.8	78.9	4.3	0.1		45.2	31.6	23	0.3		
Total %	0.9	32.3	9	0	42.3	8	1.5	5.8	0	15.4	6.3	29.6	1.6	0	37.5	2.2	1.5	1.1	0	4.8	
Vehicles	200	6516	1878			1681		1200			1320	5944									20430
% Vehicles	98	93.3	96.9	42.9	94.1	96.8	99.1	96	66.7	96.7	97.3	93	98.8	100	94	96.6	99.4	93.8	100	96.8	94.6
Trucks	4	467	60	4	535	56	3	50	1	110	37	447	4	0	488	16	2	15	0	33	1166
% Trucks	2	6.7	3.1	57.1	5.9	3.2	0.9	4	33.3	3.3	2.7	7	1.2	0	6	3.4	0.6	6.2	0	3.2	5.4

TH 3 at Jefferson Pkwy  
 Carto Measure: 11.924  
 Data By: Short Elliott Hendrickson, Inc.  
 TURN MOVEMENT COUNT

File Name : TH 3 & Jefferson Pkwy 2019  
 Site Code : 1e  
 Start Date : 10/16/2019  
 Page No : 3

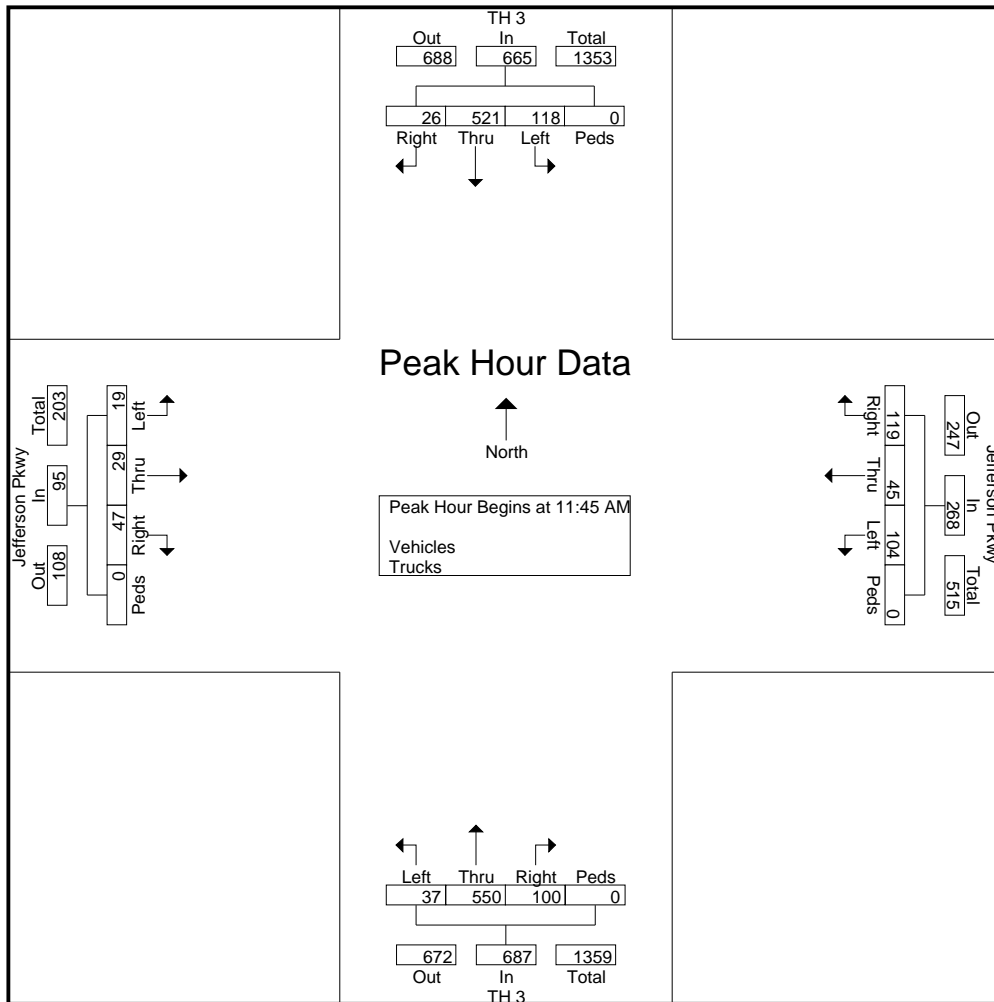
Start Time	TH 3 Southbound					Jefferson Pkwy Westbound					TH 3 Northbound					Jefferson Pkwy Eastbound					Int. Total
	Right	Thru	Left	Peds	App. Total	Right	Thru	Left	Peds	App. Total	Right	Thru	Left	Peds	App. Total	Right	Thru	Left	Peds	App. Total	
Peak Hour Analysis From 06:00 AM to 08:45 AM - Peak 1 of 1																					
Peak Hour for Entire Intersection Begins at 08:00 AM																					
08:00 AM	3	115	38	0	156	34	4	18	0	56	27	120	7	0	154	3	3	3	0	9	375
08:15 AM	4	97	39	0	140	39	0	26	0	65	48	93	3	0	144	3	4	5	0	12	361
08:30 AM	1	128	60	0	189	46	5	34	0	85	49	94	3	0	146	1	9	4	0	14	434
08:45 AM	3	97	54	1	155	40	4	36	0	80	41	117	6	0	164	4	3	8	0	15	414
Total Volume	11	437	191	1	640	159	13	114	0	286	165	424	19	0	608	11	19	20	0	50	1584
% App. Total	1.7	68.3	29.8	0.2		55.6	4.5	39.9	0		27.1	69.7	3.1	0		22	38	40	0		
PHF	.688	.854	.796	.250	.847	.864	.650	.792	.000	.841	.842	.883	.679	.000	.927	.688	.528	.625	.000	.833	.912



TH 3 at Jefferson Pkwy  
 Carto Measure: 11.924  
 Data By: Short Elliott Hendrickson, Inc.  
 TURN MOVEMENT COUNT

File Name : TH 3 & Jefferson Pkwy 2019  
 Site Code : 1e  
 Start Date : 10/16/2019  
 Page No : 4

Start Time	TH 3 Southbound					Jefferson Pkwy Westbound					TH 3 Northbound					Jefferson Pkwy Eastbound					Int. Total
	Right	Thru	Left	Peds	App. Total	Right	Thru	Left	Peds	App. Total	Right	Thru	Left	Peds	App. Total	Right	Thru	Left	Peds	App. Total	
Peak Hour Analysis From 11:00 AM to 12:45 PM - Peak 1 of 1																					
Peak Hour for Entire Intersection Begins at 11:45 AM																					
11:45 AM	10	144	27	0	181	37	19	19	0	75	18	129	9	0	156	5	10	3	0	18	430
12:00 PM	8	126	33	0	167	30	9	34	0	73	26	140	15	0	181	18	9	2	0	29	450
12:15 PM	3	136	31	0	170	33	8	21	0	62	33	148	10	0	191	9	7	5	0	21	444
12:30 PM	5	115	27	0	147	19	9	30	0	58	23	133	3	0	159	15	3	9	0	27	391
Total Volume	26	521	118	0	665	119	45	104	0	268	100	550	37	0	687	47	29	19	0	95	1715
% App. Total	3.9	78.3	17.7	0		44.4	16.8	38.8	0		14.6	80.1	5.4	0		49.5	30.5	20	0		
PHF	.650	.905	.894	.000	.919	.804	.592	.765	.000	.893	.758	.929	.617	.000	.899	.653	.725	.528	.000	.819	.953



TH 3 at Jefferson Pkwy  
 Carto Measure: 11.924  
 Data By: Short Elliott Hendrickson, Inc.  
 TURN MOVEMENT COUNT

File Name : TH 3 & Jefferson Pkwy 2019  
 Site Code : 1e  
 Start Date : 10/16/2019  
 Page No : 5

Start Time	TH 3 Southbound					Jefferson Pkwy Westbound					TH 3 Northbound					Jefferson Pkwy Eastbound					Int. Total
	Right	Thru	Left	Peds	App. Total	Right	Thru	Left	Peds	App. Total	Right	Thru	Left	Peds	App. Total	Right	Thru	Left	Peds	App. Total	
Peak Hour Analysis From 03:00 PM to 05:45 PM - Peak 1 of 1																					
Peak Hour for Entire Intersection Begins at 04:30 PM																					
04:30 PM	6	231	47	1	285	38	11	32	0	81	22	174	8	1	205	14	9	3	0	26	597
04:45 PM	8	178	58	0	244	39	10	29	1	79	37	162	15	0	214	12	5	6	0	23	560
05:00 PM	3	240	52	0	295	45	13	23	0	81	24	153	9	0	186	21	16	9	0	46	608
05:15 PM	6	204	49	2	261	37	8	26	0	71	27	171	9	0	207	11	3	12	0	26	565
Total Volume	23	853	206	3	1085	159	42	110	1	312	110	660	41	1	812	58	33	30	0	121	2330
% App. Total	2.1	78.6	19	0.3		51	13.5	35.3	0.3		13.5	81.3	5	0.1		47.9	27.3	24.8	0		
PHF	.719	.889	.888	.375	.919	.883	.808	.859	.250	.963	.743	.948	.683	.250	.949	.690	.516	.625	.000	.658	.958

