



701 Xenia Ave S, Suite 300
 Minneapolis, MN 55416

TH 120 & MN 36

6am to 7pm

vehicles, heavy trucks, peds, bikes

13 hr

File Name : TH 36 & TH 120

Site Code : 1

Start Date : 4/27/2023

Page No : 1

Groups Printed- vehicles & peds - heavy trucks & bikes

Start Time	TH 120 From North					MN 36 From East					TH 120 From South					MN 36 From West					Int. Total
	Right	Thru	Left	bikes	App. Total	Right	Thru	Left	bikes	App. Total	Right	Thru	Left	bikes	App. Total	Right	Thru	Left	bikes	App. Total	
06:00 AM	15	19	3	0	37	4	225	6	0	235	8	21	43	0	72	23	48	7	0	78	422
06:15 AM	19	11	15	0	45	8	295	6	0	309	11	26	35	0	72	12	104	13	0	129	555
06:30 AM	21	22	21	0	64	13	310	6	0	329	19	35	47	0	101	19	161	16	0	196	690
06:45 AM	26	29	18	0	73	10	350	10	0	370	18	34	49	0	101	24	169	25	0	218	762
Total	81	81	57	0	219	35	1180	28	0	1243	56	116	174	0	346	78	482	61	0	621	2429
07:00 AM	28	20	23	0	71	14	361	12	0	387	14	20	42	0	76	37	185	14	0	236	770
07:15 AM	37	41	15	0	93	17	385	31	0	433	23	51	51	0	125	42	213	28	0	283	934
07:30 AM	32	49	22	0	103	28	402	38	0	468	29	53	65	0	147	36	243	25	0	304	1022
07:45 AM	44	35	23	0	102	33	483	18	0	534	33	49	34	0	116	43	308	54	0	405	1157
Total	141	145	83	0	369	92	1631	99	0	1822	99	173	192	0	464	158	949	121	0	1228	3883
08:00 AM	49	37	25	0	111	16	320	14	0	350	21	57	48	2	128	43	198	41	0	282	871
08:15 AM	42	38	23	0	103	17	347	11	0	375	18	42	42	2	104	36	236	31	0	303	885
08:30 AM	34	55	17	0	106	26	276	19	0	321	23	39	46	0	108	33	248	41	0	322	857
08:45 AM	27	27	29	0	83	41	324	12	0	377	16	47	37	0	100	36	220	51	0	307	867
Total	152	157	94	0	403	100	1267	56	0	1423	78	185	173	4	440	148	902	164	0	1214	3480
09:00 AM	38	53	42	0	133	30	250	15	0	295	14	54	31	0	99	30	167	45	0	242	769
09:15 AM	40	52	28	0	120	25	215	18	0	258	14	48	48	0	110	22	161	34	0	217	705
09:30 AM	25	47	24	0	96	14	227	8	0	249	12	48	51	0	111	39	209	30	0	278	734
09:45 AM	48	34	14	0	96	11	237	13	0	261	13	41	37	0	91	34	169	38	0	241	689
Total	151	186	108	0	445	80	929	54	0	1063	53	191	167	0	411	125	706	147	0	978	2897
10:00 AM	40	38	19	0	97	14	208	15	0	237	23	39	25	0	87	29	207	40	0	276	697
10:15 AM	36	35	19	0	90	6	212	14	0	232	20	34	32	0	86	26	188	39	1	254	662
10:30 AM	26	38	15	0	79	8	211	11	0	230	15	36	34	0	85	34	191	55	0	280	674
10:45 AM	40	40	17	0	97	18	229	14	0	261	18	41	40	0	99	36	197	40	2	275	732
Total	142	151	70	0	363	46	860	54	0	960	76	150	131	0	357	125	783	174	3	1085	2765
11:00 AM	24	40	16	0	80	24	229	18	0	271	15	41	35	0	91	37	197	31	1	266	708
11:15 AM	35	42	11	0	88	11	216	7	0	234	18	47	38	0	103	32	191	27	0	250	675
11:30 AM	30	40	18	0	88	18	193	20	0	231	25	47	28	0	100	40	181	38	1	260	679
11:45 AM	37	51	13	0	101	21	233	18	0	272	16	42	53	0	111	59	228	52	0	339	823
Total	126	173	58	0	357	74	871	63	0	1008	74	177	154	0	405	168	797	148	2	1115	2885
12:00 PM	51	58	18	0	127	20	221	13	0	254	25	49	44	0	118	47	214	39	0	300	799
12:15 PM	37	46	22	0	105	26	230	18	0	274	22	61	39	1	123	49	240	41	1	331	833
12:30 PM	39	61	20	0	120	16	208	14	0	238	17	54	43	0	114	48	247	34	0	329	801
12:45 PM	31	42	14	0	87	12	228	15	0	255	22	48	38	0	108	44	223	38	0	305	755
Total	158	207	74	0	439	74	887	60	0	1021	86	212	164	1	463	188	924	152	1	1265	3188
01:00 PM	28	55	16	0	99	18	176	15	0	209	14	54	35	0	103	45	231	36	0	312	723
01:15 PM	34	35	16	0	85	28	243	13	0	284	14	42	45	0	101	56	305	31	0	392	862
01:30 PM	37	53	24	0	114	12	254	14	0	280	27	53	43	0	123	55	309	52	0	416	933
01:45 PM	37	53	12	1	103	25	193	26	0	244	23	66	35	0	124	61	302	50	1	414	885
Total	136	196	68	1	401	83	866	68	0	1017	78	215	158	0	451	217	1147	169	1	1534	3403
02:00 PM	33	45	28	1	107	18	224	25	0	267	29	55	39	0	123	55	340	41	1	437	934
02:15 PM	54	72	26	0	152	22	223	24	0	269	24	62	40	0	126	62	314	38	0	414	961
02:30 PM	48	55	12	0	115	17	254	23	0	294	42	60	44	0	146	58	308	62	0	428	983
02:45 PM	31	40	7	0	78	28	363	24	0	415	36	45	42	1	124	62	365	43	0	470	1087
Total	166	212	73	1	452	85	1064	96	0	1245	131	222	165	1	519	237	1327	184	1	1749	3965
03:00 PM	33	60	22	0	115	23	283	29	0	335	44	68	49	0	161	77	315	31	1	424	1035
03:15 PM	36	41	24	0	101	29	320	26	0	375	18	48	30	0	96	70	410	42	0	522	1094
03:30 PM	30	52	23	0	105	42	284	35	0	361	36	56	35	0	127	78	370	41	0	489	1082
03:45 PM	39	44	23	0	106	30	328	27	0	385	23	47	32	0	102	69	459	43	0	571	1164
Total	138	197	92	0	427	124	1215	117	0	1456	121	219	146	0	486	294	1554	157	1	2006	4375



701 Xenia Ave S, Suite 300
 Minneapolis, MN 55416

TH 120 & MN 36

6am to 7pm

vehicles, heavy trucks, peds, bikes

13 hr

File Name : TH 36 & TH 120

Site Code : 1

Start Date : 4/27/2023

Page No : 2

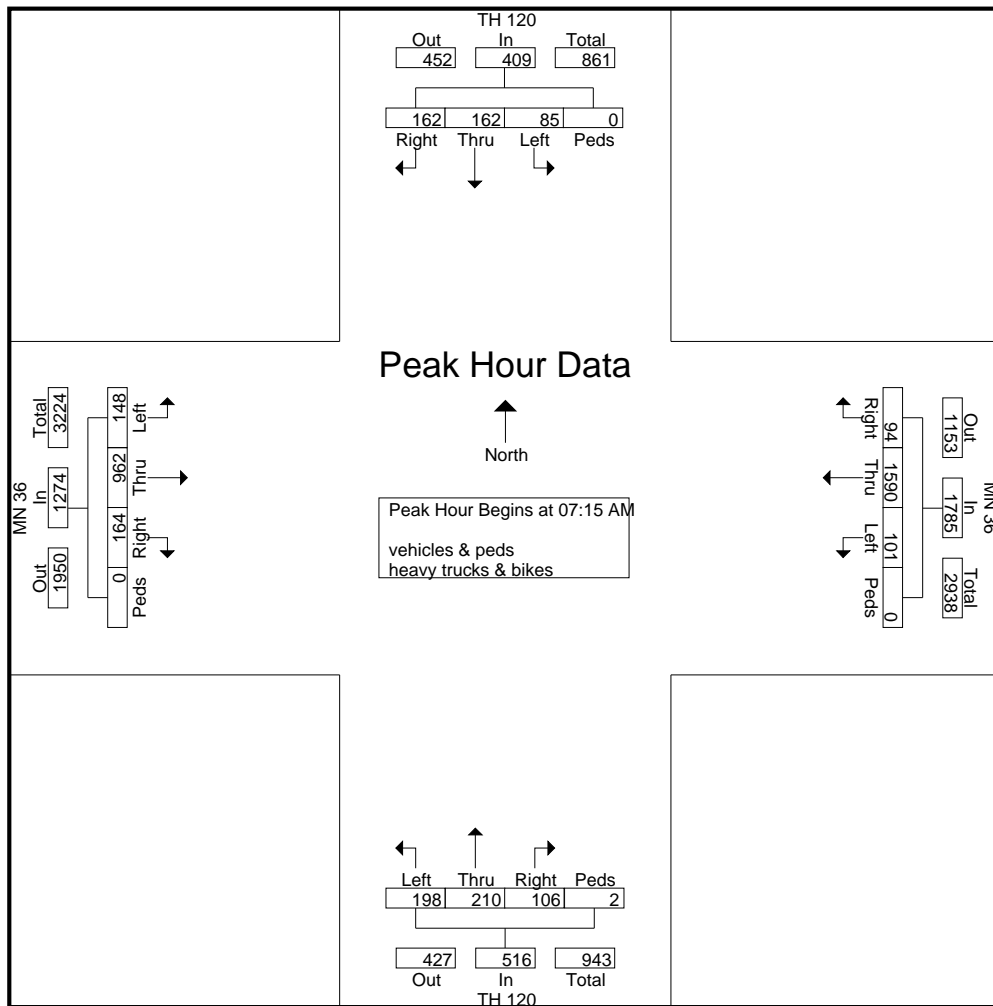
Groups Printed- vehicles & peds - heavy trucks & bikes

Start Time	TH 120 From North					MN 36 From East					TH 120 From South					MN 36 From West					Int. Total
	Right	Thru	Left	bikes	App. Total	Right	Thru	Left	bikes	App. Total	Right	Thru	Left	bikes	App. Total	Right	Thru	Left	bikes	App. Total	
04:00 PM	41	56	45	0	142	22	312	20	0	354	35	56	65	0	156	71	382	63	0	516	1168
04:15 PM	36	54	24	0	114	27	323	18	0	368	37	62	45	0	144	72	411	46	0	529	1155
04:30 PM	46	42	21	0	109	21	329	20	0	370	32	49	42	0	123	63	416	56	0	535	1137
04:45 PM	51	58	35	0	144	24	306	23	0	353	22	66	45	0	133	84	413	56	0	553	1183
Total	174	210	125	0	509	94	1270	81	0	1445	126	233	197	0	556	290	1622	221	0	2133	4643
05:00 PM	36	40	25	0	101	22	300	24	0	346	16	40	29	0	85	60	438	54	3	555	1087
05:15 PM	37	48	30	0	115	24	308	22	0	354	24	69	43	0	136	66	410	59	0	535	1140
05:30 PM	37	46	25	0	108	23	301	9	0	333	22	45	42	0	109	61	358	40	0	459	1009
05:45 PM	28	42	14	0	84	16	268	21	0	305	20	44	39	0	103	65	326	50	3	444	936
Total	138	176	94	0	408	85	1177	76	0	1338	82	198	153	0	433	252	1532	203	6	1993	4172
06:00 PM	32	49	24	0	105	20	188	21	0	229	27	47	41	0	115	59	309	40	1	409	858
06:15 PM	24	47	15	0	86	18	204	18	0	240	23	39	28	0	90	62	274	40	1	377	793
06:30 PM	35	39	10	0	84	20	187	14	0	221	20	37	28	0	85	54	261	44	0	359	749
06:45 PM	24	35	13	0	72	18	158	26	0	202	18	39	43	0	100	32	228	33	0	293	667
Total	115	170	62	0	347	76	737	79	0	892	88	162	140	0	390	207	1072	157	2	1438	3067
Grand Total	1818	2261	1058	2	5139	1048	13954	931	0	15933	1148	2453	2114	6	5721	2487	13797	2058	17	18359	45152
Apprch %	35.4	44	20.6	0		6.6	87.6	5.8	0		20.1	42.9	37	0.1		13.5	75.2	11.2	0.1		
Total %	4	5	2.3	0	11.4	2.3	30.9	2.1	0	35.3	2.5	5.4	4.7	0	12.7	5.5	30.6	4.6	0	40.7	
vehicles & peds	1806	2253	1053	2	5114	1040	13760	928	0	15728	1138	2452	2106	6	5702	2476	13639	2046	13	18174	44718
% vehicles & peds	99.3	99.6	99.5	100	99.5	99.2	98.6	99.7	0	98.7	99.1	100	99.6	100	99.7	99.6	98.9	99.4	76.5	99	99
heavy trucks & bikes	12	8	5	0	25	8	194	3	0	205	10	1	8	0	19	11	158	12	4	185	434
% heavy trucks & bikes	0.7	0.4	0.5	0	0.5	0.8	1.4	0.3	0	1.3	0.9	0	0.4	0	0.3	0.4	1.1	0.6	23.5	1	1

TH 120 & MN 36
6am to 7pm
vehicles, heavy trucks, peds, bikes
13 hr

File Name : TH 36 & TH 120
Site Code : 1
Start Date : 4/27/2023
Page No : 3

Start Time	TH 120 From North					MN 36 From East					TH 120 From South					MN 36 From West					Int. Total
	Rig ht	Thr u	Left	bike s	App. Total	Rig ht	Thr u	Left	bike s	App. Total	Rig ht	Thr u	Left	bike s	App. Total	Rig ht	Thr u	Left	bike s	App. Total	
Peak Hour Analysis From 06:00 AM to 11:45 AM - Peak 1 of 1																					
Peak Hour for Entire Intersection Begins at 07:15 AM																					
07:15 AM	37	41	15	0	93	17	385	31	0	433	23	51	51	0	125	42	213	28	0	283	934
07:30 AM	32	49	22	0	103	28	402	38	0	468	29	53	65	0	147	36	243	25	0	304	1022
07:45 AM	44	35	23	0	102	33	483	18	0	534	33	49	34	0	116	43	308	54	0	405	1157
08:00 AM	49	37	25	0	111	16	320	14	0	350	21	57	48	2	128	43	198	41	0	282	871
Total Volume	162	162	85	0	409	94	1590	101	0	1785	106	210	198	2	516	164	962	148	0	1274	3984
% App. Total	39.6	39.6	20.8	0		5.3	89.1	5.7	0		20.5	40.7	38.4	0.4		12.9	75.5	11.6	0		
PHF	.827	.827	.850	.000	.921	.712	.823	.664	.000	.836	.803	.921	.762	.250	.878	.953	.781	.685	.000	.786	.861





701 Xenia Ave S, Suite 300
 Minneapolis, MN 55416

TH 120 & MN 36

6am to 7pm

vehicles, heavy trucks, peds, bikes

13 hr

File Name : TH 36 & TH 120

Site Code : 1

Start Date : 4/27/2023

Page No : 4

Start Time	TH 120 From North					MN 36 From East					TH 120 From South					MN 36 From West					Int. Total
	Rig ht	Thr u	Left	bike s	App. Total	Rig ht	Thr u	Left	bike s	App. Total	Right	Thr u	Left	bikes	App. Total	Right	Thr u	Left	bikes	App. Total	
Peak Hour Analysis From 12:00 PM to 06:45 PM - Peak 1 of 1																					
Peak Hour for Entire Intersection Begins at 04:00 PM																					
04:00 PM	41	56	45	0	142	22	312	20	0	354	35	56	65	0	156	71	382	63	0	516	1168
04:15 PM	36	54	24	0	114	27	323	18	0	368	37	62	45	0	144	72	411	46	0	529	1155
04:30 PM	46	42	21	0	109	21	329	20	0	370	32	49	42	0	123	63	416	56	0	535	1137
04:45 PM	51	58	35	0	144	24	306	23	0	353	22	66	45	0	133	84	413	56	0	553	1183
Total Volume	174	210	125	0	509	94	1270	81	0	1445	126	233	197	0	556	290	1622	221	0	2133	4643
% App. Total	34.2	41.3	24.6	0		6.5	87.9	5.6	0		22.7	41.9	35.4	0		13.6	76	10.4	0		
PHF	.853	.905	.694	.000	.884	.870	.965	.880	.000	.976	.851	.883	.758	.000	.891	.863	.975	.877	.000	.964	.981

