

Alliant Engineering, Inc

733 Marquette Ave, Ste 700

Minneapolis, MN 55402

--TRAFFIC DATA--

CSAH 5 & Croixwood Blvd
 No Ref Point
 Data by: Alliant Engineering, Inc.
 TURN MOVEMENT COUNT

File Name : 706_CSAH 5 & Croixwood Blvd
 Site Code : 706
 Start Date : 5/16/2018
 Page No : 1

Groups Printed- Cars - Trucks

Start Time	CSAH 5 Southbound					Westbound					CSAH 5 Northbound					Croixwood Blvd Eastbound					Int. Total
	Peds	Right	Thru	Left	App. Total	Peds	Right	Thru	Left	App. Total	Peds	Right	Thru	Left	App. Total	Peds	Right	Thru	Left	App. Total	
06:00 AM	0	0	76	0	76	0	0	0	0	0	0	0	24	0	24	0	15	0	0	15	115
06:15 AM	1	0	86	0	87	0	0	0	0	0	0	0	22	6	28	1	11	0	0	12	127
06:30 AM	0	1	88	0	89	0	0	0	0	0	0	0	32	4	36	0	16	0	3	19	144
06:45 AM	0	2	134	0	136	0	0	0	0	0	0	0	37	6	43	2	24	0	4	30	209
Total	1	3	384	0	388	0	0	0	0	0	0	0	115	16	131	3	66	0	7	76	595
07:00 AM	0	1	197	0	198	0	0	0	0	0	0	0	38	7	45	0	36	0	1	37	280
07:15 AM	1	2	214	0	217	0	0	0	0	0	0	0	68	21	89	0	44	0	7	51	357
07:30 AM	0	4	137	0	141	0	0	0	0	0	0	0	99	18	117	0	30	0	5	35	293
07:45 AM	0	4	143	0	147	0	0	0	0	0	0	0	87	10	97	0	37	0	4	41	285
Total	1	11	691	0	703	0	0	0	0	0	0	0	292	56	348	0	147	0	17	164	1215
08:00 AM	1	2	131	1	135	0	0	0	0	0	2	0	89	12	103	0	30	0	5	35	273
08:15 AM	0	8	122	0	130	0	0	0	0	0	0	0	92	16	108	8	34	0	16	58	296
08:30 AM	0	6	150	0	156	0	0	0	0	0	0	0	90	15	105	0	28	0	7	35	296
08:45 AM	0	3	132	0	135	0	0	0	0	0	1	0	95	10	106	1	34	0	7	42	283
Total	1	19	535	1	556	0	0	0	0	0	3	0	366	53	422	9	126	0	35	170	1148
09:00 AM	0	1	127	0	128	0	0	0	0	0	0	0	84	26	110	0	30	0	8	38	276
09:15 AM	0	1	87	0	88	0	0	0	0	0	0	0	74	17	91	0	25	0	4	29	208
*** BREAK ***																					
Total	0	2	214	0	216	0	0	0	0	0	0	0	158	43	201	0	55	0	12	67	484
*** BREAK ***																					
10:30 AM	1	2	83	0	86	0	0	0	0	0	1	0	105	29	135	0	16	0	1	17	238
10:45 AM	1	1	97	0	99	0	0	0	0	0	1	0	109	25	135	0	21	0	2	23	257
Total	2	3	180	0	185	0	0	0	0	0	2	0	214	54	270	0	37	0	3	40	495
11:00 AM	2	3	107	0	112	0	0	0	0	0	2	0	112	20	134	0	15	0	4	19	265
11:15 AM	0	6	101	0	107	0	0	0	0	0	1	0	110	17	128	0	18	0	2	20	255
11:30 AM	0	4	92	0	96	0	0	0	0	0	2	0	117	18	137	0	21	0	1	22	255
11:45 AM	0	5	98	0	103	0	0	0	0	0	0	0	123	27	150	0	24	0	6	30	283
Total	2	18	398	0	418	0	0	0	0	0	5	0	462	82	549	0	78	0	13	91	1058
12:00 PM	0	4	97	0	101	0	0	0	0	0	1	0	124	30	155	0	22	0	1	23	279
12:15 PM	0	2	110	0	112	0	0	0	0	0	2	0	126	29	157	0	15	0	3	18	287
12:30 PM	0	0	94	0	94	0	0	0	0	0	0	0	150	26	176	0	14	0	2	16	286
12:45 PM	0	1	88	0	89	0	0	0	0	0	1	0	145	31	177	2	19	0	2	23	289
Total	0	7	389	0	396	0	0	0	0	0	4	0	545	116	665	2	70	0	8	80	1141
01:00 PM	0	1	95	0	96	0	0	0	0	0	0	0	120	31	151	0	25	0	0	25	272
01:15 PM	1	1	100	0	102	0	0	0	0	0	1	0	152	34	187	1	18	0	7	26	315
*** BREAK ***																					
Total	1	2	195	0	198	0	0	0	0	0	1	0	272	65	338	1	43	0	7	51	587
*** BREAK ***																					
02:30 PM	0	6	119	0	125	0	0	0	0	0	0	0	177	27	204	1	15	0	3	19	348
02:45 PM	0	2	112	0	114	0	0	0	0	0	2	0	163	31	196	1	18	0	9	28	338
Total	0	8	231	0	239	0	0	0	0	0	2	0	340	58	400	2	33	0	12	47	686
03:00 PM	0	4	127	0	131	0	0	0	0	0	1	0	161	37	199	0	24	0	5	29	359
03:15 PM	0	10	106	0	116	0	0	0	0	0	1	0	156	37	194	12	23	0	5	40	350

Alliant Engineering, Inc

733 Marquette Ave, Ste 700

Minneapolis, MN 55402

--TRAFFIC DATA--

File Name : 706_CSAH 5 & Croixwood Blvd

Site Code : 706

Start Date : 5/16/2018

Page No : 2

Groups Printed- Cars - Trucks

Start Time	CSAH 5 Southbound					Westbound					CSAH 5 Northbound					Croixwood Blvd Eastbound					Int. Total
	Peds	Right	Thru	Left	App. Total	Peds	Right	Thru	Left	App. Total	Peds	Right	Thru	Left	App. Total	Peds	Right	Thru	Left	App. Total	
03:30 PM	1	4	122	0	127	0	0	0	0	0	1	0	142	30	173	0	32	0	3	35	335
03:45 PM	0	6	131	0	137	0	0	0	0	0	0	0	164	40	204	0	30	0	6	36	377
Total	1	24	486	0	511	0	0	0	0	0	3	0	623	144	770	12	109	0	19	140	1421
04:00 PM	0	4	126	0	130	0	0	0	0	0	0	0	206	54	260	1	21	0	6	28	418
04:15 PM	5	5	140	0	150	0	0	0	0	0	3	0	196	49	248	2	19	0	3	24	422
04:30 PM	1	6	158	0	165	0	0	0	0	0	2	1	192	55	250	0	21	0	2	23	438
04:45 PM	0	4	121	0	125	0	0	0	0	0	0	0	201	50	251	0	25	0	5	30	406
Total	6	19	545	0	570	0	0	0	0	0	5	1	795	208	1009	3	86	0	16	105	1684
05:00 PM	0	9	155	0	164	0	0	0	0	0	0	0	232	71	303	0	27	0	4	31	498
05:15 PM	0	5	136	0	141	0	0	0	0	0	0	0	191	49	240	3	27	0	2	32	413
05:30 PM	1	7	135	0	143	0	0	0	0	0	2	0	212	46	260	0	30	0	7	37	440
05:45 PM	0	6	123	0	129	0	0	0	0	0	0	0	204	57	261	0	26	0	12	38	428
Total	1	27	549	0	577	0	0	0	0	0	2	0	839	223	1064	3	110	0	25	138	1779
*** BREAK ***																					
Grand Total	16	143	4797	1	4957	0	0	0	0	0	27	1	5021	1118	6167	35	960	0	174	1169	12293
Apprch %	0.3	2.9	96.8	0		0	0	0	0	0	0.4	0	81.4	18.1		3	82.1	0	14.9		
Total %	0.1	1.2	39	0	40.3	0	0	0	0	0	0.2	0	40.8	9.1	50.2	0.3	7.8	0	1.4	9.5	
Cars	16	120	4669	0	4805	0	0	0	0	0	27	0	4860	1089	5976	35	924	0	152	1111	11892
% Cars	100	83.9	97.3	0	96.9	0	0	0	0	0	100	0	96.8	97.4	96.9	100	96.2	0	87.4	95	96.7
Trucks	0	23	128	1	152	0	0	0	0	0	0	1	161	29	191	0	36	0	22	58	401
% Trucks	0	16.1	2.7	100	3.1	0	0	0	0	0	0	100	3.2	2.6	3.1	0	3.8	0	12.6	5	3.3

Alliant Engineering, Inc

733 Marquette Ave, Ste 700

Minneapolis, MN 55402

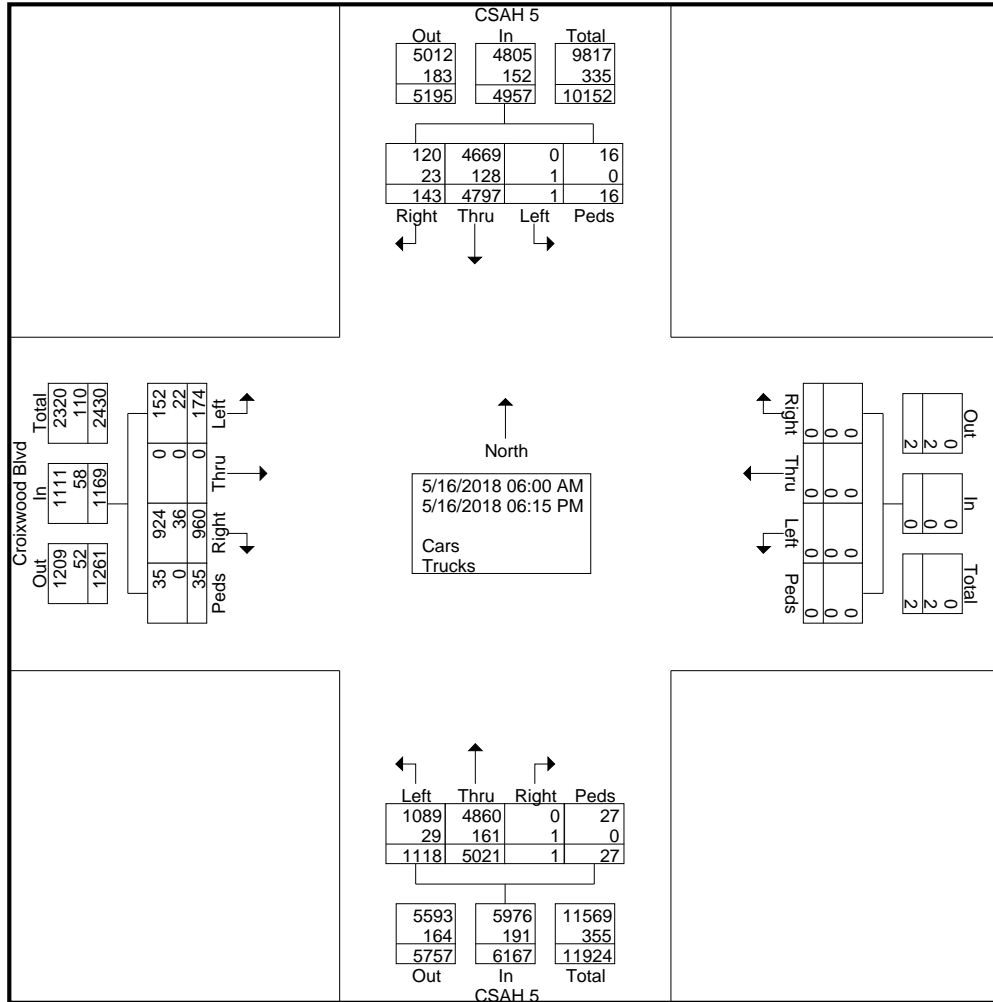
--TRAFFIC DATA--

File Name : 706_CSAH 5 & Croixwood Blvd

Site Code : 706

Start Date : 5/16/2018

Page No : 3



Start Time	CSAH 5 Southbound					Westbound					CSAH 5 Northbound					Croixwood Blvd Eastbound					Int. Total
	Peds	Right	Thru	Left	App. Total	Peds	Right	Thru	Left	App. Total	Peds	Right	Thru	Left	App. Total	Peds	Right	Thru	Left	App. Total	
Peak Hour Analysis From 06:00 AM to 11:45 AM - Peak 1 of 1																					
Peak Hour for Entire Intersection Begins at 07:00 AM																					
07:00 AM	0	1	197	0	198	0	0	0	0	0	0	0	38	7	45	0	36	0	1	37	280
07:15 AM	1	2	214	0	217	0	0	0	0	0	0	0	68	21	89	0	44	0	7	51	357
07:30 AM	0	4	137	0	141	0	0	0	0	0	0	0	99	18	117	0	30	0	5	35	293
07:45 AM	0	4	143	0	147	0	0	0	0	0	0	0	87	10	97	0	37	0	4	41	285
Total Volume	1	11	691	0	703	0	0	0	0	0	0	0	292	56	348	0	147	0	17	164	1215
% App. Total	0.1	1.6	98.3	0		0	0	0	0	0	0	0	83.9	16.1		0	89.6	0	10.4		
PHF	.250	.688	.807	.000	.810	.000	.000	.000	.000	.000	.000	.000	.737	.667	.744	.000	.835	.000	.607	.804	.851

Alliant Engineering, Inc

733 Marquette Ave, Ste 700

Minneapolis, MN 55402

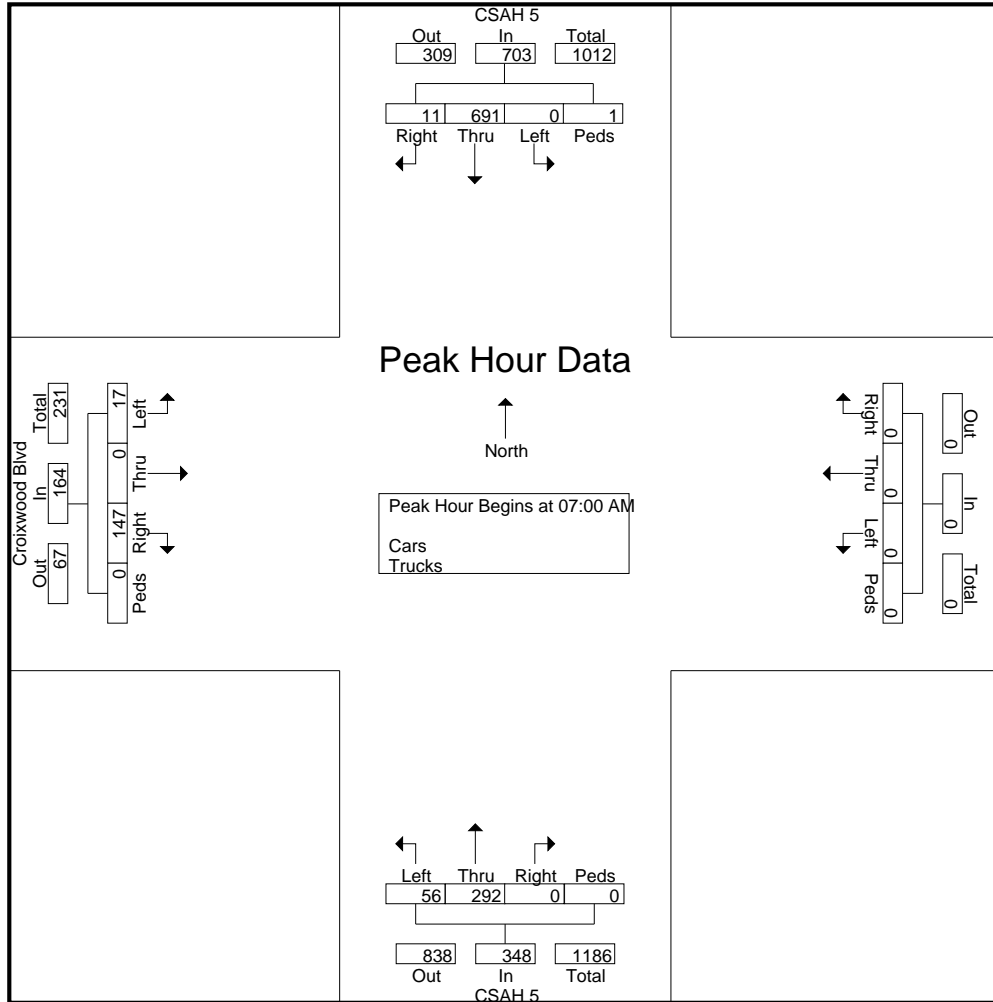
--TRAFFIC DATA--

File Name : 706_CSAH 5 & Croixwood Blvd

Site Code : 706

Start Date : 5/16/2018

Page No : 4



Peak Hour Analysis From 12:00 PM to 06:15 PM - Peak 1 of 1

Peak Hour for Entire Intersection Begins at 05:00 PM

05:00 PM	0	9	155	0	164	0	0	0	0	0	0	0	232	71	303	0	27	0	4	31	498
05:15 PM	0	5	136	0	141	0	0	0	0	0	0	0	191	49	240	3	27	0	2	32	413
05:30 PM	1	7	135	0	143	0	0	0	0	0	2	0	212	46	260	0	30	0	7	37	440
05:45 PM	0	6	123	0	129	0	0	0	0	0	0	0	204	57	261	0	26	0	12	38	428
Total Volume	1	27	549	0	577	0	0	0	0	0	2	0	839	223	1064	3	110	0	25	138	1779
% App. Total	0.2	4.7	95.1	0		0	0	0	0	0	0.2	0	78.9	21		2.2	79.7	0	18.1		
PHF	.250	.750	.885	.000	.880	.000	.000	.000	.000	.000	.250	.000	.904	.785	.878	.250	.917	.000	.521	.908	.893

Alliant Engineering, Inc

733 Marquette Ave, Ste 700

Minneapolis, MN 55402

--TRAFFIC DATA--

File Name : 706_CSAH 5 & Croixwood Blvd

Site Code : 706

Start Date : 5/16/2018

Page No : 5

