



**MINNESOTA DEPT OF TRANSPORTATION**  
**TRAFFIC DATA COLLECTION - METRO**

Loc: TH 36 @ OSGOOD AV N 2005  
 REF. PT.: 203+00.146  
 Jamar# 631/RE  
 TURN MOVEMENT COUNT

File Name : TH 36 @ OSGOOD AV N 2005  
 Site Code : 00000000  
 Start Date : 12/21/2005  
 Page No : 1

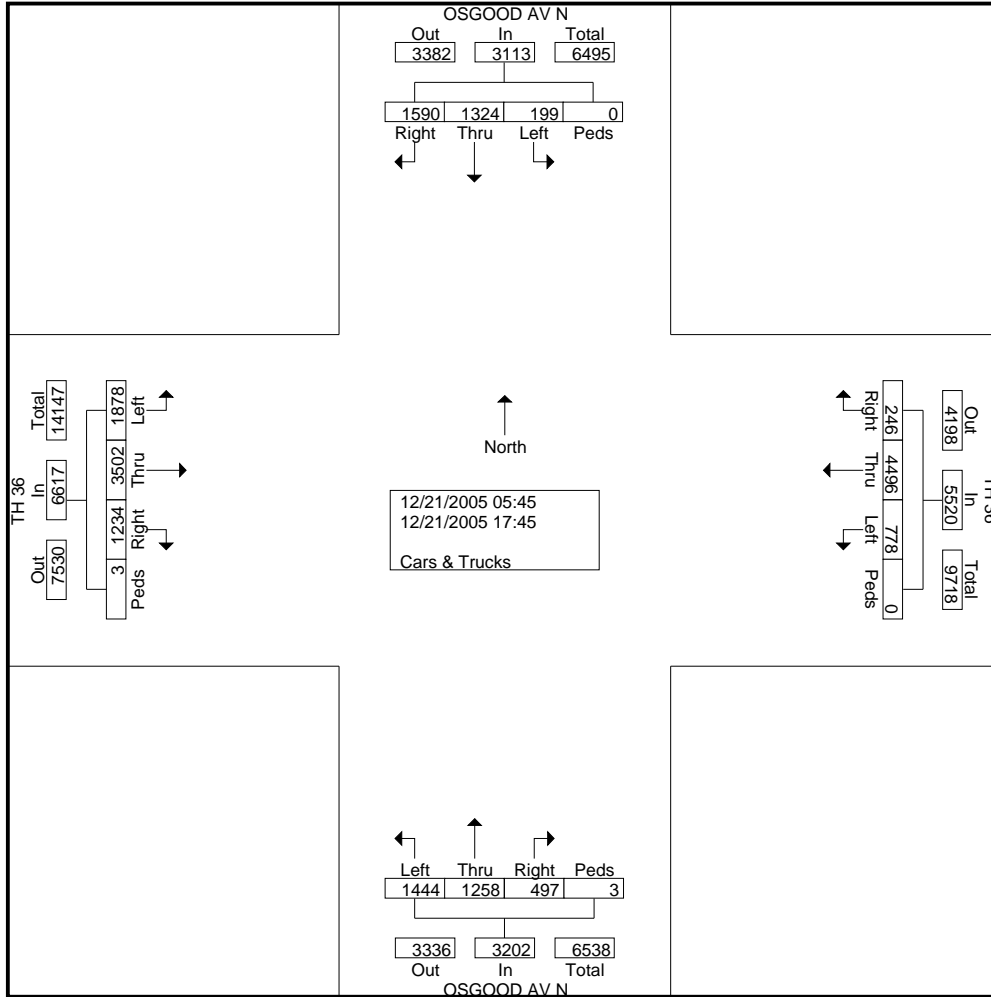
Groups Printed- Cars & Trucks

Start Time	OSGOOD AV N Southbound				TH 36 Westbound				OSGOOD AV N Northbound				TH 36 Eastbound				Int. Total
	Left	Thru	Right	Peds	Left	Thru	Right	Peds	Left	Thru	Right	Peds	Left	Thru	Right	Peds	
05:45	0	5	10	0	10	127	0	0	19	5	12	0	5	61	10	0	264
Total	0	5	10	0	10	127	0	0	19	5	12	0	5	61	10	0	264
06:00	0	19	16	0	26	164	0	0	32	4	5	0	6	50	16	0	338
06:15	2	16	16	0	23	179	4	0	32	16	14	0	12	81	31	0	426
06:30	1	18	31	0	25	161	1	0	34	13	11	0	20	135	34	0	484
06:45	1	21	35	0	41	180	5	0	58	24	16	0	24	96	35	0	536
Total	4	74	98	0	115	684	10	0	156	57	46	0	62	362	116	0	1784
07:00	3	29	51	0	35	168	3	0	51	26	14	0	38	105	26	0	549
07:15	3	35	49	0	51	208	13	0	52	42	14	0	43	87	22	0	619
07:30	1	39	73	0	43	187	9	0	51	59	7	0	88	82	26	0	665
07:45	8	62	67	0	43	162	9	0	63	80	12	0	73	97	33	0	709
Total	15	165	240	0	172	725	34	0	217	207	47	0	242	371	107	0	2542
08:00	3	47	49	0	42	146	14	0	61	40	11	0	79	95	27	0	614
08:15	4	38	48	0	38	178	13	0	47	49	12	0	86	58	24	0	595
08:30	6	53	52	0	25	146	10	0	60	59	12	0	66	82	24	0	595
08:45	6	46	40	0	28	155	4	0	65	70	12	0	74	92	25	0	617
Total	19	184	189	0	133	625	41	0	233	218	47	0	305	327	100	0	2421
14:30	9	56	58	0	23	198	12	0	40	41	14	0	75	167	61	0	754
14:45	10	70	72	0	32	156	11	0	63	69	30	0	79	142	57	1	792
Total	19	126	130	0	55	354	23	0	103	110	44	0	154	309	118	1	1546
15:00	7	63	66	0	32	196	12	0	60	59	15	2	108	146	59	0	825
15:15	8	65	68	0	23	202	17	0	80	79	20	0	122	145	68	2	899
15:30	13	83	76	0	19	193	19	0	57	70	16	0	102	122	61	0	831
15:45	12	88	87	0	28	149	14	0	72	55	22	1	95	157	54	0	834
Total	40	299	297	0	102	740	62	0	269	263	73	3	427	570	242	2	3389
16:00	11	70	66	0	29	184	11	0	67	60	32	0	88	181	78	0	877
16:15	22	44	85	0	26	162	13	0	46	52	31	0	92	185	61	0	819
16:30	15	68	118	0	29	185	4	0	58	53	35	0	77	177	65	0	884
16:45	8	59	74	0	22	161	8	0	55	49	37	0	91	193	75	0	832
Total	56	241	343	0	106	692	36	0	226	214	135	0	348	736	279	0	3412
17:00	13	77	82	0	21	150	8	0	54	48	28	0	99	179	77	0	836
17:15	15	49	68	0	19	133	12	0	68	60	26	0	90	177	67	0	784
17:30	10	55	71	0	20	150	12	0	52	35	24	0	67	188	64	0	748
17:45	8	49	62	0	25	116	8	0	47	41	15	0	79	222	54	0	726
Total	46	230	283	0	85	549	40	0	221	184	93	0	335	766	262	0	3094
Grand Total	199	1324	1590	0	778	4496	246	0	1444	1258	497	3	1878	3502	1234	3	18452
Apprch %	6.4	42.5	51.1	0	14.1	81.4	4.5	0	45.1	39.3	15.5	0.1	28.4	52.9	18.6	0	
Total %	1.1	7.2	8.6	0	4.2	24.4	1.3	0	7.8	6.8	2.7	0	10.2	19	6.7	0	



**MINNESOTA DEPT OF TRANSPORTATION**  
**TRAFFIC DATA COLLECTION - METRO**

File Name : TH 36 @ OSGOOD AV N 2005  
 Site Code : 00000000  
 Start Date : 12/21/2005  
 Page No : 2



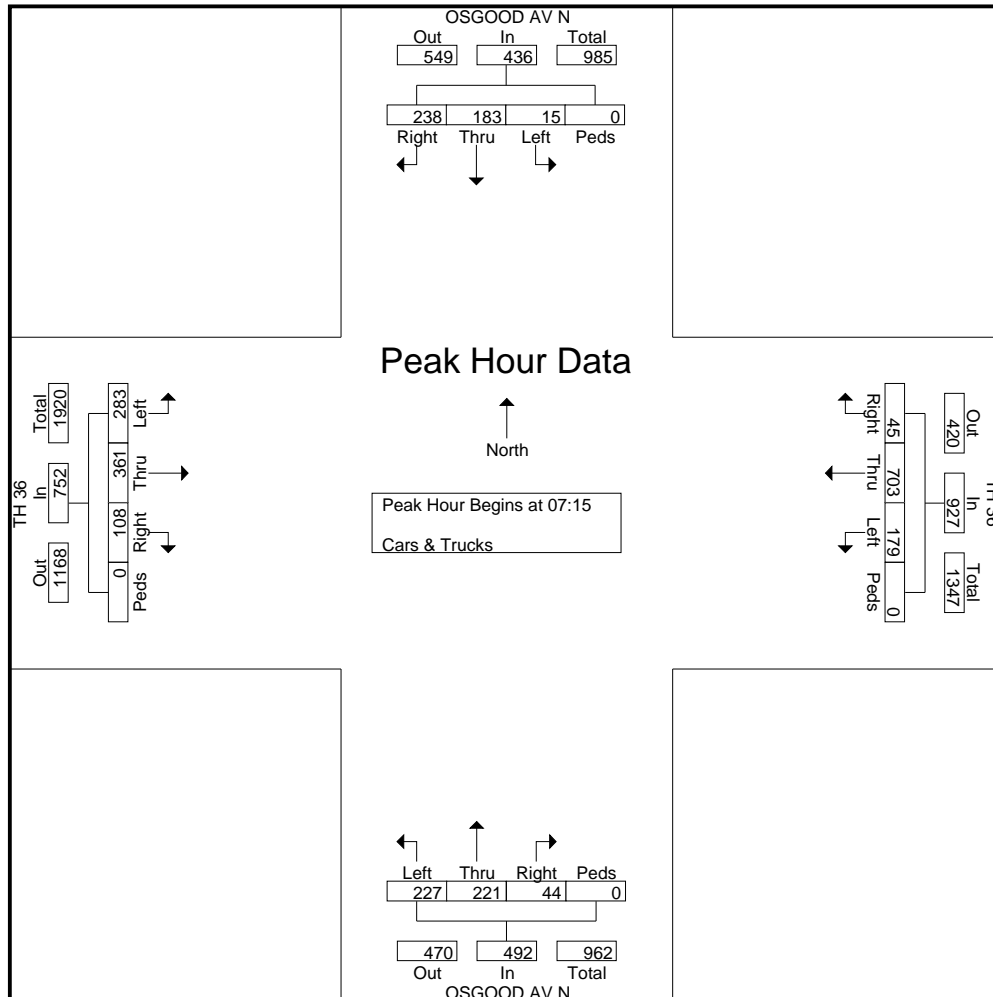


# MINNESOTA DEPT OF TRANSPORTATION

## TRAFFIC DATA COLLECTION - METRO

File Name : TH 36 @ OSGOOD AV N 2005  
 Site Code : 00000000  
 Start Date : 12/21/2005  
 Page No : 3

Start Time	OSGOOD AV N Southbound					TH 36 Westbound					OSGOOD AV N Northbound					TH 36 Eastbound					Int. Total
	Left	Thru	Right	Peds	App. Total	Left	Thru	Right	Peds	App. Total	Left	Thru	Right	Peds	App. Total	Left	Thru	Right	Peds	App. Total	
Peak Hour Analysis From 05:45 to 08:45 - Peak 1 of 1																					
Peak Hour for Entire Intersection Begins at 07:15																					
07:15	3	35	49	0	87	51	208	13	0	272	52	42	14	0	108	43	87	22	0	152	619
07:30	1	39	73	0	113	43	187	9	0	239	51	59	7	0	117	88	82	26	0	196	665
07:45	8	62	67	0	137	43	162	9	0	214	63	80	12	0	155	73	97	33	0	203	709
08:00	3	47	49	0	99	42	146	14	0	202	61	40	11	0	112	79	95	27	0	201	614
Total Volume	15	183	238	0	436	179	703	45	0	927	227	221	44	0	492	283	361	108	0	752	2607
% App. Total	3.4	42	54.6	0		19.3	75.8	4.9	0		46.1	44.9	8.9	0		37.6	48	14.4	0		
PHF	.469	.738	.815	.000	.796	.877	.845	.804	.000	.852	.901	.691	.786	.000	.794	.804	.930	.818	.000	.926	.919





# MINNESOTA DEPT OF TRANSPORTATION

## TRAFFIC DATA COLLECTION - METRO

File Name : TH 36 @ OSGOOD AV N 2005  
 Site Code : 00000000  
 Start Date : 12/21/2005  
 Page No : 4

Start Time	OSGOOD AV N Southbound					TH 36 Westbound					OSGOOD AV N Northbound					TH 36 Eastbound					Int. Total
	Left	Thru	Right	Peds	App. Total	Left	Thru	Right	Peds	App. Total	Left	Thru	Right	Peds	App. Total	Left	Thru	Right	Peds	App. Total	
Peak Hour Analysis From 15:00 to 17:45 - Peak 1 of 1																					
Peak Hour for Entire Intersection Begins at 15:15																					
15:15	8	65	68	0	141	23	<b>202</b>	17	0	<b>242</b>	<b>80</b>	<b>79</b>	20	0	<b>179</b>	<b>122</b>	145	68	<b>2</b>	337	<b>899</b>
15:30	<b>13</b>	83	76	0	172	19	193	<b>19</b>	0	231	57	70	16	0	143	102	122	61	0	285	831
15:45	12	<b>88</b>	<b>87</b>	0	<b>187</b>	28	149	14	0	191	72	55	22	<b>1</b>	150	95	157	54	0	306	834
16:00	11	70	66	0	147	<b>29</b>	184	11	0	224	67	60	<b>32</b>	0	159	88	<b>181</b>	<b>78</b>	0	<b>347</b>	877
Total Volume	44	306	297	0	647	99	728	61	0	888	276	264	90	1	631	407	605	261	2	1275	3441
% App. Total	6.8	47.3	45.9	0		11.1	82	6.9	0		43.7	41.8	14.3	0.2		31.9	47.5	20.5	0.2		
PHF	.846	.869	.853	.000	.865	.853	.901	.803	.000	.917	.863	.835	.703	.250	.881	.834	.836	.837	.250	.919	.957

