



MINNESOTA DEPT OF TRANSPORTATION

TRAFFIC DATA COLLECTION - METRO

Location: TH 47 (FERRY ST) @ PLEASANT ST 2006
 REF. PT.: 020+00.777
 Jamar# 1358/MAR
 TURN MOVEMENT COUNT

File Name : TH 47-FERRY ST @ PLEASANT ST 2006
 Site Code : 00000000
 Start Date : 5/4/2006
 Page No : 1

Groups Printed- Cars & Trucks

Start Time	TH 47 FERRY ST Southbound					PLEASANT ST Westbound					TH 47 FERRY ST Northbound					PLEASANT ST Eastbound					Int. Total
	LEFT	THRU	RIGHT	Peds	App. Total	LEFT	THRU	RIGHT	Peds	App. Total	LEFT	THRU	RIGHT	Peds	App. Total	LEFT	THRU	RIGHT	Peds	App. Total	
06:00	7	242	1	0	250	12	2	1	0	15	0	24	6	0	30	0	1	4	0	5	300
06:15	22	254	1	0	277	12	3	5	0	20	1	54	9	0	64	1	2	3	0	6	367
06:30	21	221	0	0	242	16	5	11	0	32	4	62	14	0	80	1	3	5	0	9	363
06:45	40	231	0	0	271	13	9	10	0	32	3	68	17	0	88	0	1	5	0	6	397
Total	90	948	2	0	1040	53	19	27	0	99	8	208	46	0	262	2	7	17	0	26	1427
07:00	32	213	0	0	245	23	8	11	1	43	2	62	21	0	85	0	6	11	0	17	390
07:15	45	197	0	1	243	19	8	12	2	41	4	97	16	0	117	0	9	12	1	22	423
07:30	57	198	1	0	256	20	16	32	0	68	9	87	13	0	109	3	9	11	0	23	456
07:45	67	178	1	0	246	25	7	20	0	52	6	110	29	0	145	0	10	9	1	20	463
Total	201	786	2	1	990	87	39	75	3	204	21	356	79	0	456	3	34	43	2	82	1732
08:00	49	197	0	0	246	26	14	18	1	59	8	102	15	0	125	2	10	13	0	25	455
08:15	29	201	0	0	230	13	9	16	0	38	3	106	12	0	121	2	4	6	0	12	401
08:30	28	168	0	1	197	12	10	15	0	37	3	93	13	1	110	1	3	17	0	21	365
08:45	17	172	0	0	189	20	2	18	0	40	14	101	9	0	124	3	2	5	0	10	363
Total	123	738	0	1	862	71	35	67	1	174	28	402	49	1	480	8	19	41	0	68	1584
11:00	15	99	0	0	114	11	4	13	0	28	4	95	15	0	114	1	3	5	0	9	265
11:15	22	104	2	0	128	13	7	20	0	40	5	99	12	0	116	2	12	13	1	28	312
11:30	21	107	1	0	129	18	7	17	1	43	6	123	10	0	139	1	3	5	0	9	320
11:45	16	124	0	0	140	11	8	22	0	41	5	132	8	0	145	3	4	6	0	13	339
Total	74	434	3	0	511	53	26	72	1	152	20	449	45	0	514	7	22	29	1	59	1236
12:00	17	127	1	0	145	13	5	25	0	43	13	106	9	0	128	3	5	22	0	30	346
12:15	31	118	0	0	149	14	3	27	0	44	7	134	13	0	154	4	5	12	0	21	368
12:30	23	120	1	0	144	23	3	22	0	48	8	124	17	0	149	0	4	7	0	11	352
12:45	22	119	1	0	142	8	5	24	0	37	5	121	16	0	142	4	3	14	2	23	344
Total	93	484	3	0	580	58	16	98	0	172	33	485	55	0	573	11	17	55	2	85	1410
15:00	20	118	0	0	138	26	7	62	2	97	8	204	28	1	241	0	2	4	0	6	482
15:15	14	124	3	0	141	21	4	52	1	78	9	251	26	0	286	2	4	15	0	21	526
15:30	26	156	1	0	183	32	8	54	0	94	3	210	26	0	239	10	15	17	0	42	558
15:45	13	118	1	1	133	31	25	45	0	101	14	212	34	0	260	13	11	14	0	38	532
Total	73	516	5	1	595	110	44	213	3	370	34	877	114	1	1026	25	32	50	0	107	2098
16:00	28	157	2	1	188	18	10	65	1	94	8	227	28	0	263	29	23	20	1	73	618
16:15	18	137	1	0	156	18	5	53	0	76	8	223	22	0	253	5	14	17	0	36	521
16:30	32	151	2	0	185	38	6	61	7	112	10	216	32	0	258	2	14	12	0	28	583
16:45	19	140	1	0	160	19	10	57	0	86	4	244	25	0	273	6	2	8	0	16	535
Total	97	585	6	1	689	93	31	236	8	368	30	910	107	0	1047	42	53	57	1	153	2257
17:00	17	129	2	1	149	29	7	73	0	109	4	211	22	0	237	3	8	10	0	21	516
17:15	15	105	1	0	121	22	3	68	4	97	5	229	32	1	267	1	9	4	0	14	499
17:30	24	134	0	0	158	28	11	62	1	102	7	238	34	0	279	4	4	5	0	13	552
17:45	44	152	0	0	196	21	1	43	0	65	5	214	32	1	252	5	2	6	0	13	526
Total	100	520	3	1	624	100	22	246	5	373	21	892	120	2	1035	13	23	25	0	61	2093
Grand Total	851	5011	24	5	5891	625	232	1034	21	1912	195	4579	615	4	5393	111	207	317	6	641	13837
Apprch %	14.4	85.1	0.4	0.1		32.7	12.1	54.1	1.1		3.6	84.9	11.4	0.1		17.3	32.3	49.5	0.9		
Total %	6.2	36.2	0.2	0	42.6	4.5	1.7	7.5	0.2	13.8	1.4	33.1	4.4	0	39	0.8	1.5	2.3	0	4.6	

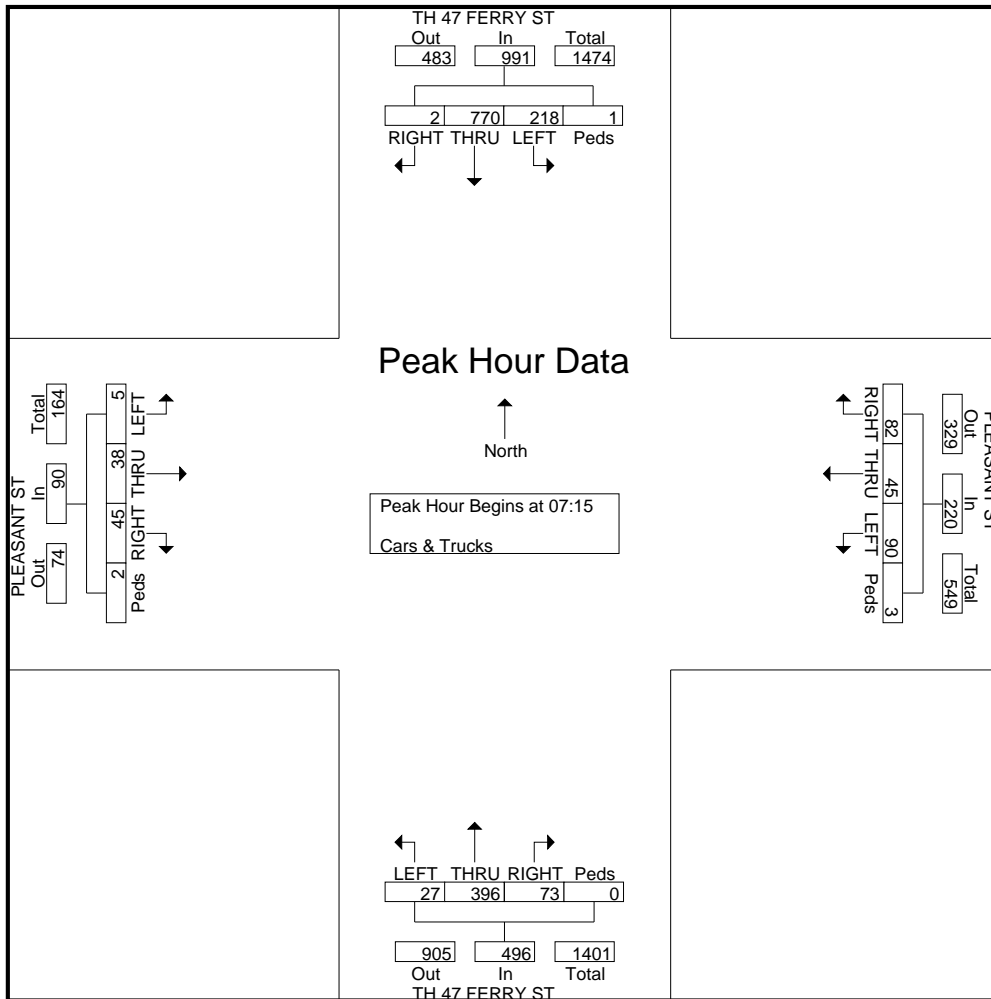


MINNESOTA DEPT OF TRANSPORTATION

TRAFFIC DATA COLLECTION - METRO

File Name : TH 47-FERRY ST @ PLEASANT ST 2006
 Site Code : 00000000
 Start Date : 5/4/2006
 Page No : 2

Start Time	TH 47 FERRY ST Southbound					PLEASANT ST Westbound					TH 47 FERRY ST Northbound					PLEASANT ST Eastbound					Int. Total
	LEFT	THRU	RIGHT	Peds	App. Total	LEFT	THRU	RIGHT	Peds	App. Total	LEFT	THRU	RIGHT	Peds	App. Total	LEFT	THRU	RIGHT	Peds	App. Total	
Peak Hour Analysis From 06:00 to 09:45 - Peak 1 of 1																					
Peak Hour for Entire Intersection Begins at 07:15																					
07:15	45	197	0	1	243	19	8	12	2	41	4	97	16	0	117	0	9	12	1	22	423
07:30	57	198	1	0	256	20	16	32	0	68	9	87	13	0	109	3	9	11	0	23	456
07:45	67	178	1	0	246	25	7	20	0	52	6	110	29	0	145	0	10	9	1	20	463
08:00	49	197	0	0	246	26	14	18	1	59	8	102	15	0	125	2	10	13	0	25	455
Total Volume	218	770	2	1	991	90	45	82	3	220	27	396	73	0	496	5	38	45	2	90	1797
% App. Total	22	77.7	0.2	0.1		40.9	20.5	37.3	1.4		5.4	79.8	14.7	0		5.6	42.2	50	2.2		
PHF	.813	.972	.500	.250	.968	.865	.703	.641	.375	.809	.750	.900	.629	.000	.855	.417	.950	.865	.500	.900	.970



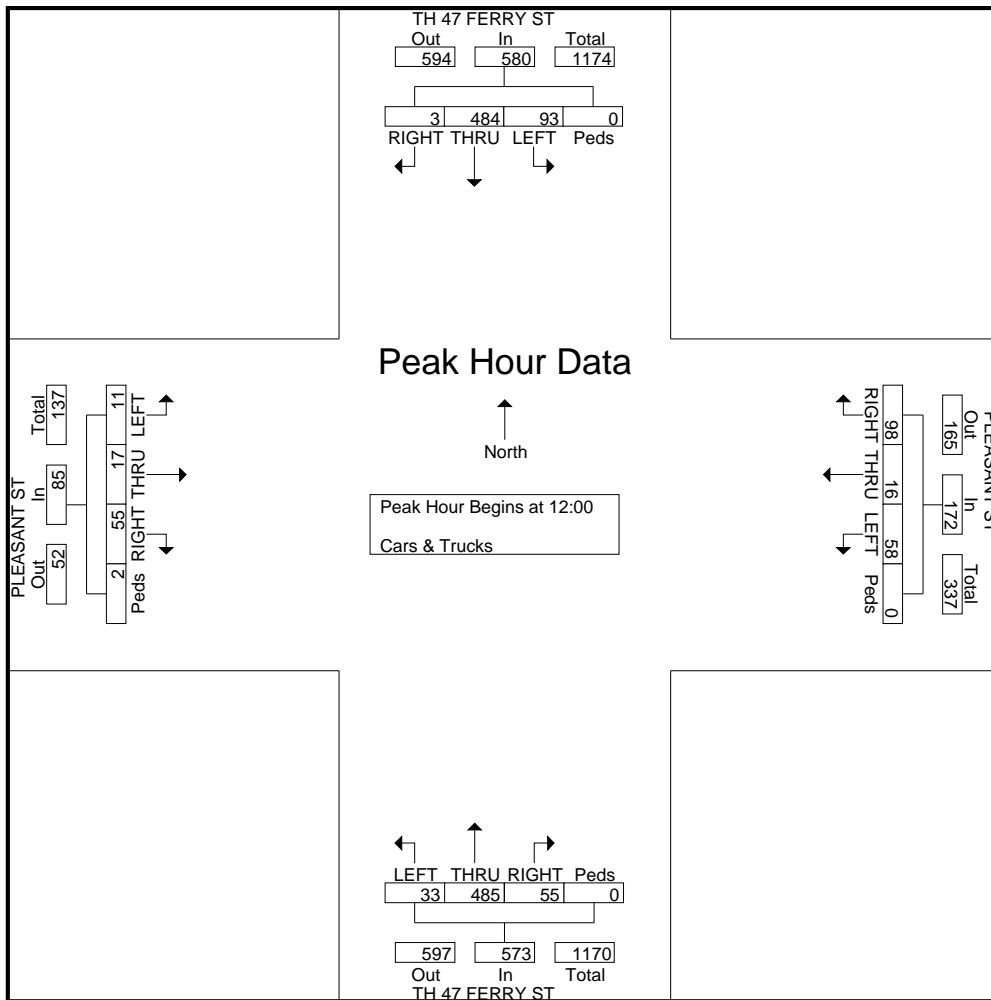


MINNESOTA DEPT OF TRANSPORTATION

TRAFFIC DATA COLLECTION - METRO

File Name : TH 47-FERRY ST @ PLEASANT ST 2006
 Site Code : 00000000
 Start Date : 5/4/2006
 Page No : 3

Start Time	TH 47 FERRY ST Southbound					PLEASANT ST Westbound					TH 47 FERRY ST Northbound					PLEASANT ST Eastbound					Int. Total
	LEFT	THRU	RIGHT	Peds	App. Total	LEFT	THRU	RIGHT	Peds	App. Total	LEFT	THRU	RIGHT	Peds	App. Total	LEFT	THRU	RIGHT	Peds	App. Total	
Peak Hour Analysis From 10:00 to 13:45 - Peak 1 of 1																					
Peak Hour for Entire Intersection Begins at 12:00																					
12:00	17	127	1	0	145	13	5	25	0	43	13	106	9	0	128	3	5	22	0	30	346
12:15	31	118	0	0	149	14	3	27	0	44	7	134	13	0	154	4	5	12	0	21	368
12:30	23	120	1	0	144	23	3	22	0	48	8	124	17	0	149	0	4	7	0	11	352
12:45	22	119	1	0	142	8	5	24	0	37	5	121	16	0	142	4	3	14	2	23	344
Total Volume	93	484	3	0	580	58	16	98	0	172	33	485	55	0	573	11	17	55	2	85	1410
% App. Total	16	83.4	0.5	0		33.7	9.3	57	0		5.8	84.6	9.6	0		12.9	20	64.7	2.4		
PHF	.750	.953	.750	.000	.973	.630	.800	.907	.000	.896	.635	.905	.809	.000	.930	.688	.850	.625	.250	.708	.958





MINNESOTA DEPT OF TRANSPORTATION

TRAFFIC DATA COLLECTION - METRO

File Name : TH 47-FERRY ST @ PLEASANT ST 2006

Site Code : 00000000

Start Date : 5/4/2006

Page No : 4

Start Time	TH 47 FERRY ST Southbound					PLEASANT ST Westbound					TH 47 FERRY ST Northbound					PLEASANT ST Eastbound					Int. Total
	LEFT	THRU	RIGHT	Peds	App. Total	LEFT	THRU	RIGHT	Peds	App. Total	LEFT	THRU	RIGHT	Peds	App. Total	LEFT	THRU	RIGHT	Peds	App. Total	
Peak Hour Analysis From 14:00 to 17:45 - Peak 1 of 1																					
Peak Hour for Entire Intersection Begins at 16:00																					
16:00	28	157	2	1	188	18	10	65	1	94	8	227	28	0	263	29	23	20	1	73	618
16:15	18	137	1	0	156	18	5	53	0	76	8	223	22	0	253	5	14	17	0	36	521
16:30	32	151	2	0	185	38	6	61	7	112	10	216	32	0	258	2	14	12	0	28	583
16:45	19	140	1	0	160	19	10	57	0	86	4	244	25	0	273	6	2	8	0	16	535
Total Volume	97	585	6	1	689	93	31	236	8	368	30	910	107	0	1047	42	53	57	1	153	2257
% App. Total	14.1	84.9	0.9	0.1		25.3	8.4	64.1	2.2		2.9	86.9	10.2	0		27.5	34.6	37.3	0.7		
PHF	.758	.932	.750	.250	.916	.612	.775	.908	.286	.821	.750	.932	.836	.000	.959	.362	.576	.713	.250	.524	.913

