

MINNESOTA DEPARTMENT of TRANSPORTATION
DATA COLLECTION UNIT

TH-5 at Minnewashta Pkwy
 Ref.Pt.: 041+00.45
 Video by SH
 TURN MOVEMENTS

File Name : TH-5 at Minnewashta Pkwy_2019
 Site Code :
 Start Date : 12/18/2019
 Page No : 1

Groups Printed- Cars + - Trucks

Start Time	Minnewashta Pkwy South Bound				TH-5 West Bound				N/A North Bound				TH-5 East Bound				Int. Total
	Right	Thru	Left	Peds	Right	Thru	Left	Peds	Right	Thru	Left	Peds	Right	Thru	Left	Peds	
06:00 AM	1	0	15	0	2	59	0	0	0	0	0	0	0	234	1	0	312
06:15 AM	1	0	5	0	2	66	0	0	0	0	0	0	0	323	2	0	399
06:30 AM	5	0	18	0	1	80	0	1	0	0	0	0	0	393	2	0	500
06:45 AM	8	0	7	0	4	75	0	0	0	0	0	0	0	397	4	0	495
Total	15	0	45	0	9	280	0	1	0	0	0	0	0	1347	9	0	1706
07:00 AM	3	0	11	0	4	102	0	0	0	0	0	0	0	425	1	0	546
07:15 AM	13	0	19	0	5	95	0	0	0	0	0	0	0	411	3	0	546
07:30 AM	6	0	15	0	6	124	0	0	0	0	0	0	0	386	1	0	538
07:45 AM	4	0	14	0	5	96	0	0	0	0	0	0	0	338	4	0	461
Total	26	0	59	0	20	417	0	0	0	0	0	0	0	1560	9	0	2091
08:00 AM	3	0	13	0	2	79	0	0	0	0	0	0	0	348	4	0	449
08:15 AM	1	0	13	0	4	83	0	0	0	0	0	0	0	293	5	0	399
08:30 AM	4	0	10	0	6	113	0	0	0	0	0	0	0	311	1	0	445
08:45 AM	9	0	11	0	5	119	0	0	0	0	0	0	0	263	3	0	410
Total	17	0	47	0	17	394	0	0	0	0	0	0	0	1215	13	0	1703
09:00 AM	2	0	7	0	11	80	0	0	0	0	0	0	0	256	6	0	362
09:15 AM	3	0	8	0	8	106	0	0	0	0	0	0	0	207	3	0	335
09:30 AM	2	0	15	0	7	128	0	0	0	0	0	0	0	219	2	0	373
09:45 AM	8	0	17	1	4	123	0	0	0	0	0	0	0	179	4	0	336
Total	15	0	47	1	30	437	0	0	0	0	0	0	0	861	15	0	1406
10:00 AM	8	0	9	0	5	109	0	0	0	0	0	0	0	180	4	0	315
10:15 AM	5	0	7	0	4	165	0	0	0	0	0	0	0	181	2	0	364
10:30 AM	8	0	7	0	5	140	0	0	0	0	0	0	0	188	4	0	352
10:45 AM	4	0	12	0	8	119	0	0	0	0	0	0	0	208	4	0	355
Total	25	0	35	0	22	533	0	0	0	0	0	0	0	757	14	0	1386
11:00 AM	6	0	9	0	13	176	0	0	0	0	0	0	0	218	1	0	423
11:15 AM	2	0	10	0	11	145	0	0	0	0	0	0	0	198	5	0	371
11:30 AM	8	0	7	0	11	163	0	0	0	0	0	0	0	182	6	0	377
11:45 AM	2	0	3	0	12	180	0	0	0	0	0	0	0	167	5	0	369
Total	18	0	29	0	47	664	0	0	0	0	0	0	0	765	17	0	1540
12:00 PM	4	0	10	2	11	166	0	0	0	0	0	0	0	214	6	0	413
12:15 PM	5	0	10	0	9	163	0	0	0	0	0	0	0	197	2	0	386
12:30 PM	7	0	10	0	10	151	0	0	0	0	0	0	0	190	5	0	373
12:45 PM	2	0	9	1	14	210	0	0	0	0	0	0	0	156	4	0	396
Total	18	0	39	3	44	690	0	0	0	0	0	0	0	757	17	0	1568
01:00 PM	5	0	11	0	10	149	0	0	0	0	0	0	0	155	4	0	334
01:15 PM	6	0	10	0	14	206	0	0	0	0	0	0	0	166	2	0	404
01:30 PM	8	0	8	0	16	201	0	0	0	0	0	0	0	161	4	0	398
01:45 PM	2	0	8	0	8	211	0	0	0	0	0	0	0	162	7	0	398
Total	21	0	37	0	48	767	0	0	0	0	0	0	0	644	17	0	1534
02:00 PM	4	0	6	0	12	220	0	0	0	0	0	0	0	173	2	0	417
02:15 PM	1	0	9	0	14	249	0	0	0	0	0	0	0	175	2	0	450
02:30 PM	7	0	5	0	10	230	0	0	0	0	0	0	0	179	6	0	437
02:45 PM	10	0	11	0	16	305	0	0	0	0	0	0	0	174	12	0	528
Total	22	0	31	0	52	1004	0	0	0	0	0	0	0	701	22	0	1832

MINNESOTA DEPARTMENT of TRANSPORTATION
DATA COLLECTION UNIT

TH-5 at Minnewashta Pkwy
 Ref.Pt.: 041+00.45
 Video by SH
 TURN MOVEMENTS

File Name : TH-5 at Minnewashta Pkwy_2019
 Site Code :
 Start Date : 12/18/2019
 Page No : 2

Groups Printed- Cars + - Trucks

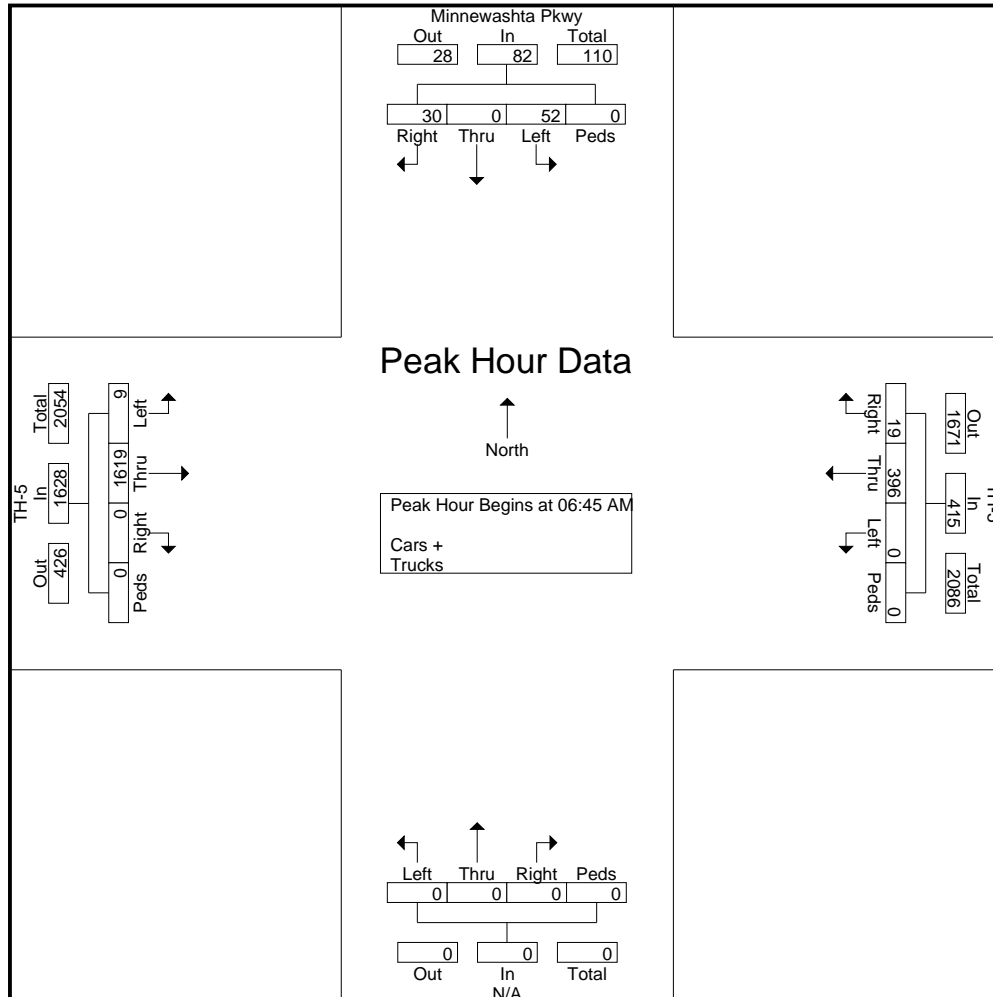
Start Time	Minnewashta Pkwy South Bound				TH-5 West Bound				N/A North Bound				TH-5 East Bound				Int. Total
	Right	Thru	Left	Peds	Right	Thru	Left	Peds	Right	Thru	Left	Peds	Right	Thru	Left	Peds	
03:00 PM	5	0	10	0	16	297	0	0	0	0	0	0	0	179	5	0	512
03:15 PM	3	0	8	0	12	301	0	0	0	0	0	0	0	192	11	0	527
03:30 PM	5	0	7	0	19	354	0	0	0	0	0	0	0	177	4	0	566
03:45 PM	6	0	6	0	17	363	0	0	0	0	0	0	0	169	8	0	569
Total	19	0	31	0	64	1315	0	0	0	0	0	0	0	717	28	0	2174
04:00 PM	9	0	5	0	16	360	0	0	0	0	0	0	0	189	4	0	583
04:15 PM	4	0	7	0	31	363	0	0	0	0	0	0	0	199	5	0	609
04:30 PM	8	0	9	0	14	354	0	0	0	0	0	0	0	157	2	0	544
04:45 PM	8	0	5	0	15	349	0	0	0	0	0	0	0	198	7	0	582
Total	29	0	26	0	76	1426	0	0	0	0	0	0	0	743	18	0	2318
05:00 PM	6	0	6	0	22	371	0	0	0	0	0	0	0	185	3	0	593
05:15 PM	6	0	6	0	30	363	0	0	0	0	0	0	0	192	8	0	605
05:30 PM	10	0	7	0	26	327	0	0	0	0	0	0	0	189	7	0	566
05:45 PM	3	0	8	0	18	281	0	0	0	0	0	0	0	189	7	0	506
Total	25	0	27	0	96	1342	0	0	0	0	0	0	0	755	25	0	2270
Grand Total	250	0	453	4	525	9269	0	1	0	0	0	0	0	10822	204	0	21528
Apprch %	35.4	0	64.1	0.6	5.4	94.6	0	0	0	0	0	0	0	98.1	1.9	0	
Total %	1.2	0	2.1	0	2.4	43.1	0	0	0	0	0	0	0	50.3	0.9	0	
Cars +	246	0	452	4	523	9227	0	1	0	0	0	0	0	10765	201	0	21419
% Cars +	98.4	0	99.8	100	99.6	99.5	0	100	0	0	0	0	0	99.5	98.5	0	99.5
Trucks	4	0	1	0	2	42	0	0	0	0	0	0	0	57	3	0	109
% Trucks	1.6	0	0.2	0	0.4	0.5	0	0	0	0	0	0	0	0.5	1.5	0	0.5

MINNESOTA DEPARTMENT of TRANSPORTATION
DATA COLLECTION UNIT

TH-5 at Minnewashta Pkwy
Ref.Pt.: 041+00.45
Video by SH
TURN MOVEMENTS

File Name : TH-5 at Minnewashta Pkwy_2019
Site Code :
Start Date : 12/18/2019
Page No : 3

Start Time	Minnewashta Pkwy South Bound					TH-5 West Bound					N/A North Bound					TH-5 East Bound					Int. Total
	Right	Thru	Left	Peds	App. Total	Right	Thru	Left	Peds	App. Total	Right	Thru	Left	Peds	App. Total	Right	Thru	Left	Peds	App. Total	
Peak Hour Analysis From 06:00 AM to 11:45 AM - Peak 1 of 1																					
Peak Hour for Entire Intersection Begins at 06:45 AM																					
06:45 AM	8	0	7	0	15	4	75	0	0	79	0	0	0	0	0	0	397	4	0	401	495
07:00 AM	3	0	11	0	14	4	102	0	0	106	0	0	0	0	0	0	425	1	0	426	546
07:15 AM	13	0	19	0	32	5	95	0	0	100	0	0	0	0	0	0	411	3	0	414	546
07:30 AM	6	0	15	0	21	6	124	0	0	130	0	0	0	0	0	0	386	1	0	387	538
Total Volume	30	0	52	0	82	19	396	0	0	415	0	0	0	0	0	0	1619	9	0	1628	2125
% App. Total	36.6	0	63.4	0		4.6	95.4	0	0		0	0	0	0	0	0	99.4	0.6	0		
PHF	.577	.000	.684	.000	.641	.792	.798	.000	.000	.798	.000	.000	.000	.000	.000	.000	.952	.563	.000	.955	.973



MINNESOTA DEPARTMENT of TRANSPORTATION
DATA COLLECTION UNIT

TH-5 at Minnewashta Pkwy
Ref.Pt.: 041+00.45
Video by SH
TURN MOVEMENTS

File Name : TH-5 at Minnewashta Pkwy_2019
Site Code :
Start Date : 12/18/2019
Page No : 4

Start Time	Minnewashta Pkwy South Bound					TH-5 West Bound					N/A North Bound					TH-5 East Bound					Int. Total
	Right	Thru	Left	Peds	App. Total	Right	Thru	Left	Peds	App. Total	Right	Thru	Left	Peds	App. Total	Right	Thru	Left	Peds	App. Total	
Peak Hour Analysis From 12:00 PM to 05:45 PM - Peak 1 of 1																					
Peak Hour for Entire Intersection Begins at 04:45 PM																					
04:45 PM	8	0	5	0	13	15	349	0	0	364	0	0	0	0	0	0	198	7	0	205	582
05:00 PM	6	0	6	0	12	22	371	0	0	393	0	0	0	0	0	0	185	3	0	188	593
05:15 PM	6	0	6	0	12	30	363	0	0	393	0	0	0	0	0	0	192	8	0	200	605
05:30 PM	10	0	7	0	17	26	327	0	0	353	0	0	0	0	0	0	189	7	0	196	566
Total Volume	30	0	24	0	54	93	1410	0	0	1503	0	0	0	0	0	0	764	25	0	789	2346
% App. Total	55.6	0	44.4	0		6.2	93.8	0	0		0	0	0	0		0	96.8	3.2	0		
PHF	.750	.000	.857	.000	.794	.775	.950	.000	.000	.956	.000	.000	.000	.000	.000	.000	.965	.781	.000	.962	.969

