

711 TH 5 and TH 41  
Ref.Pt: 40.422  
data by: Alliant Inc  
TURN MOVEMENT COUNT

File Name : 711\_TH 5 and TH 41  
Site Code : 00000711  
Start Date : 9/19/2018  
Page No : 1

Groups Printed- Class 1 - Class 2

Start Time	TH 41 Southbound					TH 5 Westbound					TH 41 Northbound					TH 5 Eastbound					Int. Total
	Peds	Right	Thru	Left	App. Total	Peds	Right	Thru	Left	App. Total	Peds	Right	Thru	Left	App. Total	Peds	Right	Thru	Left	App. Total	
06:00 AM	0	7	24	24	55	0	2	39	3	44	0	2	15	3	20	0	15	122	16	153	272
06:15 AM	0	10	31	20	61	0	12	58	14	84	0	3	26	3	32	0	7	188	43	238	415
06:30 AM	0	14	42	24	80	0	19	61	12	92	0	3	29	7	39	0	8	237	53	298	509
06:45 AM	0	22	66	24	112	0	8	75	9	92	0	9	37	11	57	0	23	288	55	366	627
Total	0	53	163	92	308	0	41	233	38	312	0	17	107	24	148	0	53	835	167	1055	1823
07:00 AM	0	23	59	37	119	0	19	54	11	84	0	15	62	12	89	0	23	294	76	393	685
07:15 AM	0	17	50	46	113	0	13	59	12	84	0	17	67	16	100	0	19	320	68	407	704
07:30 AM	0	35	90	61	186	0	16	71	7	94	0	33	82	15	130	0	13	254	68	335	745
07:45 AM	0	25	70	69	164	0	26	84	16	126	0	19	71	15	105	0	16	312	50	378	773
Total	0	100	269	213	582	0	74	268	46	388	0	84	282	58	424	0	71	1180	262	1513	2907
08:00 AM	0	31	75	67	173	0	26	69	15	110	0	18	44	11	73	0	21	251	54	326	682
08:15 AM	0	21	69	52	142	0	25	77	16	118	0	17	73	10	100	0	9	286	64	359	719
08:30 AM	0	22	76	66	164	0	25	91	19	135	0	14	72	17	103	0	8	216	53	277	679
08:45 AM	0	33	56	62	151	0	44	95	20	159	0	19	70	11	100	0	15	230	60	305	715
Total	0	107	276	247	630	0	120	332	70	522	0	68	259	49	376	0	53	983	231	1267	2795
09:00 AM	0	35	59	68	162	0	35	80	11	126	0	21	46	12	79	0	15	203	69	287	654
09:15 AM	0	32	38	69	139	0	30	103	29	162	0	25	27	11	63	0	10	169	39	218	582
*** BREAK ***																					
Total	0	67	97	137	301	0	65	183	40	288	0	46	73	23	142	0	25	372	108	505	1236
*** BREAK ***																					
10:30 AM	0	12	28	15	55	0	21	105	23	149	0	25	36	21	82	0	15	128	25	168	454
10:45 AM	0	20	32	26	78	0	32	111	24	167	0	24	35	18	77	0	7	138	30	175	497
Total	0	32	60	41	133	0	53	216	47	316	0	49	71	39	159	0	22	266	55	343	951
11:00 AM	0	25	41	19	85	0	37	91	24	152	0	31	39	26	96	0	9	134	28	171	504
11:15 AM	0	32	41	32	105	0	45	123	24	192	0	40	56	14	110	0	13	156	37	206	613
11:30 AM	0	45	43	45	133	0	35	99	15	149	0	26	40	25	91	0	8	114	25	147	520
11:45 AM	0	28	40	40	108	0	24	122	22	168	0	33	34	18	85	0	12	127	23	162	523
Total	0	130	165	136	431	0	141	435	85	661	0	130	169	83	382	0	42	531	113	686	2160
12:00 PM	0	21	44	35	100	0	29	104	18	151	0	32	49	23	104	0	18	115	18	151	506
12:15 PM	0	25	37	22	84	0	43	121	29	193	0	33	50	18	101	0	9	132	36	177	555
12:30 PM	0	18	56	40	114	0	30	124	32	186	0	34	54	22	110	0	21	110	20	151	561
12:45 PM	0	21	44	32	97	0	39	155	26	220	0	29	41	23	93	0	19	142	26	187	597
Total	0	85	181	129	395	0	141	504	105	750	0	128	194	86	408	0	67	499	100	666	2219
01:00 PM	0	16	44	32	92	0	29	124	18	171	0	32	52	18	102	0	21	114	28	163	528
01:15 PM	0	20	42	20	82	0	30	135	27	192	0	35	53	20	108	0	25	107	24	156	538
*** BREAK ***																					
Total	0	36	86	52	174	0	59	259	45	363	0	67	105	38	210	0	46	221	52	319	1066
*** BREAK ***																					
02:30 PM	0	31	49	27	107	0	32	166	34	232	0	30	51	36	117	0	7	135	27	169	625
02:45 PM	0	27	55	29	111	0	50	184	27	261	0	21	63	34	118	0	16	95	41	152	642
Total	0	58	104	56	218	0	82	350	61	493	0	51	114	70	235	0	23	230	68	321	1267
03:00 PM	0	43	65	40	148	0	45	232	25	302	0	25	83	62	170	0	12	109	36	157	777
03:15 PM	0	34	67	29	130	0	49	239	50	338	0	14	93	47	154	0	11	105	42	158	780
03:30 PM	0	31	57	32	120	0	43	199	36	278	0	17	66	53	136	0	19	123	41	183	717
03:45 PM	0	40	56	34	130	0	67	256	30	353	0	9	90	49	148	0	16	136	37	189	820
Total	0	148	245	135	528	0	204	926	141	1271	0	65	332	211	608	0	58	473	156	687	3094

711 TH 5 and TH 41  
Ref.Pt: 40.422  
data by: Alliant Inc  
TURN MOVEMENT COUNT

File Name : 711\_TH 5 and TH 41  
Site Code : 00000711  
Start Date : 9/19/2018  
Page No : 2

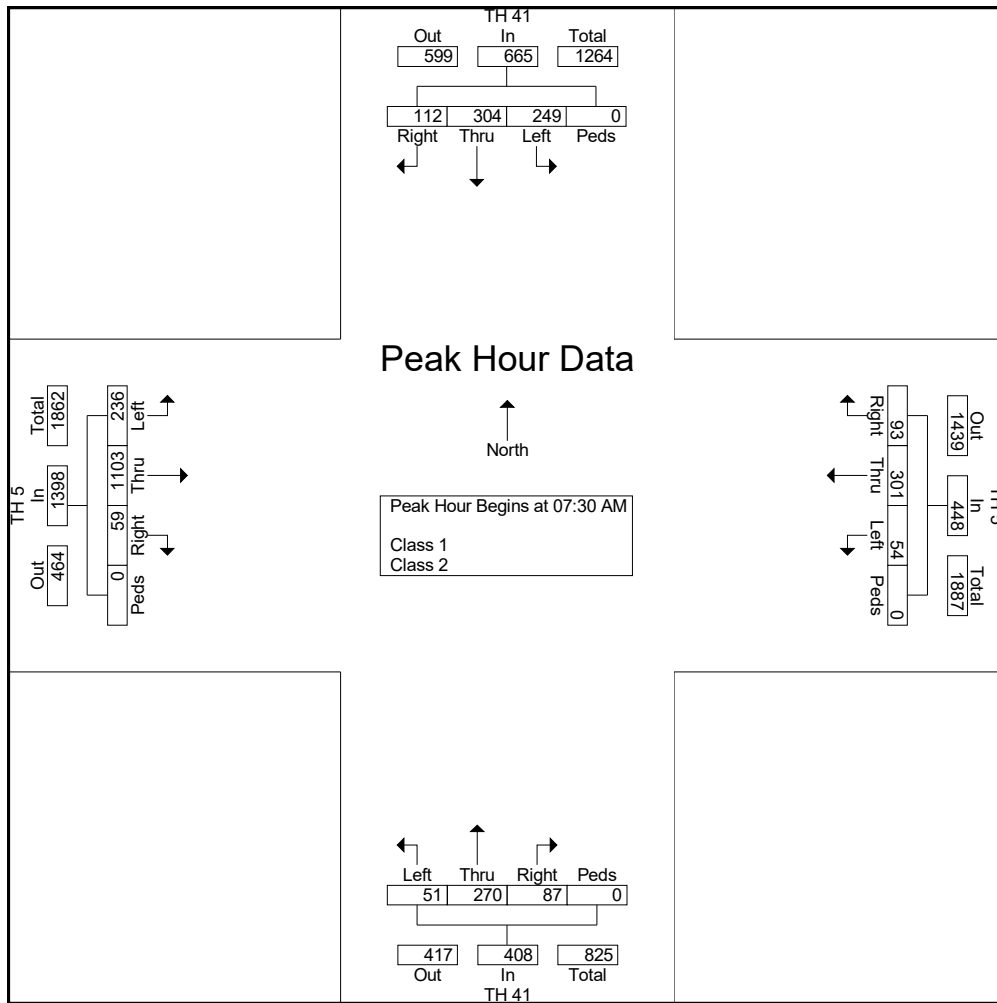
Groups Printed- Class 1 - Class 2

Start Time	TH 41 Southbound					TH 5 Westbound					TH 41 Northbound					TH 5 Eastbound					Int. Total
	Peds	Right	Thru	Left	App. Total	Peds	Right	Thru	Left	App. Total	Peds	Right	Thru	Left	App. Total	Peds	Right	Thru	Left	App. Total	
04:00 PM	0	49	48	28	125	0	76	253	30	359	0	9	100	60	169	0	12	120	43	175	828
04:15 PM	0	41	69	37	147	0	63	239	35	337	0	6	119	78	203	0	8	121	42	171	858
04:30 PM	0	40	57	27	124	0	97	272	30	399	0	6	98	62	166	0	13	105	37	155	844
04:45 PM	0	39	63	41	143	0	99	215	30	344	0	15	107	43	165	0	19	122	46	187	839
Total	0	169	237	133	539	0	335	979	125	1439	0	36	424	243	703	0	52	468	168	688	3369
05:00 PM	0	32	75	35	142	0	77	279	28	384	0	2	121	82	205	0	15	117	37	169	900
05:15 PM	0	32	76	31	139	0	80	235	37	352	0	4	121	53	178	0	11	140	37	188	857
05:30 PM	0	39	70	34	143	0	63	252	38	353	0	6	62	39	107	0	13	131	34	178	781
05:45 PM	0	39	67	45	151	0	76	274	37	387	0	13	63	47	123	0	11	153	38	202	863
Total	0	142	288	145	575	0	296	1040	140	1476	0	25	367	221	613	0	50	541	146	737	3401
Grand Total	0	1127	2171	1516	4814	0	1611	5725	943	8279	0	766	2497	1145	4408	0	562	6599	1626	8787	26288
Apprch %	0	23.4	45.1	31.5		0	19.5	69.2	11.4		0	17.4	56.6	26		0	6.4	75.1	18.5		
Total %	0	4.3	8.3	5.8	18.3	0	6.1	21.8	3.6	31.5	0	2.9	9.5	4.4	16.8	0	2.1	25.1	6.2	33.4	
Class 1	0	1097	2060	1460	4617	0	1562	5561	879	8002	0	706	2378	1082	4166	0	523	6398	1590	8511	25296
% Class 1	0	97.3	94.9	96.3	95.9	0	97	97.1	93.2	96.7	0	92.2	95.2	94.5	94.5	0	93.1	97	97.8	96.9	96.2
Class 2	0	30	111	56	197	0	49	164	64	277	0	60	119	63	242	0	39	201	36	276	992
% Class 2	0	2.7	5.1	3.7	4.1	0	3	2.9	6.8	3.3	0	7.8	4.8	5.5	5.5	0	6.9	3	2.2	3.1	3.8

711 TH 5 and TH 41  
 Ref.Pt: 40.422  
 data by: Alliant Inc  
 TURN MOVEMENT COUNT

File Name : 711\_TH 5 and TH 41  
 Site Code : 00000711  
 Start Date : 9/19/2018  
 Page No : 3

Start Time	TH 41 Southbound					TH 5 Westbound					TH 41 Northbound					TH 5 Eastbound					Int. Total
	Peds	Right	Thru	Left	App. Total	Peds	Right	Thru	Left	App. Total	Peds	Right	Thru	Left	App. Total	Peds	Right	Thru	Left	App. Total	
Peak Hour Analysis From 06:00 AM to 11:45 AM - Peak 1 of 1																					
Peak Hour for Entire Intersection Begins at 07:30 AM																					
07:30 AM	0	35	90	61	186	0	16	71	7	94	0	33	82	15	130	0	13	254	68	335	745
07:45 AM	0	25	70	69	164	0	26	84	16	126	0	19	71	15	105	0	16	312	50	378	773
08:00 AM	0	31	75	67	173	0	26	69	15	110	0	18	44	11	73	0	21	251	54	326	682
08:15 AM	0	21	69	52	142	0	25	77	16	118	0	17	73	10	100	0	9	286	64	359	719
Total Volume	0	112	304	249	665	0	93	301	54	448	0	87	270	51	408	0	59	1103	236	1398	2919
% App. Total	0	16.8	45.7	37.4		0	20.8	67.2	12.1		0	21.3	66.2	12.5		0	4.2	78.9	16.9		
PHF	.000	.800	.844	.902	.894	.000	.894	.896	.844	.889	.000	.659	.823	.850	.785	.000	.702	.884	.868	.925	.944



711 TH 5 and TH 41  
 Ref.Pt: 40.422  
 data by: Alliant Inc  
 TURN MOVEMENT COUNT

File Name : 711\_TH 5 and TH 41  
 Site Code : 00000711  
 Start Date : 9/19/2018  
 Page No : 4

Start Time	TH 41 Southbound					TH 5 Westbound					TH 41 Northbound					TH 5 Eastbound					Int. Total
	Peds	Right	Thru	Left	App. Total	Peds	Right	Thru	Left	App. Total	Peds	Right	Thru	Left	App. Total	Peds	Right	Thru	Left	App. Total	
Peak Hour Analysis From 12:00 PM to 05:45 PM - Peak 1 of 1																					
Peak Hour for Entire Intersection Begins at 04:15 PM																					
04:15 PM	0	41	69	37	147	0	63	239	35	337	0	6	119	78	203	0	8	121	42	171	858
04:30 PM	0	40	57	27	124	0	97	272	30	399	0	6	98	62	166	0	13	105	37	155	844
04:45 PM	0	39	63	41	143	0	99	215	30	344	0	15	107	43	165	0	19	122	46	187	839
05:00 PM	0	32	75	35	142	0	77	279	28	384	0	2	121	82	205	0	15	117	37	169	900
Total Volume	0	152	264	140	556	0	336	1005	123	1464	0	29	445	265	739	0	55	465	162	682	3441
% App. Total	0	27.3	47.5	25.2		0	23	68.6	8.4		0	3.9	60.2	35.9		0	8.1	68.2	23.8		
PHF	.000	.927	.880	.854	.946	.000	.848	.901	.879	.917	.000	.483	.919	.808	.901	.000	.724	.953	.880	.912	.956

