



MINNESOTA DEPT OF TRANSPORTATION

TRAFFIC DATA COLLECTION - METRO

TH-5 at TH-101 / Market Blvd (W jct)
 Ref.Pt.: 045.486
 Data by: Westwood Professional Services
 TURN MOVEMENT COUNT

File Name : TH-5 at TH-101 West jct 2008
 Site Code : 10052418
 Start Date : 9/18/2008
 Page No : 1

Groups Printed- Unshifted

Start Time	Market Blvd. Southbound				TH-5 Westbound				TH-101 / Great Plains Blvd Northbound				TH-5 Eastbound				Int. Total
	Left	Thru	Right	Peds	Left	Thru	Right	Peds	Left	Thru	Right	Peds	Left	Thru	Right	Peds	
06:00	21	8	1	0	8	99	7	0	3	6	8	0	3	205	10	0	379
06:15	13	14	1	0	14	125	12	0	4	16	17	0	6	250	10	0	482
06:30	21	19	1	0	19	115	7	0	8	19	17	0	10	300	22	0	558
06:45	29	25	4	0	26	158	14	0	10	31	27	0	7	338	20	0	689
Total	84	66	7	0	67	497	40	0	25	72	69	0	26	1093	62	0	2108
07:00	20	27	6	0	27	172	10	0	9	36	22	0	13	340	19	0	701
07:15	24	17	6	0	30	185	7	0	14	33	35	0	8	427	30	0	816
07:30	33	32	5	0	28	211	16	0	16	38	50	0	11	419	24	0	883
07:45	27	37	5	0	39	207	19	0	29	75	37	0	10	420	34	0	939
Total	104	113	22	0	124	775	52	0	68	182	144	0	42	1606	107	0	3339
08:00	26	38	2	0	39	199	18	0	26	65	37	0	13	380	21	0	864
08:15	29	29	5	0	19	206	18	0	18	47	27	0	9	271	14	0	692
08:30	23	43	8	0	27	180	19	0	14	33	28	0	13	272	30	0	690
08:45	26	40	3	0	35	234	25	0	38	53	29	1	17	220	44	0	765
Total	104	150	18	0	120	819	80	0	96	198	121	1	52	1143	109	0	3011
*** BREAK ***																	
11:00	20	34	5	0	27	175	34	0	12	41	18	0	22	203	22	0	613
11:15	26	34	10	0	13	191	31	0	7	43	26	0	23	214	33	0	651
11:30	32	31	17	0	20	162	53	0	20	54	29	0	33	225	24	0	700
11:45	33	60	15	0	21	211	45	0	22	51	18	0	34	185	20	0	715
Total	111	159	47	0	81	739	163	0	61	189	91	0	112	827	99	0	2679
12:00	43	53	13	0	14	182	52	0	16	58	18	0	35	217	14	0	715
12:15	56	54	27	0	19	192	52	0	18	54	20	0	52	209	19	0	772
12:30	57	54	44	0	24	162	37	0	31	46	24	0	24	191	16	0	710
12:45	38	64	36	0	33	195	33	0	22	39	25	0	24	189	21	0	719
Total	194	225	120	0	90	731	174	0	87	197	87	0	135	806	70	0	2916
*** BREAK ***																	
15:00	34	32	13	0	24	240	34	0	21	64	64	0	19	258	25	0	828
15:15	38	68	22	0	25	263	42	0	27	59	22	0	19	243	27	0	855
15:30	26	51	35	0	28	283	66	0	23	44	42	0	27	213	34	0	872
15:45	35	58	36	0	20	269	46	0	45	70	32	0	28	224	31	0	894
Total	133	209	106	0	97	1055	188	0	116	237	160	0	93	938	117	0	3449
16:00	38	59	29	0	27	297	49	0	33	55	36	0	24	229	38	0	914
16:15	39	60	24	0	31	307	65	0	34	70	26	0	24	220	29	0	929
16:30	30	83	32	0	34	336	64	0	21	72	38	0	34	257	32	0	1033
16:45	30	64	48	0	35	305	44	0	33	81	42	0	26	234	31	0	973
Total	137	266	133	0	127	1245	222	0	121	278	142	0	108	940	130	0	3849
17:00	40	67	27	0	31	347	56	0	44	74	58	0	37	255	23	0	1059
17:15	30	89	33	0	31	332	64	0	46	71	29	0	35	232	31	0	1023
17:30	47	79	47	0	38	353	50	0	42	73	39	0	29	195	36	0	1028
17:45	41	68	28	0	32	279	57	0	37	56	39	0	28	189	29	0	883
Total	158	303	135	0	132	1311	227	0	169	274	165	0	129	871	119	0	3993
Grand Total	1025	1491	588	0	838	7172	1146	0	743	1627	979	1	697	8224	813	0	25344
Apprch %	33	48	18.9	0	9.2	78.3	12.5	0	22.2	48.6	29.2	0	7.2	84.5	8.4	0	
Total %	4	5.9	2.3	0	3.3	28.3	4.5	0	2.9	6.4	3.9	0	2.8	32.4	3.2	0	



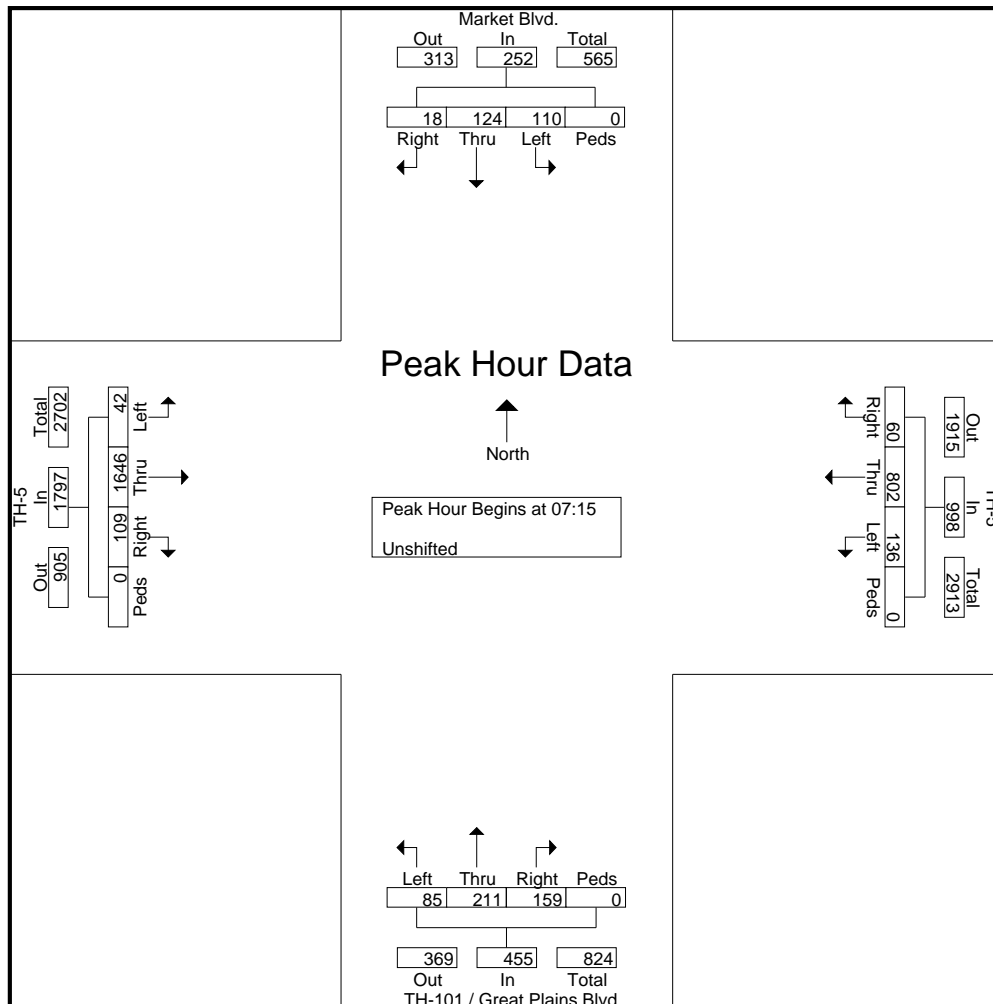
MINNESOTA DEPT OF TRANSPORTATION

TRAFFIC DATA COLLECTION - METRO

TH-5 at TH-101 / Market Blvd (W jct)
 Ref.Pt.: 045.486
 Data by: Westwood Professional Services
 TURN MOVEMENT COUNT

File Name : TH-5 at TH-101 West jct 2008
 Site Code : 10052418
 Start Date : 9/18/2008
 Page No : 2

Start Time	Market Blvd. Southbound					TH-5 Westbound					TH-101 / Great Plains Blvd Northbound					TH-5 Eastbound					Int. Total
	Left	Thru	Right	Peds	App. Total	Left	Thru	Right	Peds	App. Total	Left	Thru	Right	Peds	App. Total	Left	Thru	Right	Peds	App. Total	
Peak Hour Analysis From 06:00 to 08:45 - Peak 1 of 1																					
Peak Hour for Entire Intersection Begins at 07:15																					
07:15	24	17	6	0	47	30	185	7	0	222	14	33	35	0	82	8	427	30	0	465	816
07:30	33	32	5	0	70	28	211	16	0	255	16	38	50	0	104	11	419	24	0	454	883
07:45	27	37	5	0	69	39	207	19	0	265	29	75	37	0	141	10	420	34	0	464	939
08:00	26	38	2	0	66	39	199	18	0	256	26	65	37	0	128	13	380	21	0	414	864
Total Volume	110	124	18	0	252	136	802	60	0	998	85	211	159	0	455	42	1646	109	0	1797	3502
% App. Total	43.7	49.2	7.1	0		13.6	80.4	6	0		18.7	46.4	34.9	0		2.3	91.6	6.1	0		
PHF	.833	.816	.750	.000	.900	.872	.950	.789	.000	.942	.733	.703	.795	.000	.807	.808	.964	.801	.000	.966	.932





MINNESOTA DEPT OF TRANSPORTATION

TRAFFIC DATA COLLECTION - METRO

TH-5 at TH-101 / Market Blvd (W jct)
 Ref.Pt.: 045.486
 Data by: Westwood Professional Services
 TURN MOVEMENT COUNT

File Name : TH-5 at TH-101 West jct 2008
 Site Code : 10052418
 Start Date : 9/18/2008
 Page No : 3

Start Time	Market Blvd. Southbound					TH-5 Westbound					TH-101 / Great Plains Blvd Northbound					TH-5 Eastbound					Int. Total
	Left	Thru	Right	Peds	App. Total	Left	Thru	Right	Peds	App. Total	Left	Thru	Right	Peds	App. Total	Left	Thru	Right	Peds	App. Total	
16:30	30	83	32	0	145	34	336	64	0	434	21	72	38	0	131	34	257	32	0	323	1033
16:45	30	64	48	0	142	35	305	44	0	384	33	81	42	0	156	26	234	31	0	291	973
17:00	40	67	27	0	134	31	347	56	0	434	44	74	58	0	176	37	255	23	0	315	1059
17:15	30	89	33	0	152	31	332	64	0	427	46	71	29	0	146	35	232	31	0	298	1023
Total Volume	130	303	140	0	573	131	1320	228	0	1679	144	298	167	0	609	132	978	117	0	1227	4088
% App. Total	22.7	52.9	24.4	0		7.8	78.6	13.6	0		23.6	48.9	27.4	0		10.8	79.7	9.5	0		
PHF	.813	.851	.729	.000	.942	.936	.951	.891	.000	.967	.783	.920	.720	.000	.865	.892	.951	.914	.000	.950	.965

Peak Hour Analysis From 15:00 to 17:45 - Peak 1 of 1

Peak Hour for Entire Intersection Begins at 16:30

