



701 Xenia Ave S, Suite 300  
 Minneapolis, MN 55416

TH 5 & Watson Ave  
 7-9am & 4-6pm  
 vehicles, heavy trucks, bikes, peds  
 day 2

File Name : site 30-TH 5 & Watson Ave-day 2  
 Site Code : 30  
 Start Date : 3/23/2022  
 Page No : 1

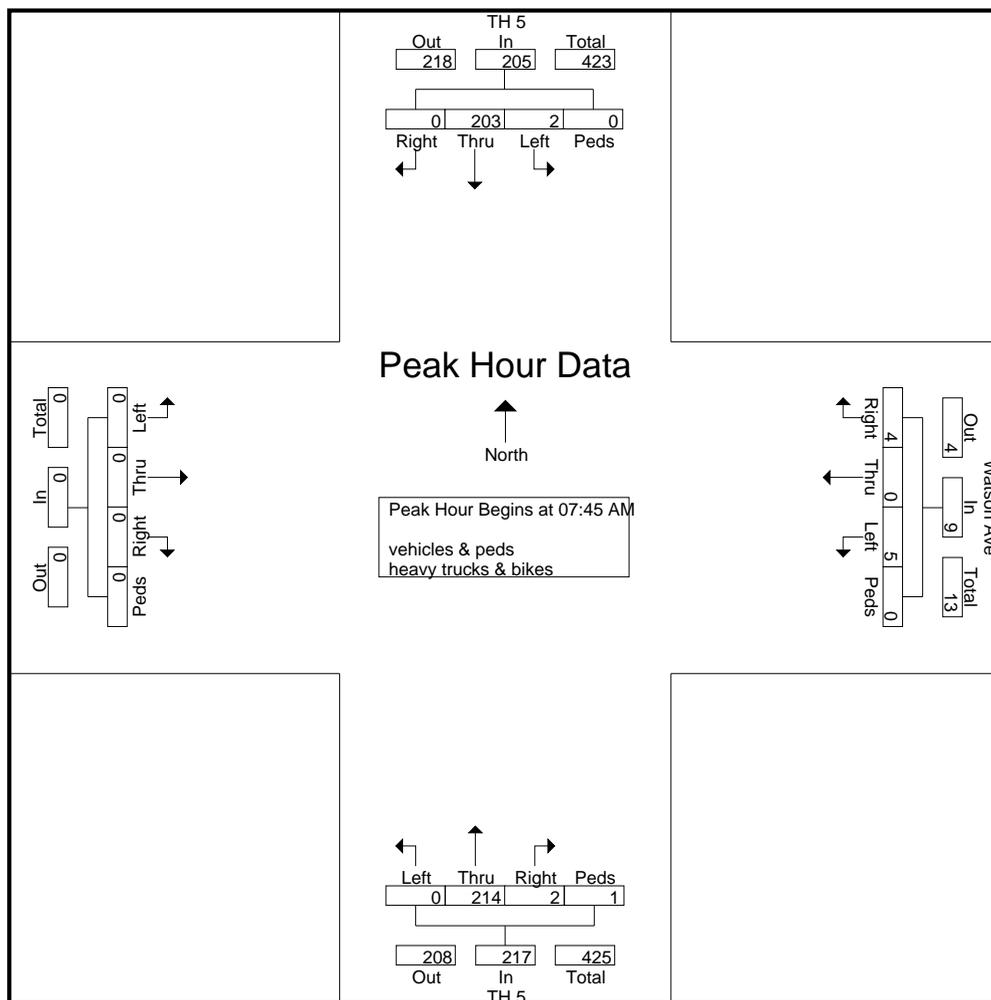
Groups Printed- vehicles & peds - heavy trucks & bikes

Start Time	TH 5 From North					Watson Ave From East					TH 5 From South					From West					Int. Total
	Right	Thru	Left	Peds	App. Total	Right	Thru	Left	Peds	App. Total	Right	Thru	Left	Peds	App. Total	Right	Thru	Left	Peds	App. Total	
07:00 AM	0	18	1	0	19	1	0	0	0	1	1	37	0	1	39	0	0	0	0	0	59
07:15 AM	0	41	0	1	42	0	0	2	0	2	1	37	0	1	39	0	0	0	0	0	83
07:30 AM	0	37	0	1	38	2	0	1	1	4	2	46	0	1	49	0	0	0	0	0	91
07:45 AM	0	59	0	0	59	2	0	1	0	3	1	56	0	0	57	0	0	0	0	0	119
Total	0	155	1	2	158	5	0	4	1	10	5	176	0	3	184	0	0	0	0	0	352
08:00 AM	0	58	0	0	58	0	0	2	0	2	0	50	0	1	51	0	0	0	0	0	111
08:15 AM	0	40	1	0	41	2	0	0	0	2	1	54	0	0	55	0	0	0	0	0	98
08:30 AM	0	46	1	0	47	0	0	2	0	2	0	54	0	0	54	0	0	0	0	0	103
08:45 AM	0	33	2	0	35	0	0	0	0	0	3	56	0	1	60	0	0	0	0	0	95
Total	0	177	4	0	181	2	0	4	0	6	4	214	0	2	220	0	0	0	0	0	407
04:00 PM	0	74	2	0	76	0	0	2	0	2	2	74	0	2	78	0	0	0	0	0	156
04:15 PM	0	73	0	1	74	0	0	1	1	2	1	81	0	2	84	0	0	0	0	0	160
04:30 PM	0	83	0	1	84	0	0	0	0	0	2	83	0	1	86	0	0	0	0	0	170
04:45 PM	0	95	1	0	96	0	0	6	0	6	6	81	0	1	88	0	0	0	0	0	190
Total	0	325	3	2	330	0	0	9	1	10	11	319	0	6	336	0	0	0	0	0	676
05:00 PM	0	79	2	1	82	3	0	2	0	5	1	99	0	1	101	0	0	0	0	0	188
05:15 PM	0	81	0	0	81	0	0	1	0	1	2	80	0	0	82	0	0	0	0	0	164
05:30 PM	0	52	3	1	56	2	0	0	0	2	1	102	0	2	105	0	0	0	0	0	163
05:45 PM	0	59	2	0	61	0	0	0	1	1	1	83	0	3	87	0	0	0	0	0	149
Total	0	271	7	2	280	5	0	3	1	9	5	364	0	6	375	0	0	0	0	0	664
Grand Total	0	928	15	6	949	12	0	20	3	35	25	1073	0	17	1115	0	0	0	0	0	2099
Apprch %	0	97.8	1.6	0.6		34.3	0	57.1	8.6		2.2	96.2	0	1.5		0	0	0	0		
Total %	0	44.2	0.7	0.3	45.2	0.6	0	1	0.1	1.7	1.2	51.1	0	0.8	53.1	0	0	0	0	0	
vehicles & peds	0	924	15	6	945	12	0	20	3	35	25	1067	0	17	1109	0	0	0	0	0	2089
% vehicles & peds	0	99.6	100	100	99.6	100	0	100	100	100	100	99.4	0	100	99.5	0	0	0	0	0	99.5
heavy trucks & bikes	0	4	0	0	4	0	0	0	0	0	0	6	0	0	6	0	0	0	0	0	10
% heavy trucks & bikes	0	0.4	0	0	0.4	0	0	0	0	0	0	0.6	0	0	0.5	0	0	0	0	0	0.5

TH 5 & Watson Ave  
7-9am & 4-6pm  
vehicles, heavy trucks, bikes, peds  
day 2

File Name : site 30-TH 5 & Watson Ave-day 2  
Site Code : 30  
Start Date : 3/23/2022  
Page No : 2

Start Time	TH 5 From North					Watson Ave From East					TH 5 From South					From West					Int. Total
	Rig ht	Thr u	Left	Ped s	App. Total	Rig ht	Thr u	Left	Ped s	App. Total	Rig ht	Thr u	Left	Ped s	App. Total	Rig ht	Thr u	Left	Ped s	App. Total	
Peak Hour Analysis From 07:00 AM to 11:45 AM - Peak 1 of 1																					
Peak Hour for Entire Intersection Begins at 07:45 AM																					
07:45 AM	0	59	0	0	59	2	0	1	0	3	1	56	0	0	57	0	0	0	0	0	119
08:00 AM	0	58	0	0	58	0	0	2	0	2	0	50	0	1	51	0	0	0	0	0	111
08:15 AM	0	40	1	0	41	2	0	0	0	2	1	54	0	0	55	0	0	0	0	0	98
08:30 AM	0	46	1	0	47	0	0	2	0	2	0	54	0	0	54	0	0	0	0	0	103
Total Volume	0	203	2	0	205	4	0	5	0	9	2	214	0	1	217	0	0	0	0	0	431
% App. Total	0	.99	.01	0		44.4	0	55.6	0		0.9	98.6	0	0.5		0	0	0	0		
PHF	.000	.860	.500	.000	.869	.500	.000	.625	.000	.750	.500	.955	.000	.250	.952	.000	.000	.000	.000	.000	.905



TH 5 & Watson Ave  
 7-9am & 4-6pm  
 vehicles, heavy trucks, bikes, peds  
 day 2

File Name : site 30-TH 5 & Watson Ave-day 2  
 Site Code : 30  
 Start Date : 3/23/2022  
 Page No : 3

Start Time	TH 5 From North					Watson Ave From East					TH 5 From South					From West					Int. Total
	Rig ht	Thr u	Left	Ped s	App. Total	Rig ht	Thr u	Left	Ped s	App. Total	Right	Thr u	Left	Peds	App. Total	Right	Thr u	Left	Peds	App. Total	
Peak Hour Analysis From 12:00 PM to 05:45 PM - Peak 1 of 1																					
Peak Hour for Entire Intersection Begins at 04:30 PM																					
04:30 PM	0	83	0	1	84	0	0	0	0	0	2	83	0	1	86	0	0	0	0	0	170
04:45 PM	0	<b>95</b>	1	0	<b>96</b>	0	0	<b>6</b>	0	<b>6</b>	<b>6</b>	81	0	1	<b>88</b>	0	0	0	0	0	<b>190</b>
05:00 PM	0	79	2	1	82	3	0	2	0	5	1	<b>99</b>	0	1	<b>101</b>	0	0	0	0	0	188
05:15 PM	0	81	0	0	81	0	0	1	0	1	2	80	0	0	82	0	0	0	0	0	164
Total Volume	0	338	3	2	343	3	0	9	0	12	11	343	0	3	357	0	0	0	0	0	712
% App. Total	0	98.5	0.9	0.6		25	0	75	0		3.1	96.1	0	0.8		0	0	0	0		
PHF	.000	.889	.375	.500	.893	.250	.000	.375	.000	.500	.458	.866	.000	.750	.884	.000	.000	.000	.000	.000	.937

