



701 Xenia Ave S, Suite 300
 Minneapolis, MN 55416

TH 5 & St Clair Ave
 7-9am & 4-6pm
 vehicles, heavy trucks, peds
 day 2

File Name : site 40-TH 5 & St Clair Ave-day 2
 Site Code : 40
 Start Date : 3/31/2022
 Page No : 1

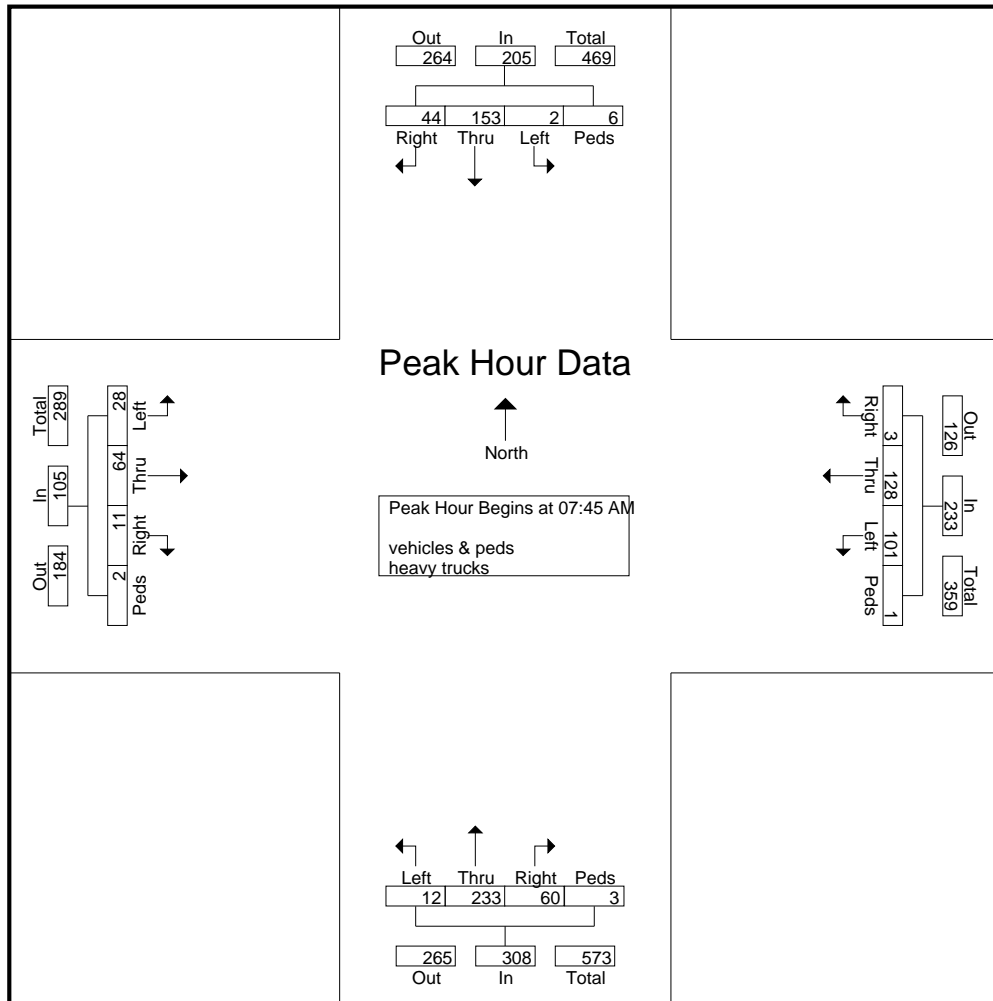
Groups Printed- vehicles & peds - heavy trucks

Start Time	From North					From East					From South					From West					Int. Total
	Right	Thru	Left	Peds	App. Total	Right	Thru	Left	Peds	App. Total	Right	Thru	Left	Peds	App. Total	Right	Thru	Left	Peds	App. Total	
07:00 AM	1	23	1	0	25	0	23	8	0	31	4	37	0	2	43	2	7	7	0	16	115
07:15 AM	5	22	0	2	29	2	30	20	2	54	7	38	1	1	47	3	5	3	0	11	141
07:30 AM	12	39	1	0	52	0	32	13	0	45	13	49	0	3	65	5	9	5	1	20	182
07:45 AM	14	34	1	2	51	1	28	23	0	52	13	61	3	1	78	5	16	8	0	29	210
Total	32	118	3	4	157	3	113	64	2	182	37	185	4	7	233	15	37	23	1	76	648
08:00 AM	8	44	0	0	52	1	39	30	1	71	17	54	0	0	71	2	18	10	0	30	224
08:15 AM	10	28	1	1	40	0	39	21	0	60	12	60	6	1	79	3	15	5	1	24	203
08:30 AM	12	47	0	3	62	1	22	27	0	50	18	58	3	1	80	1	15	5	1	22	214
08:45 AM	7	45	1	0	53	1	34	20	0	55	11	58	1	0	70	5	16	7	1	29	207
Total	37	164	2	4	207	3	134	98	1	236	58	230	10	2	300	11	64	27	3	105	848
04:00 PM	12	76	4	0	92	4	22	26	2	54	29	76	5	3	113	2	29	13	1	45	304
04:15 PM	14	57	2	1	74	3	21	21	1	46	20	94	4	2	120	4	47	32	0	83	323
04:30 PM	20	84	5	6	115	3	27	20	3	53	28	87	6	3	124	7	23	15	4	49	341
04:45 PM	16	69	5	0	90	5	25	19	1	50	34	76	10	2	122	2	36	22	1	61	323
Total	62	286	16	7	371	15	95	86	7	203	111	333	25	10	479	15	135	82	6	238	1291
05:00 PM	18	65	1	1	85	3	38	29	2	72	28	94	7	3	132	6	24	25	0	55	344
05:15 PM	10	66	3	2	81	1	40	23	1	65	20	87	9	0	116	5	30	27	0	62	324
05:30 PM	17	55	4	3	79	3	34	22	0	59	16	94	7	3	120	2	19	23	0	44	302
05:45 PM	16	51	3	3	73	3	31	19	2	55	20	91	8	0	119	8	20	32	1	61	308
Total	61	237	11	9	318	10	143	93	5	251	84	366	31	6	487	21	93	107	1	222	1278
Grand Total	192	805	32	24	1053	31	485	341	15	872	290	1114	70	25	1499	62	329	239	11	641	4065
Apprch %	18.2	76.4	3	2.3		3.6	55.6	39.1	1.7		19.3	74.3	4.7	1.7		9.7	51.3	37.3	1.7		
Total %	4.7	19.8	0.8	0.6	25.9	0.8	11.9	8.4	0.4	21.5	7.1	27.4	1.7	0.6	36.9	1.5	8.1	5.9	0.3	15.8	
vehicles & peds	192	802	32	24	1050	31	485	341	14	871	290	1102	70	25	1487	62	329	239	11	641	4049
% vehicles & peds	100	99.6	100	100	99.7	100	100	100	93.3	99.9	100	98.9	100	100	99.2	100	100	100	100	100	99.6
heavy trucks	0	3	0	0	3	0	0	0	1	1	0	12	0	0	12	0	0	0	0	0	16
% heavy trucks	0	0.4	0	0	0.3	0	0	0	6.7	0.1	0	1.1	0	0	0.8	0	0	0	0	0	0.4

TH 5 & St Clair Ave
 7-9am & 4-6pm
 vehicles, heavy trucks, peds
 day 2

File Name : site 40-TH 5 & St Clair Ave-day 2
 Site Code : 40
 Start Date : 3/31/2022
 Page No : 2

Start Time	From North					From East					From South					From West					Int. Total
	Right	Thru	Left	Peds	App. Total	Right	Thru	Left	Peds	App. Total	Right	Thru	Left	Peds	App. Total	Right	Thru	Left	Peds	App. Total	
Peak Hour Analysis From 07:00 AM to 11:45 AM - Peak 1 of 1																					
Peak Hour for Entire Intersection Begins at 07:45 AM																					
07:45 AM	14	34	1	2	51	1	28	23	0	52	13	61	3	1	78	5	16	8	0	29	210
08:00 AM	8	44	0	0	52	1	39	30	1	71	17	54	0	0	71	2	18	10	0	30	224
08:15 AM	10	28	1	1	40	0	39	21	0	60	12	60	6	1	79	3	15	5	1	24	203
08:30 AM	12	47	0	3	62	1	22	27	0	50	18	58	3	1	80	1	15	5	1	22	214
Total Volume	44	153	2	6	205	3	128	101	1	233	60	233	12	3	308	11	64	28	2	105	851
% App. Total	21.5	74.6	1	2.9		1.3	54.9	43.3	0.4		19.5	75.6	3.9	1		10.5	61	26.7	1.9		
PHF	.786	.814	.500	.500	.827	.750	.821	.842	.250	.820	.833	.955	.500	.750	.963	.550	.889	.700	.500	.875	.950



TH 5 & St Clair Ave
7-9am & 4-6pm
vehicles, heavy trucks, peds
day 2

File Name : site 40-TH 5 & St Clair Ave-day 2
Site Code : 40
Start Date : 3/31/2022
Page No : 3

Start Time	From North					From East					From South					From West					Int. Total
	Rig ht	Thr u	Left	Ped s	App. Total	Rig ht	Thr u	Left	Ped s	App. Total	Right	Thr u	Left	Peds	App. Total	Right	Thr u	Left	Peds	App. Total	
Peak Hour Analysis From 12:00 PM to 05:45 PM - Peak 1 of 1																					
Peak Hour for Entire Intersection Begins at 04:30 PM																					
04:30 PM	20	84	5	6	115	3	27	20	3	53	28	87	6	3	124	7	23	15	4	49	341
04:45 PM	16	69	5	0	90	5	25	19	1	50	34	76	10	2	122	2	36	22	1	61	323
05:00 PM	18	65	1	1	85	3	38	29	2	72	28	94	7	3	132	6	24	25	0	55	344
05:15 PM	10	66	3	2	81	1	40	23	1	65	20	87	9	0	116	5	30	27	0	62	324
Total Volume	64	284	14	9	371	12	130	91	7	240	110	344	32	8	494	20	113	89	5	227	1332
% App. Total	17.3	76.5	3.8	2.4		5	54.2	37.9	2.9		22.3	69.6	6.5	1.6		8.8	49.8	39.2	2.2		
PHF	.800	.845	.700	.375	.807	.600	.813	.784	.583	.833	.809	.915	.800	.667	.936	.714	.785	.824	.313	.915	.968

