



701 Xenia Ave S, Suite 300
 Minneapolis, MN 55416

TH 5 & Grand Ave
 7-9am & 4-6pm
 vehicles, heavy trucks, peds
 day 1

File Name : site 51-TH 5 & Grand Ave-day 1
 Site Code : 51
 Start Date : 4/5/2022
 Page No : 1

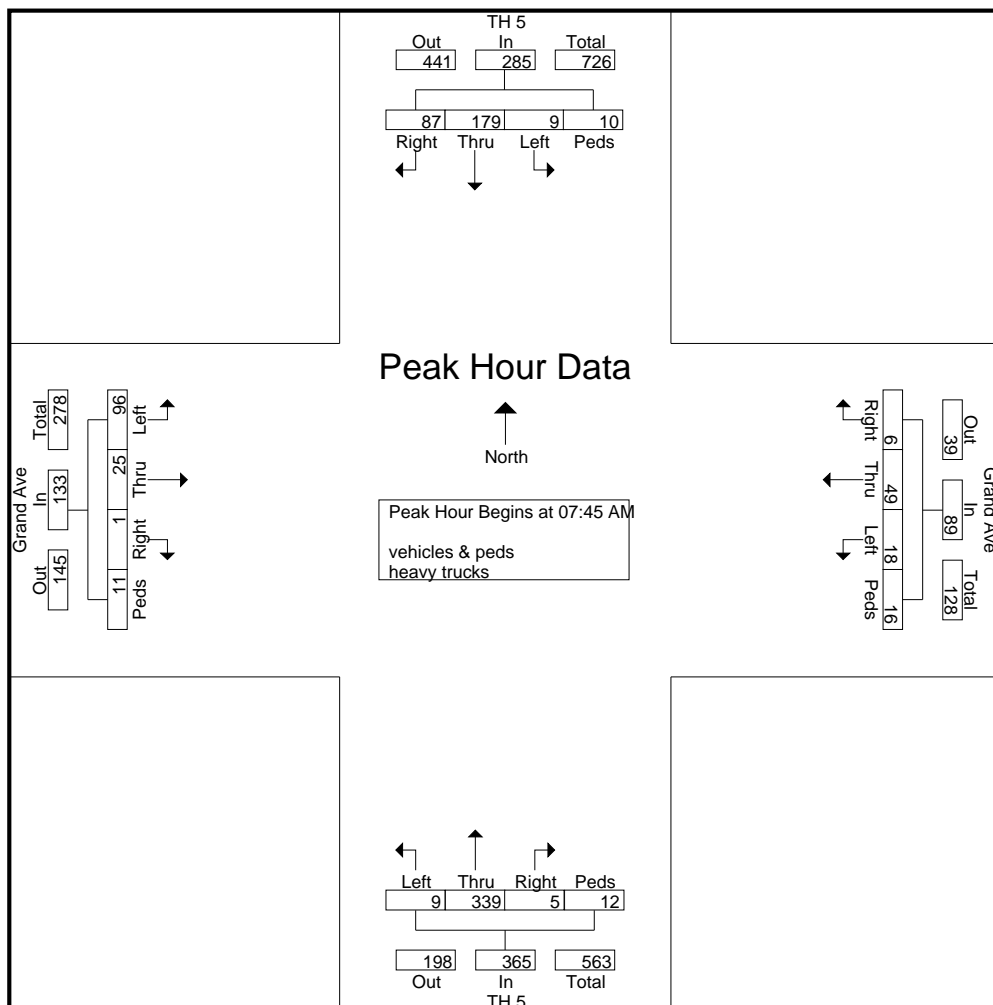
Groups Printed- vehicles & peds - heavy trucks

Start Time	TH 5 From North					Grand Ave From East					TH 5 From South					Grand Ave From West					Int. Total
	Right	Thru	Left	Peds	App. Total	Right	Thru	Left	Peds	App. Total	Right	Thru	Left	Peds	App. Total	Right	Thru	Left	Peds	App. Total	
07:00 AM	14	27	1	0	42	1	5	1	3	10	0	70	0	0	70	0	2	16	0	18	140
07:15 AM	20	24	0	4	48	1	16	1	2	20	0	75	0	0	75	0	5	13	0	18	161
07:30 AM	24	44	1	5	74	1	13	3	2	19	2	82	2	1	87	1	6	19	0	26	206
07:45 AM	22	43	5	4	74	2	15	6	6	29	1	97	3	3	104	1	6	27	1	35	242
Total	80	138	7	13	238	5	49	11	13	78	3	324	5	4	336	2	19	75	1	97	749
08:00 AM	25	40	1	2	68	2	16	3	2	23	2	69	1	4	76	0	8	15	2	25	192
08:15 AM	19	49	2	3	73	2	11	3	5	21	0	80	1	1	82	0	3	31	4	38	214
08:30 AM	21	47	1	1	70	0	7	6	3	16	2	93	4	4	103	0	8	23	4	35	224
08:45 AM	17	44	2	2	65	4	11	2	5	22	4	62	2	7	75	13	11	26	2	52	214
Total	82	180	6	8	276	8	45	14	15	82	8	304	8	16	336	13	30	95	12	150	844
04:00 PM	21	71	2	0	94	3	11	1	4	19	2	59	2	1	64	2	12	24	3	41	218
04:15 PM	35	76	3	0	114	1	9	2	4	16	0	68	1	0	69	3	12	14	4	33	232
04:30 PM	36	93	2	1	132	9	10	7	6	32	1	62	0	0	63	4	14	24	2	44	271
04:45 PM	37	101	3	2	143	3	10	3	5	21	2	92	3	3	100	0	15	27	2	44	308
Total	129	341	10	3	483	16	40	13	19	88	5	281	6	4	296	9	53	89	11	162	1029
05:00 PM	27	95	2	1	125	3	16	4	1	24	3	75	1	1	80	3	18	20	1	42	271
05:15 PM	34	83	3	4	124	1	7	7	1	16	4	67	3	1	75	0	13	22	3	38	253
05:30 PM	25	74	2	2	103	3	8	3	4	18	1	67	0	0	68	2	12	26	1	41	230
05:45 PM	29	73	4	0	106	1	8	6	2	17	1	69	1	0	71	1	5	27	3	36	230
Total	115	325	11	7	458	8	39	20	8	75	9	278	5	2	294	6	48	95	8	157	984
Grand Total	406	984	34	31	1455	37	173	58	55	323	25	1187	24	26	1262	30	150	354	32	566	3606
Apprch %	27.9	67.6	2.3	2.1		11.5	53.6	18	17		2	94.1	1.9	2.1		5.3	26.5	62.5	5.7		
Total %	11.3	27.3	0.9	0.9	40.3	1	4.8	1.6	1.5	9	0.7	32.9	0.7	0.7	35	0.8	4.2	9.8	0.9	15.7	
vehicles & peds	404	978	34	29	1445	37	173	58	53	321	24	1167	24	26	1241	30	150	352	31	563	3570
% vehicles & peds	99.5	99.4	100	93.5	99.3	100	100	100	96.4	99.4	96	98.3	100	100	98.3	100	100	99.4	96.9	99.5	99
heavy trucks	2	6	0	2	10	0	0	0	2	2	1	20	0	0	21	0	0	2	1	3	36
% heavy trucks	0.5	0.6	0	6.5	0.7	0	0	0	3.6	0.6	4	1.7	0	0	1.7	0	0	0.6	3.1	0.5	1

TH 5 & Grand Ave
 7-9am & 4-6pm
 vehicles, heavy trucks, peds
 day 1

File Name : site 51-TH 5 & Grand Ave-day 1
 Site Code : 51
 Start Date : 4/5/2022
 Page No : 2

Start Time	TH 5 From North					Grand Ave From East					TH 5 From South					Grand Ave From West					Int. Total
	Right	Thru	Left	Peds	App. Total	Right	Thru	Left	Peds	App. Total	Right	Thru	Left	Peds	App. Total	Right	Thru	Left	Peds	App. Total	
Peak Hour Analysis From 07:00 AM to 11:45 AM - Peak 1 of 1																					
Peak Hour for Entire Intersection Begins at 07:45 AM																					
07:45 AM	22	43	5	4	74	2	15	6	6	29	1	97	3	3	104	1	6	27	1	35	242
08:00 AM	25	40	1	2	68	2	16	3	2	23	2	69	1	4	76	0	8	15	2	25	192
08:15 AM	19	49	2	3	73	2	11	3	5	21	0	80	1	1	82	0	3	31	4	38	214
08:30 AM	21	47	1	1	70	0	7	6	3	16	2	93	4	4	103	0	8	23	4	35	224
Total Volume	87	179	9	10	285	6	49	18	16	89	5	339	9	12	365	1	25	96	11	133	872
% App. Total	30.5	62.8	3.2	3.5		6.7	55.1	20.2	18		1.4	92.9	2.5	3.3		0.8	18.8	72.2	8.3		
PHF	.870	.913	.450	.625	.963	.750	.766	.750	.667	.767	.625	.874	.563	.750	.877	.250	.781	.774	.688	.875	.901



TH 5 & Grand Ave
7-9am & 4-6pm
vehicles, heavy trucks, peds
day 1

File Name : site 51-TH 5 & Grand Ave-day 1
Site Code : 51
Start Date : 4/5/2022
Page No : 3

Start Time	TH 5 From North					Grand Ave From East					TH 5 From South					Grand Ave From West					Int. Total
	Rig ht	Thr u	Left	Ped s	App. Total	Rig ht	Thr u	Left	Ped s	App. Total	Right	Thr u	Left	Peds	App. Total	Right	Thr u	Left	Peds	App. Total	
Peak Hour Analysis From 12:00 PM to 05:45 PM - Peak 1 of 1																					
Peak Hour for Entire Intersection Begins at 04:30 PM																					
04:30 PM	36	93	2	1	132	9	10	7	6	32	1	62	0	0	63	4	14	24	2	44	271
04:45 PM	37	101	3	2	143	3	10	3	5	21	2	92	3	3	100	0	15	27	2	44	308
05:00 PM	27	95	2	1	125	3	16	4	1	24	3	75	1	1	80	3	18	20	1	42	271
05:15 PM	34	83	3	4	124	1	7	7	1	16	4	67	3	1	75	0	13	22	3	38	253
Total Volume	134	372	10	8	524	16	43	21	13	93	10	296	7	5	318	7	60	93	8	168	1103
% App. Total	25.6	71	1.9	1.5		17.2	46.2	22.6	14		3.1	93.1	2.2	1.6		4.2	35.7	55.4	4.8		
PHF	.905	.921	.833	.500	.916	.444	.672	.750	.542	.727	.625	.804	.583	.417	.795	.438	.833	.861	.667	.955	.895

