

MN Dept of Transportation

TRAFFIC DATA COLLECTION - Metro

TH-55 at Willow Drive MEDINA
 Ref.Pt.: 173.120
 video RE
 TURN MOVEMENT COUNT

File Name : TH-55 at Willow Dr MEDINA 2015
 Site Code :
 Start Date : 10/21/2015
 Page No : 1

Groups Printed- Cars +

Start Time	Willow Drive Southbound				TH-55 Westbound				Willow Drive Northbound				TH-55 Eastbound				Int. Total
	Left	Thru	Right	Peds	Left	Thru	Right	Peds	Left	Thru	Right	Peds	Left	Thru	Right	Peds	
06:00	4	0	1	0	3	19	3	0	0	0	0	0	0	246	1	0	277
06:15	6	1	0	0	6	38	5	0	0	0	0	0	7	338	1	0	402
06:30	3	1	2	0	3	42	15	0	0	1	1	0	12	423	8	0	511
06:45	12	2	2	0	4	52	8	0	0	1	1	0	12	331	13	0	438
Total	25	4	5	0	16	151	31	0	0	2	2	0	31	1338	23	0	1628
07:00	10	3	10	0	7	57	3	0	2	1	2	0	11	342	4	0	452
07:15	14	1	1	0	8	52	4	0	0	1	1	0	7	300	4	0	393
07:30	6	3	2	0	12	59	3	0	0	1	3	0	7	264	6	0	366
07:45	11	2	4	0	7	38	5	0	2	2	1	0	23	244	4	0	343
Total	41	9	17	0	34	206	15	0	4	5	7	0	48	1150	18	0	1554
08:00	8	2	1	0	7	57	4	0	0	4	5	0	11	234	9	0	342
08:15	9	1	5	0	8	54	2	0	3	1	4	0	10	207	6	0	310
08:30	3	0	1	0	5	56	1	0	0	3	1	0	6	191	3	0	270
08:45	6	1	1	0	5	71	1	0	0	0	1	0	3	171	3	0	263
Total	26	4	8	0	25	238	8	0	3	8	11	0	30	803	21	0	1185
***** BREAK *****																	
11:00	14	1	2	0	5	64	3	0	1	1	5	0	1	91	1	0	189
11:15	16	1	2	0	3	70	4	0	3	1	5	0	2	80	2	0	189
11:30	10	2	2	0	5	83	3	0	1	0	11	0	1	78	2	0	198
11:45	11	0	1	0	6	78	6	0	0	0	8	0	1	79	2	0	192
Total	51	4	7	0	19	295	16	0	5	2	29	0	5	328	7	0	768
12:00	17	2	7	0	6	92	7	0	3	0	7	0	4	88	1	0	234
12:15	15	0	3	0	6	100	6	0	3	0	6	0	1	86	3	0	229
12:30	6	0	4	0	7	95	8	0	0	0	4	0	3	74	2	0	203
12:45	13	0	0	0	4	102	7	0	0	0	2	0	3	89	3	0	223
Total	51	2	14	0	23	389	28	0	6	0	19	0	11	337	9	0	889
***** BREAK *****																	
15:00	30	1	17	0	6	219	5	0	4	1	9	0	2	88	1	0	383
15:15	10	1	8	0	6	215	3	0	4	2	11	0	1	92	1	0	354
15:30	6	0	3	0	4	237	6	0	10	3	6	0	1	79	2	0	357
15:45	11	1	1	0	3	291	1	0	5	3	13	0	2	99	0	0	430
Total	57	3	29	0	19	962	15	0	23	9	39	0	6	358	4	0	1524
16:00	18	1	8	0	1	288	7	0	10	0	7	0	1	87	0	0	428
16:15	7	2	4	0	3	294	3	0	4	1	10	0	3	93	0	0	424
16:30	38	2	8	0	4	282	4	0	13	3	13	0	1	78	1	0	447
16:45	26	1	5	0	0	323	2	0	3	0	6	0	1	108	0	0	475
Total	89	6	25	0	8	1187	16	0	30	4	36	0	6	366	1	0	1774
17:00	33	4	12	0	1	269	7	0	5	2	9	0	1	99	0	0	442
17:15	34	1	5	0	2	267	4	0	2	1	8	0	1	107	0	0	432
17:30	21	1	8	0	2	269	2	0	2	2	5	0	2	77	1	0	392
17:45	21	3	10	0	1	189	3	0	1	4	7	0	1	74	1	0	315
Total	109	9	35	0	6	994	16	0	10	9	29	0	5	357	2	0	1581
Grand Total	449	41	140	0	150	4422	145	0	81	39	172	0	142	5037	85	0	10903
Apprch %	71.3	6.5	22.2	0	3.2	93.7	3.1	0	27.7	13.4	58.9	0	2.7	95.7	1.6	0	
Total %	4.1	0.4	1.3	0	1.4	40.6	1.3	0	0.7	0.4	1.6	0	1.3	46.2	0.8	0	

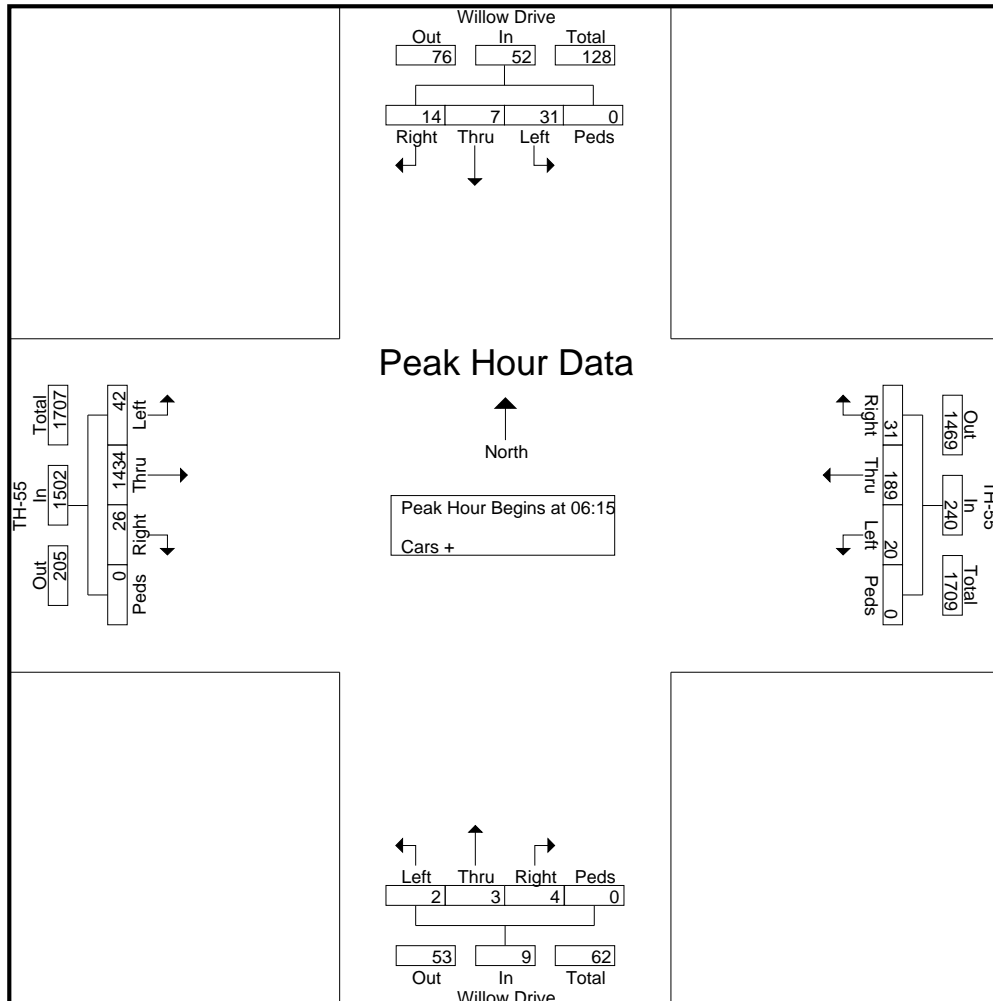
MN Dept of Transportation

TRAFFIC DATA COLLECTION - Metro

TH-55 at Willow Drive MEDINA
 Ref.Pt.: 173.120
 video RE
 TURN MOVEMENT COUNT

File Name : TH-55 at Willow Dr MEDINA 2015
 Site Code :
 Start Date : 10/21/2015
 Page No : 2

Start Time	Willow Drive Southbound					TH-55 Westbound					Willow Drive Northbound					TH-55 Eastbound					Int. Total
	Left	Thru	Right	Peds	App. Total	Left	Thru	Right	Peds	App. Total	Left	Thru	Right	Peds	App. Total	Left	Thru	Right	Peds	App. Total	
Peak Hour Analysis From 06:00 to 08:45 - Peak 1 of 1																					
Peak Hour for Entire Intersection Begins at 06:15																					
06:15	6	1	0	0	7	6	38	5	0	49	0	0	0	0	0	7	338	1	0	346	402
06:30	3	1	2	0	6	3	42	15	0	60	0	1	1	0	2	12	423	8	0	443	511
06:45	12	2	2	0	16	4	52	8	0	64	0	1	1	0	2	12	331	13	0	356	438
07:00	10	3	10	0	23	7	57	3	0	67	2	1	2	0	5	11	342	4	0	357	452
Total Volume	31	7	14	0	52	20	189	31	0	240	2	3	4	0	9	42	1434	26	0	1502	1803
% App. Total	59.6	13.5	26.9	0		8.3	78.8	12.9	0		22.2	33.3	44.4	0		2.8	95.5	1.7	0		
PHF	.646	.583	.350	.000	.565	.714	.829	.517	.000	.896	.250	.750	.500	.000	.450	.875	.848	.500	.000	.848	.882



MN Dept of Transportation

TRAFFIC DATA COLLECTION - Metro

TH-55 at Willow Drive MEDINA
 Ref.Pt.: 173.120
 video RE
 TURN MOVEMENT COUNT

File Name : TH-55 at Willow Dr MEDINA 2015
 Site Code :
 Start Date : 10/21/2015
 Page No : 3

Start Time	Willow Drive Southbound					TH-55 Westbound					Willow Drive Northbound					TH-55 Eastbound					Int. Total
	Left	Thru	Right	Peds	App. Total	Left	Thru	Right	Peds	App. Total	Left	Thru	Right	Peds	App. Total	Left	Thru	Right	Peds	App. Total	
Peak Hour Analysis From 15:00 to 17:45 - Peak 1 of 1																					
Peak Hour for Entire Intersection Begins at 16:30																					
16:30	38	2	8	0	48	4	282	4	0	290	13	3	13	0	29	1	78	1	0	80	447
16:45	26	1	5	0	32	0	323	2	0	325	3	0	6	0	9	1	108	0	0	109	475
17:00	33	4	12	0	49	1	269	7	0	277	5	2	9	0	16	1	99	0	0	100	442
17:15	34	1	5	0	40	2	267	4	0	273	2	1	8	0	11	1	107	0	0	108	432
Total Volume	131	8	30	0	169	7	1141	17	0	1165	23	6	36	0	65	4	392	1	0	397	1796
% App. Total	77.5	4.7	17.8	0		0.6	97.9	1.5	0		35.4	9.2	55.4	0		1	98.7	0.3	0		
PHF	.862	.500	.625	.000	.862	.438	.883	.607	.000	.896	.442	.500	.692	.000	.560	1.000	.907	.250	.000	.911	.945

