



MINNESOTA DEPT OF TRANSPORTATION

TRAFFIC COLLECTION - METRO

Location: TH 110 AT LEXINGTON AVE

REF.PT: 000+01.088

JAMAR#632\DR

TURN MOVEMENT COUNT

File Name : THCDF3~1

Site Code : 00000000

Start Date : 3/1/2006

Page No : 1

Groups Printed- Cars & Trucks

Start Time	LEXINGTON AVE Southbound				TH 110 Westbound				LEXINGTON AVE Northbound				TH 110 Eastbound				Int. Total
	Right	Thru	Left	Peds	Right	Thru	Left	Peds	Right	Thru	Left	Peds	Right	Thru	Left	Peds	
06:00	9	6	4	0	1	123	27	0	3	2	8	0	9	52	0	0	244
06:15	8	7	2	0	5	158	33	0	12	3	11	0	3	57	2	0	301
06:30	9	10	4	0	2	202	39	0	21	9	16	0	12	72	5	0	401
06:45	28	10	11	0	8	218	67	0	30	12	26	0	13	80	2	0	505
Total	54	33	21	0	16	701	166	0	66	26	61	0	37	261	9	0	1451
07:00	26	13	17	0	7	247	62	0	33	8	10	0	17	82	4	0	526
07:15	33	32	21	0	15	311	89	0	30	8	24	0	19	93	11	0	686
07:30	39	30	18	0	23	304	105	0	29	18	22	0	19	87	6	0	700
07:45	35	41	18	0	19	253	125	0	23	22	22	0	29	140	4	0	731
Total	133	116	74	0	64	1115	381	0	115	56	78	0	84	402	25	0	2643
08:00	28	21	19	0	18	238	86	0	23	15	14	0	20	109	11	0	602
08:15	23	23	15	0	18	188	76	0	22	14	10	0	10	134	5	0	538
08:30	29	18	16	0	15	185	44	0	29	12	20	0	21	108	5	0	502
08:45	18	21	26	0	22	177	81	0	27	25	20	0	12	105	11	0	545
Total	98	83	76	0	73	788	287	0	101	66	64	0	63	456	32	0	2187
15:00	11	14	12	0	24	97	31	0	43	15	13	0	11	175	9	0	455
15:15	16	19	26	0	29	141	45	0	60	19	14	0	21	185	25	0	600
15:30	9	24	26	0	18	145	38	0	82	23	10	0	16	237	12	0	640
15:45	9	19	12	0	19	131	38	0	53	28	14	0	11	232	15	0	581
Total	45	76	76	0	90	514	152	0	238	85	51	0	59	829	61	0	2276
16:00	8	21	26	0	28	119	37	0	73	24	11	0	18	264	18	0	647
16:15	14	23	24	0	33	149	33	0	95	33	12	0	18	270	24	0	728
16:30	16	15	25	0	27	127	31	0	112	40	15	0	19	268	19	0	714
16:45	15	25	18	0	25	135	39	0	75	40	21	0	21	246	21	0	681
Total	53	84	93	0	113	530	140	0	355	137	59	0	76	1048	82	0	2770
17:00	18	18	26	0	27	134	34	0	143	29	29	0	9	243	19	0	729
17:15	13	34	21	0	34	155	31	0	84	42	22	0	21	255	27	0	739
17:30	22	21	16	0	12	108	29	0	65	23	17	0	21	255	21	0	610
17:45	14	16	9	0	27	118	40	0	54	19	3	0	22	209	43	0	574
Total	67	89	72	0	100	515	134	0	346	113	71	0	73	962	110	0	2652
Grand Total	450	481	412	0	456	4163	1260	0	1221	483	384	0	392	3958	319	0	13979
Aprpch %	33.5	35.8	30.7	0	7.8	70.8	21.4	0	58.5	23.1	18.4	0	8.4	84.8	6.8	0	
Total %	3.2	3.4	2.9	0	3.3	29.8	9	0	8.7	3.5	2.7	0	2.8	28.3	2.3	0	



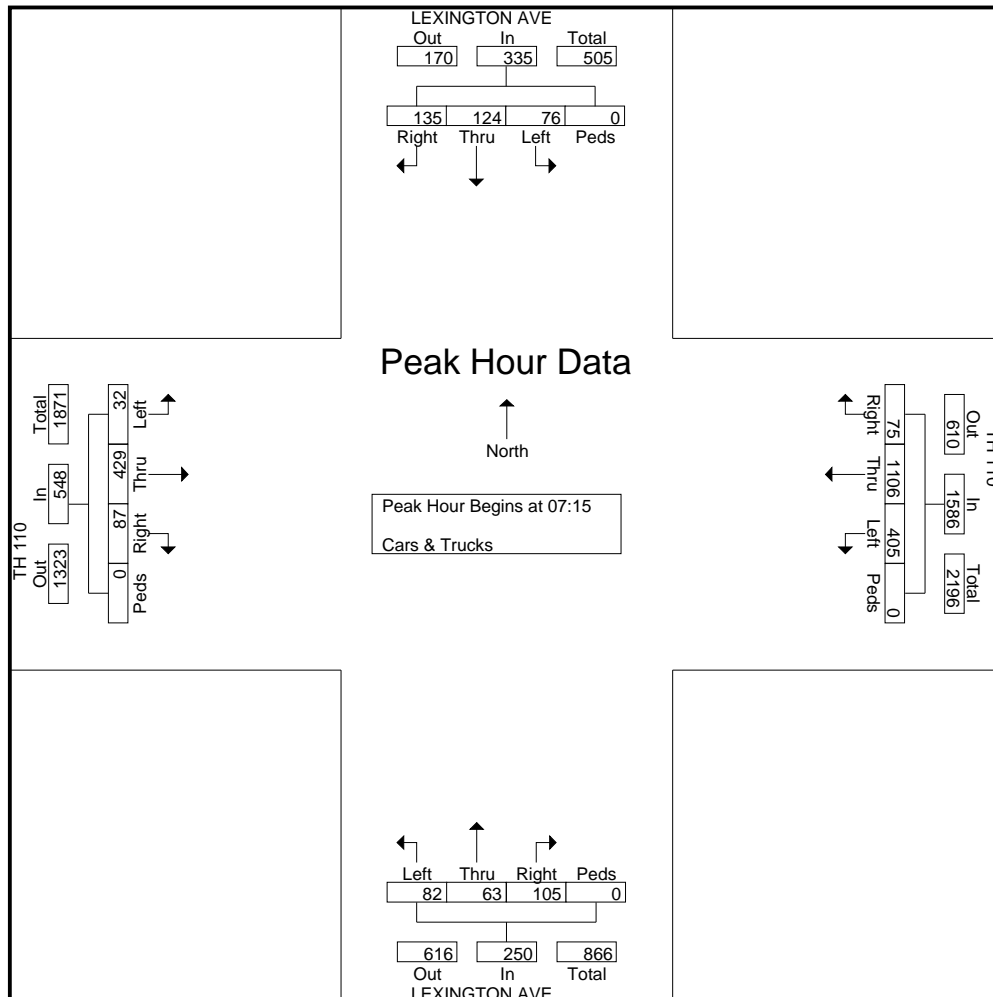
MINNESOTA DEPT OF TRANSPORTATION

TRAFFIC COLLECTION - METRO

Location: TH 110 AT LEXINGTON AVE
 REF.PT: 000+01.088
 JAMAR#632\DR
 TURN MOVEMENT COUNT

File Name : THCDF3~1
 Site Code : 00000000
 Start Date : 3/1/2006
 Page No : 2

Start Time	LEXINGTON AVE Southbound					TH 110 Westbound					LEXINGTON AVE Northbound					TH 110 Eastbound					Int. Total
	Right	Thru	Left	Peds	App. Total	Right	Thru	Left	Peds	App. Total	Right	Thru	Left	Peds	App. Total	Right	Thru	Left	Peds	App. Total	
Peak Hour Analysis From 06:00 to 08:45 - Peak 1 of 1																					
Peak Hour for Entire Intersection Begins at 07:15																					
07:15	33	32	21	0	86	15	311	89	0	415	30	8	24	0	62	19	93	11	0	123	686
07:30	39	30	18	0	87	23	304	105	0	432	29	18	22	0	69	19	87	6	0	112	700
07:45	35	41	18	0	94	19	253	125	0	397	23	22	22	0	67	29	140	4	0	173	731
08:00	28	21	19	0	68	18	238	86	0	342	23	15	14	0	52	20	109	11	0	140	602
Total Volume	135	124	76	0	335	75	1106	405	0	1586	105	63	82	0	250	87	429	32	0	548	2719
% App. Total	40.3	37	22.7	0		4.7	69.7	25.5	0		42	25.2	32.8	0		15.9	78.3	5.8	0		
PHF	.865	.756	.905	.000	.891	.815	.889	.810	.000	.918	.875	.716	.854	.000	.906	.750	.766	.727	.000	.792	.930





MINNESOTA DEPT OF TRANSPORTATION

TRAFFIC COLLECTION - METRO

Location: TH 110 AT LEXINGTON AVE
 REF.PT: 000+01.088
 JAMAR#632\DR
 TURN MOVEMENT COUNT

File Name : THCDF3~1
 Site Code : 00000000
 Start Date : 3/1/2006
 Page No : 3

Start Time	LEXINGTON AVE Southbound					TH 110 Westbound					LEXINGTON AVE Northbound					TH 110 Eastbound					Int. Total
	Right	Thru	Left	Peds	App. Total	Right	Thru	Left	Peds	App. Total	Right	Thru	Left	Peds	App. Total	Right	Thru	Left	Peds	App. Total	
Peak Hour Analysis From 15:00 to 17:45 - Peak 1 of 1																					
Peak Hour for Entire Intersection Begins at 16:30																					
16:30	16	15	25	0	56	27	127	31	0	185	112	40	15	0	167	19	268	19	0	306	714
16:45	15	25	18	0	58	25	135	39	0	199	75	40	21	0	136	21	246	21	0	288	681
17:00	18	18	26	0	62	27	134	34	0	195	143	29	29	0	201	9	243	19	0	271	729
17:15	13	34	21	0	68	34	155	31	0	220	84	42	22	0	148	21	255	27	0	303	739
Total Volume	62	92	90	0	244	113	551	135	0	799	414	151	87	0	652	70	1012	86	0	1168	2863
% App. Total	25.4	37.7	36.9	0		14.1	69	16.9	0		63.5	23.2	13.3	0		6	86.6	7.4	0		
PHF	.861	.676	.865	.000	.897	.831	.889	.865	.000	.908	.724	.899	.750	.000	.811	.833	.944	.796	.000	.954	.969

