

Location: TH 65 at 44th Avenue
 Count Date: 4/18/2017
 Counted By: JDA



TURNING MOVEMENT COUNT DATA
 All Vehicles

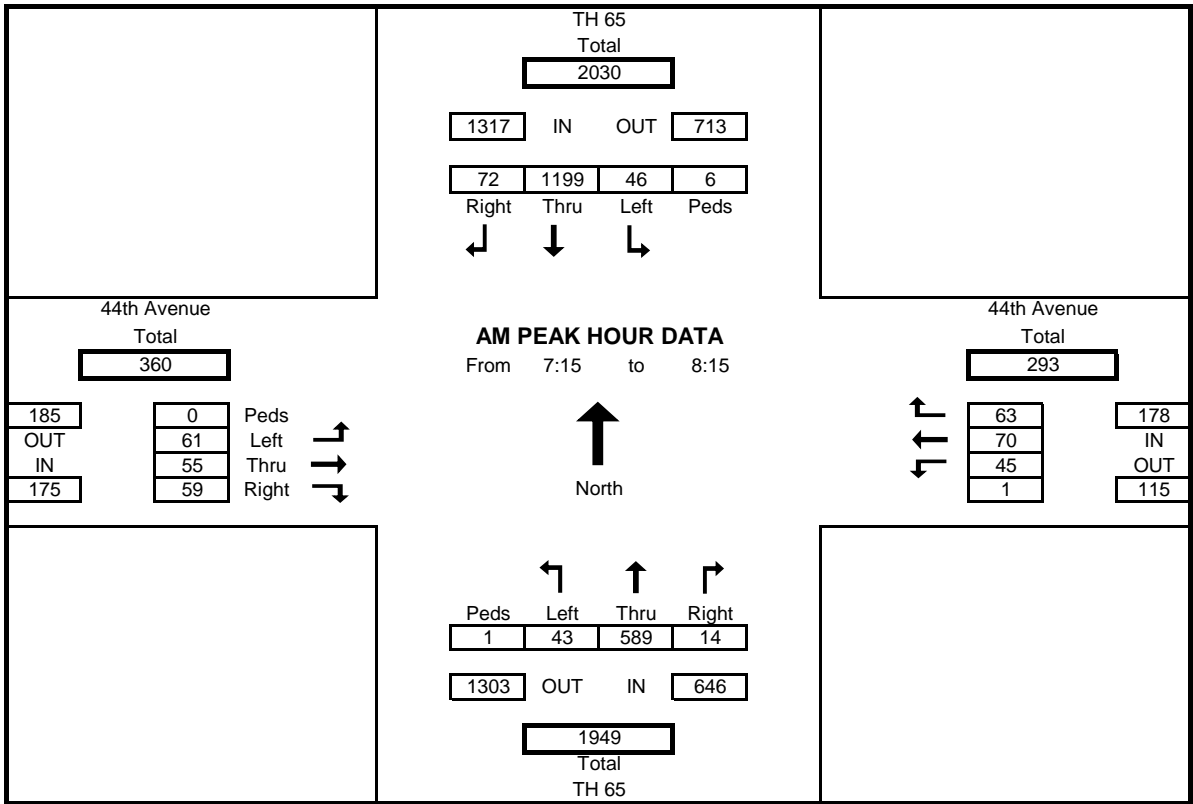
Start Time	TH 65				44th Avenue				TH 65				44th Avenue				Int. Total
	Southbound				Westbound				Northbound				Eastbound				
	Left	Thru	Right	Peds	Left	Thru	Right	Peds	Left	Thru	Right	Peds	Left	Thru	Right	Peds	
6:00	7	110	3	2	2	5	6	0	4	64	6	0	5	2	6	0	220
6:15	20	156	3	0	8	10	5	0	5	69	2	0	6	7	10	0	301
6:30	8	204	14	0	3	12	9	0	3	83	6	0	6	8	16	0	372
6:45	10	191	13	2	6	9	9	2	5	82	1	0	9	7	7	2	349
7:00	7	200	16	2	7	10	4	0	9	102	8	0	10	7	22	0	402
7:15	6	281	18	3	12	9	17	0	6	130	3	0	12	13	15	0	522
7:30	14	323	12	1	5	23	21	0	11	171	1	0	16	16	13	0	626
7:45	15	315	24	1	18	20	9	0	8	148	3	1	22	13	18	0	613
8:00	11	280	18	1	10	18	16	1	18	140	7	0	11	13	13	0	555
8:15	10	283	10	2	5	6	11	3	9	124	9	0	13	9	22	0	511
8:30	12	218	13	0	13	18	21	0	16	137	13	0	7	17	12	0	497
8:45	17	204	9	0	9	17	24	0	13	149	11	0	8	7	19	0	487
9:00	12	178	15	2	12	12	17	0	7	124	10	0	11	13	14	0	425
9:15	14	172	7	1	10	12	14	0	5	117	7	0	7	9	24	0	398
9:30	12	174	7	0	7	13	16	0	5	130	10	0	10	11	9	0	404
9:45	11	144	7	1	9	13	16	0	13	100	8	0	9	14	14	0	358
10:00	20	124	5	0	5	6	17	0	8	130	9	1	8	12	10	0	354
10:15	11	136	15	0	6	14	17	0	8	129	7	0	15	13	16	0	387
10:30	16	148	8	1	8	6	14	0	2	124	8	0	7	7	8	0	356
10:45	12	133	16	1	7	7	11	0	11	155	1	0	6	11	7	0	377
11:00	12	139	12	0	10	7	17	0	7	149	9	0	13	12	9	0	396
11:15	19	147	8	3	9	11	24	1	12	163	10	0	12	15	10	0	440
11:30	10	139	13	1	5	11	29	0	10	167	6	1	19	16	14	0	439
11:45	19	146	13	0	8	13	19	0	12	161	8	0	19	13	7	0	438
12:00	14	148	10	1	9	14	22	0	11	180	7	2	18	15	14	0	462
12:15	16	151	16	0	10	9	31	0	12	175	13	0	11	18	18	0	480
12:30	16	155	16	3	8	13	27	0	10	195	6	2	13	15	10	0	484
12:45	20	155	16	0	6	14	22	0	9	171	6	1	17	16	19	3	471
13:00	19	167	23	1	10	15	31	2	12	189	7	0	16	11	10	0	510
13:15	16	147	14	4	5	11	19	0	12	179	7	1	11	13	11	1	445
13:30	17	155	16	1	11	13	26	1	10	183	12	0	21	15	21	0	500
13:45	16	193	12	3	9	16	30	1	12	152	9	0	27	17	9	0	502
14:00	14	168	17	0	7	12	32	1	13	197	11	1	19	19	16	0	525
14:15	16	188	28	2	7	29	24	0	12	204	9	2	17	16	14	0	564
14:30	11	165	12	0	9	16	28	0	14	214	9	3	26	18	18	0	540
14:45	16	179	14	1	8	11	33	0	10	238	16	2	13	23	18	0	579
15:00	17	162	9	0	10	19	38	0	13	270	10	3	26	20	13	1	607
15:15	26	219	23	4	22	25	24	0	12	239	8	1	28	18	21	1	665
15:30	18	220	18	2	7	9	20	0	19	279	5	0	23	19	15	0	652
15:45	19	194	15	1	21	20	27	0	24	303	7	0	13	25	18	0	686
16:00	18	193	20	2	14	19	28	0	15	306	14	0	24	25	18	0	694
16:15	23	187	24	2	15	24	33	2	11	300	21	0	33	23	21	0	715
16:30	21	184	12	4	17	17	25	0	17	326	12	0	30	28	21	1	710
16:45	21	197	19	1	12	16	24	0	18	301	13	2	23	20	24	4	688
17:00	9	215	26	2	10	23	19	0	18	313	10	1	39	26	23	1	731
17:15	13	226	17	2	8	20	21	0	15	305	8	0	22	22	19	1	696
17:30	4	223	32	2	5	15	25	2	21	347	6	0	27	23	34	1	762
17:45	14	189	24	1	5	14	18	0	24	272	7	0	34	15	12	1	628
18:00	8	188	20	3	6	11	8	1	22	228	6	3	24	12	21	0	554
18:15	14	197	14	0	5	16	12	0	8	234	5	1	18	12	21	2	556
18:30	16	149	24	1	10	15	24	1	10	209	6	4	15	16	16	1	510
18:45	9	177	14	0	2	6	16	0	11	201	3	0	24	10	11	1	484
Total	746	9636	784	67	462	724	1050	18	602	9758	416	32	873	775	801	21	26627
Cars+	732	9293	765	67	453	713	1029	18	566	9356	401	30	858	756	778	21	25700
Trucks	14	343	19	0	9	11	21	0	36	402	15	2	15	19	23	0	927
% Trucks	1.9	3.7	2.5	0.0	2.0	1.5	2.0	0.0	6.4	4.3	3.7	6.7	1.7	2.5	3.0	0.0	3.6
	3.5				1.9				4.4				2.4				

Location: TH 65 at 44th Avenue
 Count Date: 4/18/2017
 Counted By: JDA



AM PEAK HOUR TURNING MOVEMENT DATA
 All Vehicles

Start Time	TH 65				44th Avenue				TH 65				44th Avenue				Int. Total
	Southbound				Westbound				Northbound				Eastbound				
	Left	Thru	Right	Peds	Left	Thru	Right	Peds	Left	Thru	Right	Peds	Left	Thru	Right	Peds	
7:15	6	281	18	3	12	9	17	0	6	130	3	0	12	13	15	0	522
7:30	14	323	12	1	5	23	21	0	11	171	1	0	16	16	13	0	626
7:45	15	315	24	1	18	20	9	0	8	148	3	1	22	13	18	0	613
8:00	11	280	18	1	10	18	16	1	18	140	7	0	11	13	13	0	555
Total	46	1199	72	6	45	70	63	1	43	589	14	1	61	55	59	0	2316
% App. Total	3.5	90.6	5.4	0.5	3.4	5.3	4.8	0.1	3.3	44.5	1.1	0.1	4.6	4.2	4.5	0.0	
PHF	0.767	0.928	0.750	0.500	0.625	0.761	0.750	0.250	0.597	0.861	0.500	0.250	0.693	0.859	0.819	0.000	0.925
% Trucks	4.5	3.5	2.9	0.0	2.3	1.4	1.6	0.0	7.5	8.9	0.0	0.0	1.7	1.9	1.7	0.0	4.6
	3.5				1.7				8.6				1.7				

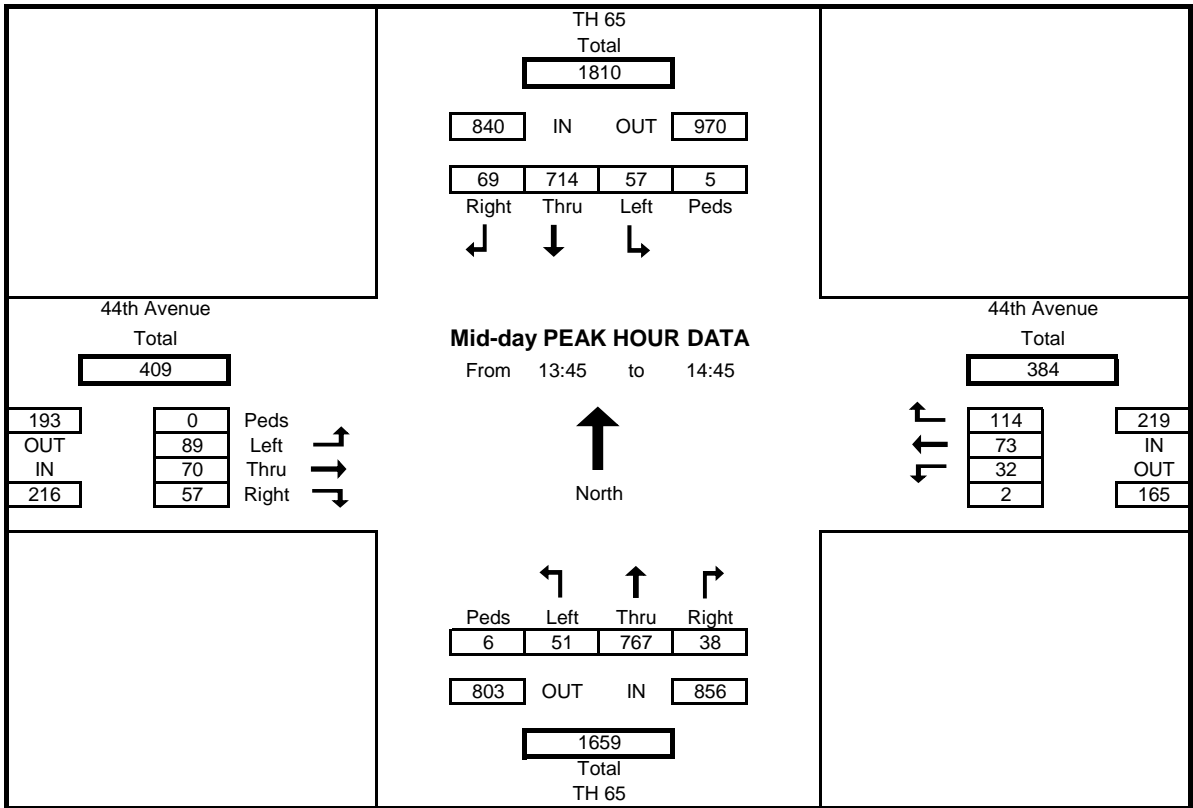


Location: TH 65 at 44th Avenue
 Count Date: 4/18/2017
 Counted By: JDA



Mid-Day PEAK HOUR TURNING MOVEMENT DATA
 All Vehicles

Start Time	TH 65				44th Avenue				TH 65				44th Avenue				Int. Total
	Southbound				Westbound				Northbound				Eastbound				
	Left	Thru	Right	Peds	Left	Thru	Right	Peds	Left	Thru	Right	Peds	Left	Thru	Right	Peds	
13:45	16	193	12	3	9	16	30	1	12	152	9	0	27	17	9	0	502
14:00	14	168	17	0	7	12	32	1	13	197	11	1	19	19	16	0	525
14:15	16	188	28	2	7	29	24	0	12	204	9	2	17	16	14	0	564
14:30	11	165	12	0	9	16	28	0	14	214	9	3	26	18	18	0	540
Total	57	714	69	5	32	73	114	2	51	767	38	6	89	70	57	0	2131
% App. Total	6.7	84.5	8.2	0.6	3.8	8.6	13.5	0.2	6.0	90.8	4.5	0.7	10.5	8.3	6.7	0.0	
PHF	0.891	0.925	0.616	0.417	0.889	0.629	0.891	0.500	0.911	0.896	0.864	0.500	0.824	0.921	0.792	0.000	0.945
% Trucks	0.0	4.7	3.0	0.0	0.0	4.3	1.8	0.0	4.1	4.6	2.7	0.0	2.3	1.4	5.6	0.0	4.0
			4.2				2.3				4.5				2.9		

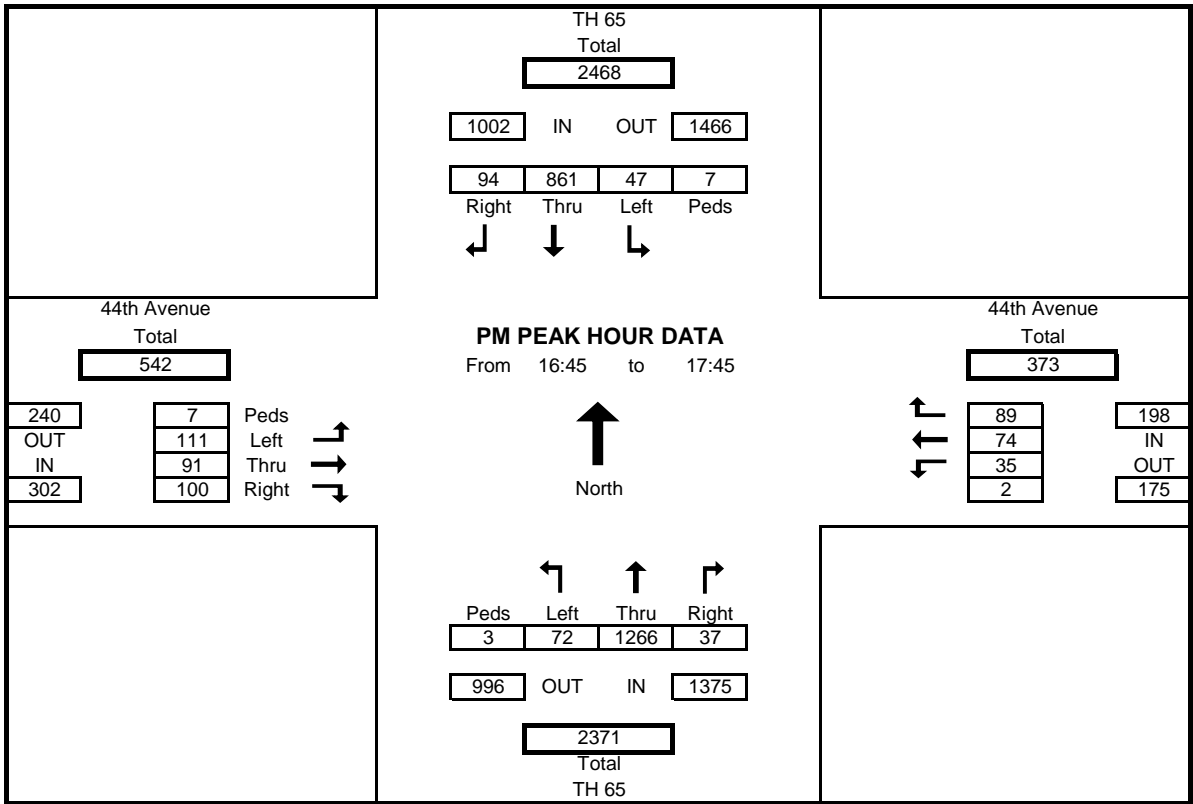


Location: TH 65 at 44th Avenue
 Count Date: 4/18/2017
 Counted By: JDA



AM PEAK HOUR TURNING MOVEMENT DATA
 All Vehicles

Start Time	TH 65				44th Avenue				TH 65				44th Avenue				Int. Total
	Southbound				Westbound				Northbound				Eastbound				
	Left	Thru	Right	Peds	Left	Thru	Right	Peds	Left	Thru	Right	Peds	Left	Thru	Right	Peds	
16:45	21	197	19	1	12	16	24	0	18	301	13	2	23	20	24	4	688
17:00	9	215	26	2	10	23	19	0	18	313	10	1	39	26	23	1	731
17:15	13	226	17	2	8	20	21	0	15	305	8	0	22	22	19	1	696
17:30	4	223	32	2	5	15	25	2	21	347	6	0	27	23	34	1	762
Total	47	861	94	7	35	74	89	2	72	1266	37	3	111	91	100	7	2877
% App. Total	4.7	85.3	9.3	0.7	3.5	7.3	8.8	0.2	7.1	125.5	3.7	0.3	11.0	9.0	9.9	0.7	
PHF	0.560	0.952	0.734	0.875	0.729	0.804	0.890	0.250	0.857	0.912	0.712	0.375	0.712	0.875	0.735	0.438	0.944
% Trucks	2.2	1.8	2.2	0.0	2.9	0.0	2.3	0.0	7.5	2.7	0.0	50.0	2.8	2.2	1.0	0.0	2.3
	1.8				1.5				2.8				2.0				



Location: TH 65 at 44th Avenue
 Count Date: 4/18/2017
 Counted By: JDA



TURNING MOVEMENT COUNT DATA

Cars+

Start Time	TH 65				44th Avenue				TH 65				44th Avenue				Int. Total
	Southbound				Westbound				Northbound				Eastbound				
	Left	Thru	Right	Peds	Left	Thru	Right	Peds	Left	Thru	Right	Peds	Left	Thru	Right	Peds	
6:00	7	99	3	2	2	5	5	0	3	59	3	0	5	2	6	0	199
6:15	18	152	3	0	6	10	5	0	5	61	2	0	6	7	8	0	283
6:30	8	193	13	0	3	11	9	0	3	76	5	0	6	8	15	0	350
6:45	9	181	10	2	5	9	9	2	5	80	1	0	9	6	7	2	331
7:00	7	187	16	2	6	10	4	0	8	96	6	0	9	7	21	0	377
7:15	6	272	18	3	11	8	16	0	5	122	3	0	12	13	15	0	501
7:30	13	307	12	1	5	23	21	0	11	161	1	0	16	16	12	0	598
7:45	15	309	23	1	18	20	9	0	7	133	3	1	22	13	18	0	590
8:00	10	270	17	1	10	18	16	1	17	125	7	0	10	12	13	0	525
8:15	9	268	10	2	5	6	10	3	9	115	8	0	12	9	20	0	481
8:30	12	207	12	0	13	18	20	0	10	130	13	0	7	16	12	0	470
8:45	17	196	9	0	9	17	24	0	11	135	10	0	8	7	19	0	462
9:00	12	171	15	2	12	12	17	0	7	118	10	0	11	13	14	0	412
9:15	14	167	7	1	10	12	14	0	3	112	7	0	7	9	24	0	386
9:30	12	162	7	0	7	13	16	0	5	124	10	0	10	11	9	0	386
9:45	11	139	7	1	9	13	15	0	12	90	8	0	9	13	13	0	339
10:00	20	120	5	0	5	6	17	0	8	124	9	1	8	12	10	0	344
10:15	11	132	15	0	6	14	16	0	8	122	7	0	15	12	16	0	374
10:30	16	143	8	1	8	6	13	0	2	119	8	0	7	7	8	0	345
10:45	12	127	15	1	7	7	11	0	11	140	1	0	5	10	7	0	353
11:00	11	131	10	0	10	7	16	0	6	139	8	0	13	12	9	0	372
11:15	18	141	8	3	9	11	23	1	12	152	10	0	12	15	10	0	421
11:30	10	132	13	1	5	10	28	0	9	160	6	1	19	15	14	0	421
11:45	19	146	13	0	8	13	19	0	12	158	8	0	19	12	7	0	434
12:00	14	144	10	1	9	13	22	0	11	177	6	2	18	14	14	0	452
12:15	16	144	16	0	10	9	29	0	12	167	13	0	11	17	18	0	462
12:30	16	148	16	3	8	13	27	0	10	187	6	2	13	15	10	0	469
12:45	18	149	15	0	6	14	22	0	9	161	6	0	16	16	18	3	450
13:00	19	160	23	1	10	12	31	2	12	185	7	0	16	11	10	0	496
13:15	16	138	11	4	5	11	17	0	11	171	6	1	11	13	11	1	421
13:30	16	151	16	1	10	13	26	1	10	175	11	0	20	15	20	0	483
13:45	16	183	12	3	9	15	29	1	12	148	9	0	27	16	9	0	485
14:00	14	162	17	0	7	12	32	1	12	189	11	1	18	19	16	0	509
14:15	16	180	27	2	7	27	24	0	12	191	8	2	16	16	12	0	536
14:30	11	157	11	0	9	16	27	0	13	205	9	3	26	18	17	0	519
14:45	16	170	14	1	8	11	32	0	9	229	16	2	12	22	17	0	556
15:00	16	156	8	0	9	19	38	0	13	257	10	3	25	19	11	1	581
15:15	25	201	23	4	22	25	23	0	11	232	7	1	28	18	19	1	634
15:30	18	216	18	2	7	9	20	0	17	272	5	0	23	18	14	0	637
15:45	19	190	15	1	20	20	27	0	23	289	7	0	12	25	18	0	665
16:00	18	191	20	2	14	19	28	0	15	300	14	0	23	25	17	0	684
16:15	23	184	24	2	15	23	33	2	11	295	21	0	33	21	21	0	704
16:30	21	181	12	4	17	17	24	0	16	322	11	0	30	28	20	1	699
16:45	21	193	18	1	12	16	24	0	16	295	13	1	22	20	24	4	674
17:00	8	213	26	2	10	23	19	0	18	305	10	1	38	25	23	1	718
17:15	13	222	17	2	8	20	19	0	14	297	8	0	21	21	19	1	679
17:30	4	218	31	2	4	15	25	2	19	336	6	0	27	23	33	1	741
17:45	14	187	24	1	5	14	18	0	21	266	7	0	34	15	12	1	617
18:00	8	186	20	3	6	11	8	1	22	224	6	3	24	12	21	0	548
18:15	14	194	14	0	5	16	12	0	8	230	5	1	18	11	21	2	548
18:30	16	148	24	1	10	15	24	1	10	205	6	4	15	16	15	1	504
18:45	9	175	14	0	2	6	16	0	10	195	3	0	24	10	11	1	475
Total	732	9293	765	67	453	713	1029	18	566	9356	401	30	858	756	778	21	25700
Cars+	732	9293	765	67	453	713	1029	18	566	9356	401	30	858	756	778	21	25700
Trucks	14	343	19	0	9	11	21	0	36	402	15	2	15	19	23	0	927
% Trucks	1.9	3.7	2.5	0.0	2.0	1.5	2.0	0.0	6.4	4.3	3.7	6.7	1.7	2.5	3.0	0.0	3.6
	3.5				1.9				4.4				2.4				

Location: TH 65 at 44th Avenue
 Count Date: 4/18/2017
 Counted By: JDA



TURNING MOVEMENT COUNT DATA
Heavy Vehicles

Start Time	TH 65				44th Avenue				TH 65				44th Avenue				Int. Total
	Southbound				Westbound				Northbound				Eastbound				
	Left	Thru	Right	Bikes	Left	Thru	Right	Bikes	Left	Thru	Right	Bikes	Left	Thru	Right	Bikes	
6:00	0	11	0	0	0	0	1	0	1	5	3	0	0	0	0	0	21
6:15	2	4	0	0	2	0	0	0	0	8	0	0	0	0	2	0	18
6:30	0	11	1	0	0	1	0	0	0	7	1	0	0	0	1	0	22
6:45	1	10	3	0	1	0	0	0	0	2	0	0	0	1	0	0	18
7:00	0	13	0	0	1	0	0	0	1	6	2	0	1	0	1	0	25
7:15	0	9	0	0	1	1	1	0	1	8	0	0	0	0	0	0	21
7:30	1	16	0	0	0	0	0	0	0	10	0	0	0	0	1	0	28
7:45	0	6	1	0	0	0	0	0	1	15	0	0	0	0	0	0	23
8:00	1	10	1	0	0	0	0	0	1	15	0	0	1	1	0	0	30
8:15	1	15	0	0	0	0	1	0	0	9	1	0	1	0	2	0	30
8:30	0	11	1	0	0	0	1	0	6	7	0	0	0	1	0	0	27
8:45	0	8	0	0	0	0	0	0	2	14	1	0	0	0	0	0	25
9:00	0	7	0	0	0	0	0	0	0	6	0	0	0	0	0	0	13
9:15	0	5	0	0	0	0	0	0	2	5	0	0	0	0	0	0	12
9:30	0	12	0	0	0	0	0	0	0	6	0	0	0	0	0	0	18
9:45	0	5	0	0	0	0	1	0	1	10	0	0	0	1	1	0	19
10:00	0	4	0	0	0	0	0	0	0	6	0	0	0	0	0	0	10
10:15	0	4	0	0	0	0	1	0	0	7	0	0	0	1	0	0	13
10:30	0	5	0	0	0	0	1	0	0	5	0	0	0	0	0	0	11
10:45	0	6	1	0	0	0	0	0	0	15	0	0	1	1	0	0	24
11:00	1	8	2	0	0	0	1	0	1	10	1	0	0	0	0	0	24
11:15	1	6	0	0	0	0	1	0	0	11	0	0	0	0	0	0	19
11:30	0	7	0	0	0	1	1	0	1	7	0	0	0	1	0	0	18
11:45	0	0	0	0	0	0	0	0	0	3	0	0	0	1	0	0	4
12:00	0	4	0	0	0	1	0	0	0	3	1	0	0	1	0	0	10
12:15	0	7	0	0	0	0	2	0	0	8	0	0	0	1	0	0	18
12:30	0	7	0	0	0	0	0	0	0	8	0	0	0	0	0	0	15
12:45	2	6	1	0	0	0	0	0	0	10	0	1	1	0	1	0	21
13:00	0	7	0	0	0	3	0	0	0	4	0	0	0	0	0	0	14
13:15	0	9	3	0	0	0	2	0	1	8	1	0	0	0	0	0	24
13:30	1	4	0	0	1	0	0	0	0	8	1	0	1	0	1	0	17
13:45	0	10	0	0	0	1	1	0	0	4	0	0	0	1	0	0	17
14:00	0	6	0	0	0	0	0	0	1	8	0	0	1	0	0	0	16
14:15	0	8	1	0	0	2	0	0	0	13	1	0	1	0	2	0	28
14:30	0	8	1	0	0	0	1	0	1	9	0	0	0	0	1	0	21
14:45	0	9	0	0	0	0	1	0	1	9	0	0	1	1	1	0	23
15:00	1	6	1	0	1	0	0	0	0	13	0	0	1	1	2	0	26
15:15	1	18	0	0	0	0	1	0	1	7	1	0	0	0	2	0	31
15:30	0	4	0	0	0	0	0	0	2	7	0	0	0	1	1	0	15
15:45	0	4	0	0	1	0	0	0	1	14	0	0	1	0	0	0	21
16:00	0	2	0	0	0	0	0	0	0	6	0	0	1	0	1	0	10
16:15	0	3	0	0	0	1	0	0	0	5	0	0	0	2	0	0	11
16:30	0	3	0	0	0	0	1	0	1	4	1	0	0	0	1	0	11
16:45	0	4	1	0	0	0	0	0	2	6	0	1	1	0	0	0	14
17:00	1	2	0	0	0	0	0	0	0	8	0	0	1	1	0	0	13
17:15	0	4	0	0	0	0	2	0	1	8	0	0	1	1	0	0	17
17:30	0	5	1	0	1	0	0	0	2	11	0	0	0	0	1	0	21
17:45	0	2	0	0	0	0	0	0	3	6	0	0	0	0	0	0	11
18:00	0	2	0	0	0	0	0	0	0	4	0	0	0	0	0	0	6
18:15	0	3	0	0	0	0	0	0	0	4	0	0	0	1	0	0	8
18:30	0	1	0	0	0	0	0	0	0	4	0	0	0	0	1	0	6
18:45	0	2	0	0	0	0	0	0	1	6	0	0	0	0	0	0	9
Total	14	343	19	0	9	11	21	0	36	402	15	2	15	19	23	0	927
Cars+	732	9293	765	67	453	713	1029	18	566	9356	401	30	858	756	778	21	25700
Trucks	14	343	19	0	9	11	21	0	36	402	15	2	15	19	23	0	927
% Trucks	1.9	3.7	2.5	0.0	2.0	1.5	2.0	0.0	6.4	4.3	3.7	6.7	1.7	2.5	3.0	0.0	3.6
	3.5				1.9				4.4				2.4				