



# MINNESOTA DEPT OF TRANSPORTATION

## TRAFFIC DATA COLLECTION - METRO

TH-65 / Central Ave at 53rd Ave NE  
 Ref.Pt.: 006.130  
 JAMAR # T2638/631 CAH/ RE  
 TURN MOVEMENT COUNT

File Name : TH-65 at 53rd Ave NE 2012 AmPm  
 Site Code : 00000000  
 Start Date : 4/11/2012  
 Page No : 1

### Groups Printed- Cars & Trucks

Start Time	TH-65 / Central Ave Southbound				53rd Ave NE Westbound				TH-65 / Central Ave Northbound				53rd Ave NE Eastbound				Int. Total
	Left	Thru	Right	Peds	Left	Thru	Right	Peds	Left	Thru	Right	Peds	Left	Thru	Right	Peds	
06:00	8	63	26	0	0	1	6	0	3	93	1	0	9	0	3	0	213
06:15	20	127	24	1	4	2	13	0	2	71	1	0	10	2	6	0	283
06:30	5	163	32	0	3	3	8	0	6	136	2	0	22	0	8	0	388
06:45	4	183	60	0	2	3	12	0	5	112	4	0	9	2	10	0	406
Total	37	536	142	1	9	9	39	0	16	412	8	0	50	4	27	0	1290
07:00	3	183	53	0	3	3	8	0	8	144	0	0	19	1	15	0	440
07:15	13	240	52	4	1	1	15	3	7	147	6	1	19	1	7	0	517
07:30	15	252	29	0	5	3	27	0	7	179	5	0	20	6	16	0	564
07:45	21	253	71	0	7	5	24	0	24	202	8	1	24	4	13	0	657
Total	52	928	205	4	16	12	74	3	46	672	19	2	82	12	51	0	2178
08:00	16	220	85	0	8	7	30	0	23	160	9	0	22	2	17	0	599
08:15	25	190	58	0	4	3	29	0	11	153	3	1	31	7	17	0	532
08:30	32	158	53	1	8	10	25	0	17	155	7	0	32	4	16	0	518
08:45	29	187	53	1	9	3	32	0	16	160	9	0	32	10	18	0	559
Total	102	755	249	2	29	23	116	0	67	628	28	1	117	23	68	0	2208
*** BREAK ***																	
15:00	35	162	64	0	18	7	39	2	30	271	17	0	60	10	32	2	749
15:15	47	203	73	0	17	11	26	3	69	205	12	0	75	18	20	0	779
15:30	51	199	78	0	15	20	35	3	34	262	18	1	59	14	22	0	811
15:45	40	272	82	3	14	9	23	2	42	286	20	0	72	8	34	4	911
Total	173	836	297	3	64	47	123	10	175	1024	67	1	266	50	108	6	3250
16:00	38	252	69	0	20	20	41	0	41	276	18	1	86	18	36	0	916
16:15	30	181	72	1	24	10	28	2	34	306	21	0	70	11	46	0	836
16:30	35	237	80	3	14	13	36	5	35	310	30	0	91	12	47	0	948
16:45	39	238	79	1	21	18	44	1	40	288	13	0	89	16	55	0	942
Total	142	908	300	5	79	61	149	8	150	1180	82	1	336	57	184	0	3642
17:00	47	210	95	1	14	9	45	2	50	362	11	0	110	10	42	1	1009
17:15	54	244	87	4	17	12	27	1	37	287	17	0	87	11	54	1	940
17:30	28	183	93	1	17	11	49	0	46	279	5	0	87	15	54	3	871
17:45	38	235	68	0	10	8	31	1	37	302	16	0	69	17	48	0	880
Total	167	872	343	6	58	40	152	4	170	1230	49	0	353	53	198	5	3700
Grand Total	673	4835	1536	21	255	192	653	25	624	5146	253	5	1204	199	636	11	16268
Apprch %	9.5	68.4	21.7	0.3	22.7	17.1	58	2.2	10.4	85.4	4.2	0.1	58.7	9.7	31	0.5	
Total %	4.1	29.7	9.4	0.1	1.6	1.2	4	0.2	3.8	31.6	1.6	0	7.4	1.2	3.9	0.1	



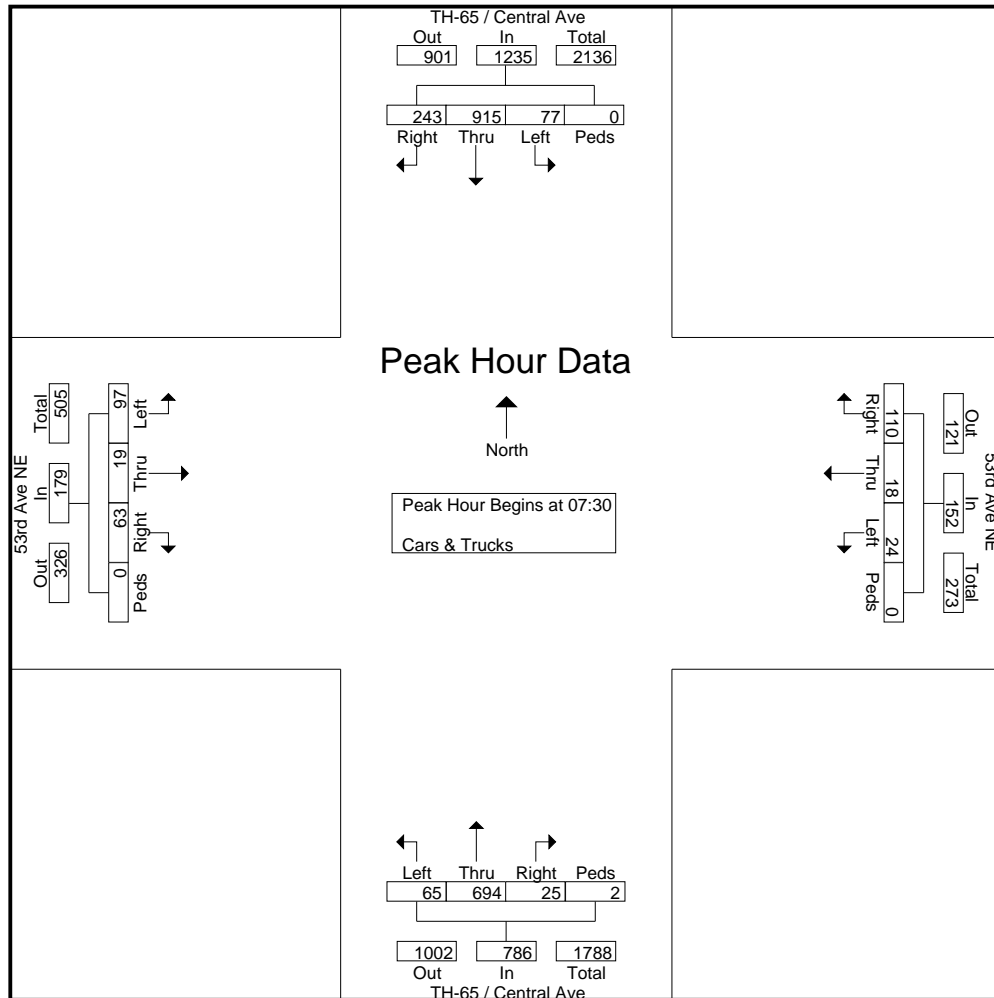
# MINNESOTA DEPT OF TRANSPORTATION

## TRAFFIC DATA COLLECTION - METRO

TH-65 / Central Ave at 53rd Ave NE  
 Ref.Pt.: 006.130  
 JAMAR # T2638/631 CAH/ RE  
 TURN MOVEMENT COUNT

File Name : TH-65 at 53rd Ave NE 2012 AmPm  
 Site Code : 00000000  
 Start Date : 4/11/2012  
 Page No : 2

Start Time	TH-65 / Central Ave Southbound					53rd Ave NE Westbound					TH-65 / Central Ave Northbound					53rd Ave NE Eastbound					Int. Total
	Left	Thru	Right	Peds	App. Total	Left	Thru	Right	Peds	App. Total	Left	Thru	Right	Peds	App. Total	Left	Thru	Right	Peds	App. Total	
Peak Hour Analysis From 06:00 to 08:45 - Peak 1 of 1																					
Peak Hour for Entire Intersection Begins at 07:30																					
07:30	15	252	29	0	296	5	3	27	0	35	7	179	5	0	191	20	6	16	0	42	564
07:45	21	<b>253</b>	71	0	<b>345</b>	7	5	24	0	36	<b>24</b>	<b>202</b>	8	<b>1</b>	<b>235</b>	24	4	13	0	41	<b>657</b>
08:00	16	220	<b>85</b>	0	321	<b>8</b>	<b>7</b>	<b>30</b>	0	<b>45</b>	23	160	9	0	192	22	2	<b>17</b>	0	41	599
08:15	<b>25</b>	190	58	0	273	4	3	29	0	36	11	153	3	1	168	<b>31</b>	<b>7</b>	17	0	<b>55</b>	532
Total Volume	77	915	243	0	1235	24	18	110	0	152	65	694	25	2	786	97	19	63	0	179	2352
% App. Total	6.2	74.1	19.7	0		15.8	11.8	72.4	0		8.3	88.3	3.2	0.3		54.2	10.6	35.2	0		
PHF	.770	.904	.715	.000	.895	.750	.643	.917	.000	.844	.677	.859	.694	.500	.836	.782	.679	.926	.000	.814	.895





# MINNESOTA DEPT OF TRANSPORTATION

## TRAFFIC DATA COLLECTION - METRO

TH-65 / Central Ave at 53rd Ave NE  
 Ref.Pt.: 006.130  
 JAMAR # T2638/631 CAH/ RE  
 TURN MOVEMENT COUNT

File Name : TH-65 at 53rd Ave NE 2012 AmPm  
 Site Code : 00000000  
 Start Date : 4/11/2012  
 Page No : 3

Start Time	TH-65 / Central Ave Southbound					53rd Ave NE Westbound					TH-65 / Central Ave Northbound					53rd Ave NE Eastbound					Int. Total
	Left	Thru	Right	Peds	App. Total	Left	Thru	Right	Peds	App. Total	Left	Thru	Right	Peds	App. Total	Left	Thru	Right	Peds	App. Total	
16:30	35	237	80	3	355	14	13	36	5	68	35	310	30	0	375	91	12	47	0	150	948
16:45	39	238	79	1	357	21	18	44	1	84	40	288	13	0	341	89	16	55	0	160	942
17:00	47	210	95	1	353	14	9	45	2	70	50	362	11	0	423	110	10	42	1	163	1009
17:15	54	244	87	4	389	17	12	27	1	57	37	287	17	0	341	87	11	54	1	153	940
Total Volume	175	929	341	9	1454	66	52	152	9	279	162	1247	71	0	1480	377	49	198	2	626	3839
% App. Total	12	63.9	23.5	0.6		23.7	18.6	54.5	3.2		10.9	84.3	4.8	0		60.2	7.8	31.6	0.3		
PHF	.810	.952	.897	.563	.934	.786	.722	.844	.450	.830	.810	.861	.592	.000	.875	.857	.766	.900	.500	.960	.951

Peak Hour Analysis From 15:00 to 17:45 - Peak 1 of 1  
 Peak Hour for Entire Intersection Begins at 16:30

