

Location: TH 65 at Constance Blvd (CSAH 60)  
 Count Date: 4/4/2017  
 Counted By: JDA



**TURNING MOVEMENT COUNT DATA**

**All Vehicles**

Start Time	TH 65				Constance Blvd				TH 65				Constance Blvd				Int. Total
	Southbound				Westbound				Northbound				Eastbound				
	Left	Thru	Right	Peds	Left	Thru	Right	Peds	Left	Thru	Right	Peds	Left	Thru	Right	Peds	
6:00	6	503	10	0	25	11	4	0	4	61	10	0	3	6	13	0	656
6:15	12	502	14	0	42	13	6	0	2	70	11	0	5	15	16	0	708
6:30	13	542	14	0	33	10	7	0	0	107	18	0	2	8	15	0	769
6:45	8	513	28	0	47	14	3	0	5	93	17	0	3	12	21	0	764
7:00	20	469	18	0	46	16	9	0	4	107	18	0	5	17	25	0	754
7:15	20	473	17	0	51	11	12	0	4	137	19	0	5	17	25	0	791
7:30	8	533	16	0	40	21	11	0	6	136	26	0	8	20	19	0	844
7:45	15	376	9	0	33	16	5	0	10	142	17	0	8	20	27	0	678
8:00	18	343	13	0	31	15	7	0	8	95	17	0	7	20	13	0	587
8:15	16	337	17	0	36	12	11	0	8	149	24	0	5	19	15	0	649
8:30	13	298	12	0	18	5	9	0	13	101	24	0	5	13	12	0	523
8:45	15	251	27	0	30	14	7	0	19	109	18	0	1	9	21	0	521
9:00	26	245	13	0	35	9	17	0	15	158	40	0	4	13	17	0	592
9:15	32	243	11	0	49	24	21	0	9	128	15	0	6	16	19	0	573
9:30	6	231	10	0	51	7	8	0	4	150	14	0	7	8	19	0	515
9:45	12	223	13	0	23	6	8	0	10	133	21	0	8	15	21	0	493
10:00	4	192	9	0	19	2	10	0	15	149	22	0	10	5	18	0	455
10:15	5	191	11	0	18	5	12	0	11	140	21	0	5	7	15	0	441
10:30	11	178	13	0	20	6	12	0	9	169	21	0	7	7	14	0	467
10:45	11	178	7	0	31	9	11	0	2	138	20	0	9	10	19	0	445
11:00	10	208	12	0	27	9	11	0	14	183	21	0	10	6	9	0	520
11:15	9	213	10	0	24	10	12	0	17	160	23	0	8	17	10	0	513
11:30	10	163	9	0	35	12	14	0	6	165	15	0	12	11	29	0	481
11:45	10	169	12	0	30	6	13	0	7	174	36	0	4	6	17	0	484
12:00	11	211	5	0	38	15	6	0	12	213	36	0	8	18	10	0	583
12:15	14	190	12	0	25	13	16	0	16	189	18	0	8	5	13	0	519
12:30	12	209	9	0	27	4	20	0	9	229	27	0	7	12	23	0	588
12:45	12	166	15	0	33	17	11	1	10	189	17	0	8	9	12	0	499
13:00	9	175	7	0	33	6	11	0	7	190	17	0	9	9	21	0	494
13:15	12	200	14	0	20	10	12	0	16	189	19	0	7	10	9	0	518
13:30	8	174	9	0	19	8	10	0	7	197	26	0	7	5	7	0	477
13:45	8	192	8	0	24	9	14	0	12	240	18	0	11	13	9	0	558
14:00	10	204	18	0	29	9	14	0	8	261	25	0	4	12	11	0	605
14:15	13	180	13	0	22	7	21	0	12	301	38	0	5	14	9	0	635
14:30	8	188	6	0	18	10	19	0	9	326	31	0	15	16	9	0	655
14:45	21	148	15	0	23	10	12	0	26	353	30	0	7	14	12	0	671
15:00	9	167	6	0	17	10	12	0	15	408	35	0	14	13	17	0	723
15:15	12	168	10	0	31	16	18	0	14	400	36	0	11	14	17	0	747
15:30	16	215	13	0	23	12	23	0	8	435	36	0	18	21	6	0	826
15:45	16	206	10	0	25	18	26	0	18	434	45	0	19	20	14	0	851
16:00	10	211	12	0	35	14	36	0	21	486	22	0	14	17	17	0	895
16:15	14	194	4	0	34	28	28	0	16	434	35	0	23	20	11	0	841
16:30	20	283	9	0	26	17	15	0	13	535	49	0	17	16	17	0	1017
16:45	21	190	9	0	35	22	19	0	26	466	36	0	16	21	16	0	877
17:00	12	265	7	0	30	17	31	0	15	547	38	0	18	24	12	0	1016
17:15	21	190	11	2	28	29	28	0	20	333	31	0	14	19	4	0	728
17:30	12	178	8	0	21	11	24	0	11	527	52	0	12	14	16	1	886
17:45	11	154	6	0	20	13	19	0	30	392	31	0	12	11	11	0	710
18:00	10	197	5	0	17	12	27	0	12	365	31	0	13	15	13	0	717
18:15	13	170	8	0	27	12	25	0	20	291	27	0	17	10	8	0	628
18:30	15	152	6	0	20	11	18	0	16	279	25	0	8	5	10	0	565
18:45	11	120	8	0	12	8	22	0	10	275	25	0	5	7	6	0	509
Total	671	12871	588	2	1506	631	777	1	611	12638	1344	0	474	681	769	1	33561
Cars+	655	12343	561	0	1274	598	757	1	585	12225	1275	0	453	659	730	1	32115
Trucks	16	528	27	2	232	33	20	0	26	413	69	0	21	22	39	0	1446
% Trucks	2.4	4.3	4.8	#DIV/0!	18.2	5.5	2.6	0.0	4.4	3.4	5.4	0.0	4.6	3.3	5.3	0.0	4.5
	4.2				10.8				3.6				4.5				

Location: TH 65 at Constance Blvd (CSAH 60)  
 Count Date: 4/4/2017  
 Counted By: JDA

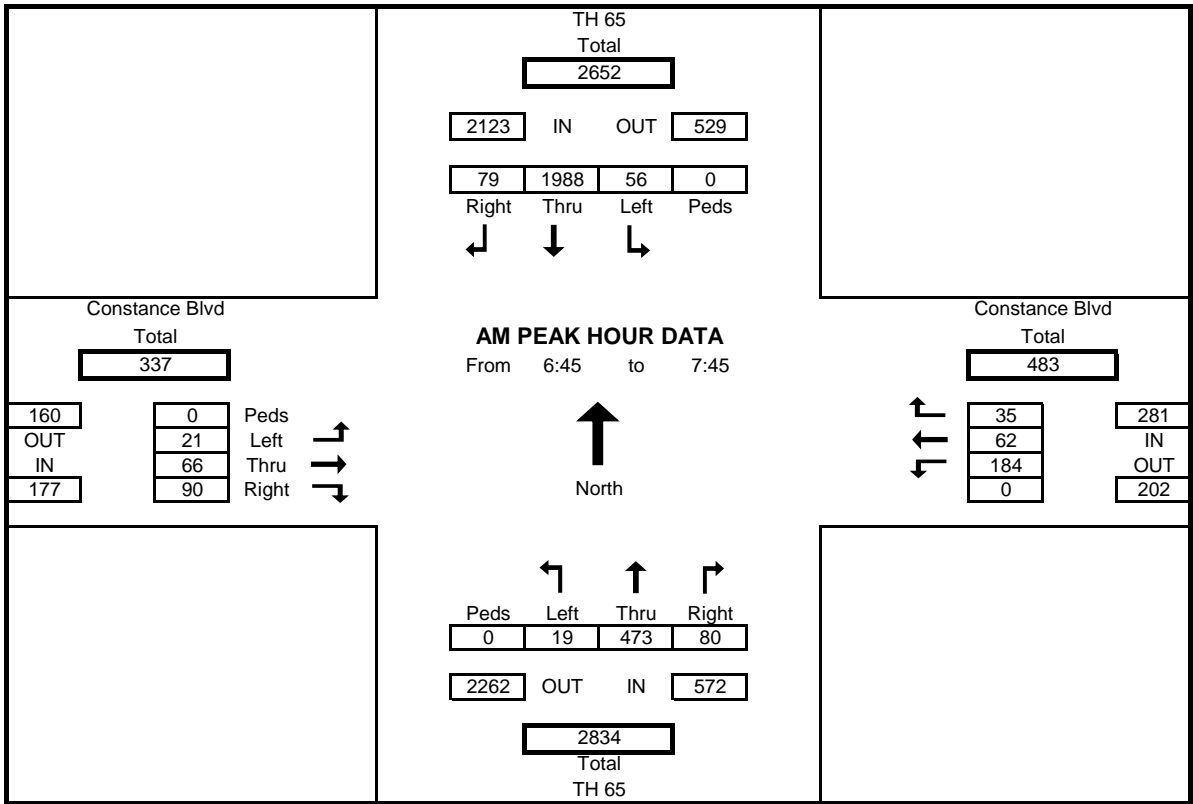


**AM PEAK HOUR TURNING MOVEMENT DATA**  
 All Vehicles

Start Time	TH 65 Southbound				Constance Blvd Westbound				TH 65 Northbound				Constance Blvd Eastbound				Int. Total
	Left	Thru	Right	Peds	Left	Thru	Right	Peds	Left	Thru	Right	Peds	Left	Thru	Right	Peds	
	6:45	8	513	28	0	47	14	3	0	5	93	17	0	3	12	21	
7:00	20	469	18	0	46	16	9	0	4	107	18	0	5	17	25	0	754
7:15	20	473	17	0	51	11	12	0	4	137	19	0	5	17	25	0	791
7:30	8	533	16	0	40	21	11	0	6	136	26	0	8	20	19	0	844
<b>Total</b>	<b>56</b>	<b>1988</b>	<b>79</b>	<b>0</b>	<b>184</b>	<b>62</b>	<b>35</b>	<b>0</b>	<b>19</b>	<b>473</b>	<b>80</b>	<b>0</b>	<b>21</b>	<b>66</b>	<b>90</b>	<b>0</b>	<b>3153</b>
% App. Total	2.6	93.6	3.7	0.0	8.7	2.9	1.6	0.0	0.9	22.3	3.8	0.0	1.0	3.1	4.2	0.0	
PHF	0.700	0.932	0.705	0.000	0.902	0.738	0.729	0.000	0.792	0.863	0.769	0.000	0.656	0.825	0.900	0.000	0.934

% Trucks	TH 65 Southbound	Constance Blvd Westbound	TH 65 Northbound	Constance Blvd Eastbound	Int. Total												
	3.7	1.5	3.9	0.0	13.6	5.1	0.0	0.0	18.8	5.8	8.1	0.0	23.5	0.0	4.7	0.0	3.4
	1.7				9.8				6.5				4.7				

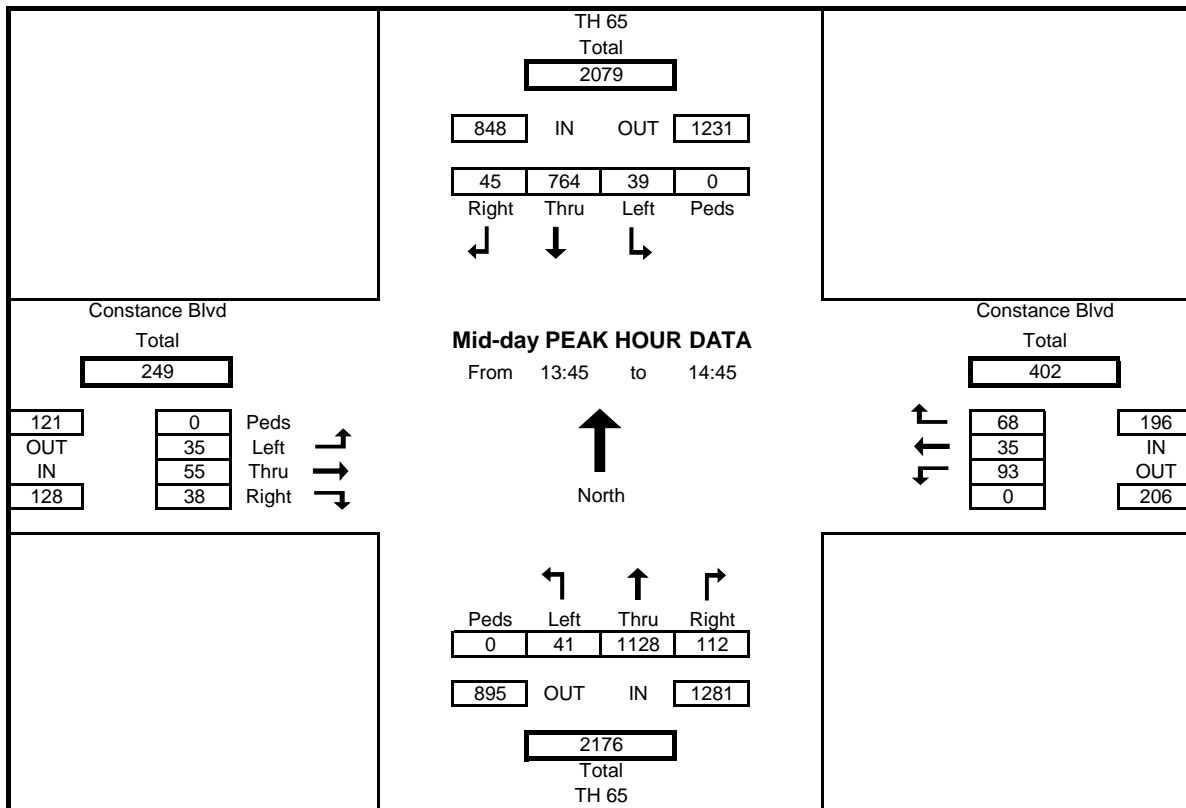


Location: TH 65 at Constance Blvd (CSAH 60)  
 Count Date: 4/4/2017  
 Counted By: JDA



**Mid-Day PEAK HOUR TURNING MOVEMENT DATA**  
 All Vehicles

Start Time	TH 65				Constance Blvd				TH 65				Constance Blvd				Int. Total
	Southbound				Westbound				Northbound				Eastbound				
	Left	Thru	Right	Peds	Left	Thru	Right	Peds	Left	Thru	Right	Peds	Left	Thru	Right	Peds	
13:45	8	192	8	0	24	9	14	0	12	240	18	0	11	13	9	0	558
14:00	10	204	18	0	29	9	14	0	8	261	25	0	4	12	11	0	605
14:15	13	180	13	0	22	7	21	0	12	301	38	0	5	14	9	0	635
14:30	8	188	6	0	18	10	19	0	9	326	31	0	15	16	9	0	655
Total	39	764	45	0	93	35	68	0	41	1128	112	0	35	55	38	0	2453
% App. Total	4.6	90.1	5.3	0.0	11.0	4.1	8.0	0.0	4.8	133.0	13.2	0.0	4.1	6.5	4.5	0.0	
PHF	0.750	0.936	0.625	0.000	0.802	0.875	0.810	0.000	0.854	0.865	0.737	0.000	0.583	0.859	0.864	0.000	0.936
% Trucks	0.0	5.5	7.1	0.0	25.7	6.1	3.0	0.0	2.5	2.7	5.7	0.0	6.1	7.8	2.7	0.0	4.7
	5.3				13.3				3.0				5.8				

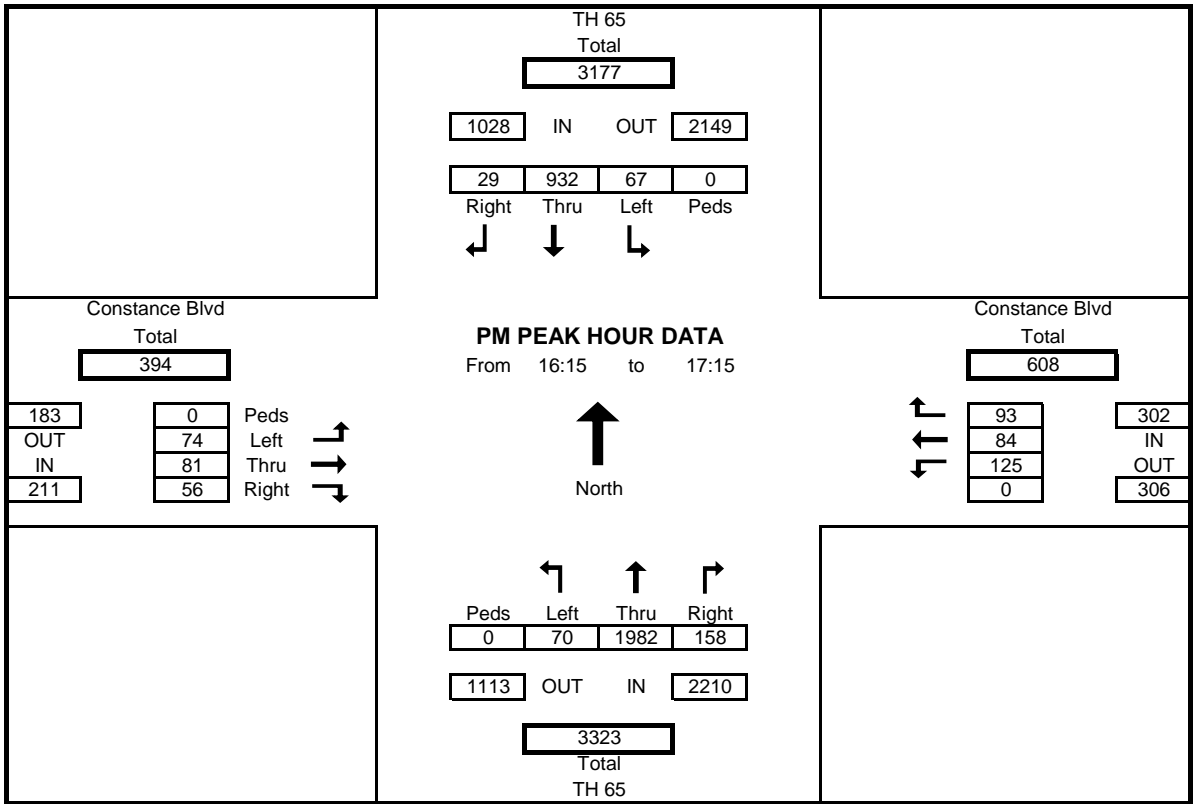


Location: TH 65 at Constance Blvd (CSAH 60)  
 Count Date: 4/4/2017  
 Counted By: JDA



**AM PEAK HOUR TURNING MOVEMENT DATA**  
 All Vehicles

Start Time	TH 65				Constance Blvd				TH 65				Constance Blvd				Int. Total
	Southbound				Westbound				Northbound				Eastbound				
	Left	Thru	Right	Peds	Left	Thru	Right	Peds	Left	Thru	Right	Peds	Left	Thru	Right	Peds	
16:15	14	194	4	0	34	28	28	0	16	434	35	0	23	20	11	0	841
16:30	20	283	9	0	26	17	15	0	13	535	49	0	17	16	17	0	1017
16:45	21	190	9	0	35	22	19	0	26	466	36	0	16	21	16	0	877
17:00	12	265	7	0	30	17	31	0	15	547	38	0	18	24	12	0	1016
Total	67	932	29	0	125	84	93	0	70	1982	158	0	74	81	56	0	3751
% App. Total	6.5	90.7	2.8	0.0	12.2	8.2	9.0	0.0	6.8	192.8	15.4	0.0	7.2	7.9	5.4	0.0	
PHF	0.798	0.823	0.806	0.000	0.893	0.750	0.750	0.000	0.673	0.906	0.806	0.000	0.804	0.844	0.824	0.000	0.922
% Trucks	1.5	4.8	3.6	0.0	9.6	3.7	0.0	0.0	1.4	1.1	0.6	0.0	2.8	1.3	0.0	0.0	2.3
	4.6				4.9				1.1				1.4				



Location: TH 65 at Constance Blvd (CSAH 60)  
 Count Date: 4/4/2017  
 Counted By: JDA



**TURNING MOVEMENT COUNT DATA**

Cars+

Start Time	TH 65				Constance Blvd				TH 65				Constance Blvd				Int. Total
	Southbound				Westbound				Northbound				Eastbound				
	Left	Thru	Right	Peds	Left	Thru	Right	Peds	Left	Thru	Right	Peds	Left	Thru	Right	Peds	
6:00	6	497	10	0	25	11	4	0	4	55	9	0	2	5	13	0	641
6:15	12	489	14	0	41	13	6	0	2	67	11	0	3	15	16	0	689
6:30	13	537	12	0	33	10	7	0	0	103	18	0	2	8	13	0	756
6:45	8	505	25	0	44	13	3	0	5	89	16	0	3	12	21	0	744
7:00	19	461	18	0	45	15	9	0	4	99	16	0	3	17	23	0	729
7:15	19	465	17	0	39	11	12	0	3	130	17	0	3	17	23	0	756
7:30	8	527	16	0	34	20	11	0	4	129	25	0	8	20	19	0	821
7:45	15	354	8	0	24	15	5	0	10	136	17	0	8	20	24	0	636
8:00	17	332	13	0	17	14	7	0	6	84	15	0	7	19	12	0	543
8:15	16	326	17	0	31	12	10	0	6	140	20	0	5	17	14	0	614
8:30	13	279	12	0	12	5	9	0	10	92	21	0	4	12	11	0	480
8:45	15	239	26	0	25	14	7	0	17	101	17	0	1	9	16	0	487
9:00	24	234	13	0	28	9	16	0	13	148	35	0	4	12	15	0	551
9:15	32	235	11	0	42	13	20	0	8	118	13	0	6	15	19	0	532
9:30	6	221	10	0	40	6	6	0	3	142	11	0	7	6	17	0	475
9:45	11	211	13	0	21	6	6	0	10	121	19	0	8	14	20	0	460
10:00	4	183	9	0	12	2	10	0	14	132	20	0	10	5	17	0	418
10:15	5	185	10	0	12	5	12	0	10	130	20	0	5	7	15	0	416
10:30	9	169	12	0	13	5	12	0	9	158	17	0	7	7	13	0	431
10:45	10	163	7	0	26	8	9	0	2	129	17	0	8	8	18	0	405
11:00	10	191	12	0	20	8	11	0	14	169	20	0	10	5	9	0	479
11:15	9	197	10	0	15	10	11	0	16	150	21	0	8	17	9	0	473
11:30	9	147	7	0	31	11	14	0	6	156	15	0	12	11	29	0	448
11:45	10	155	10	0	24	6	13	0	7	166	36	0	4	6	17	0	454
12:00	11	197	5	0	31	15	6	0	12	195	35	0	8	18	8	0	541
12:15	13	174	12	0	21	12	16	0	16	182	18	0	8	5	13	0	490
12:30	12	197	9	0	21	3	20	0	8	208	27	0	7	12	23	0	547
12:45	12	154	15	0	26	17	10	1	10	182	15	0	7	9	10	0	467
13:00	9	170	7	0	25	6	11	0	7	181	14	0	9	9	17	0	465
13:15	12	188	12	0	18	8	11	0	16	180	17	0	7	10	9	0	488
13:30	8	164	8	0	16	8	10	0	7	188	26	0	7	5	7	0	454
13:45	8	178	7	0	22	9	14	0	12	234	16	0	11	13	9	0	533
14:00	10	194	17	0	20	8	13	0	8	255	24	0	4	11	10	0	574
14:15	13	175	12	0	17	6	20	0	11	292	37	0	5	12	9	0	609
14:30	8	177	6	0	15	10	19	0	9	317	29	0	13	15	9	0	627
14:45	20	138	13	0	20	10	12	0	26	349	28	0	6	13	12	0	647
15:00	7	156	6	0	13	8	12	0	15	401	34	0	14	12	16	0	694
15:15	12	153	9	0	26	16	18	0	13	380	34	0	11	13	16	0	701
15:30	16	207	12	0	22	12	22	0	8	426	33	0	18	20	6	0	802
15:45	16	198	9	0	21	18	24	0	18	429	44	0	18	20	13	0	828
16:00	10	198	11	0	30	14	34	0	21	477	22	0	14	17	16	0	864
16:15	14	182	4	0	31	27	28	0	16	428	35	0	22	19	11	0	817
16:30	20	273	8	0	25	16	15	0	12	531	48	0	17	16	17	0	998
16:45	21	181	9	0	31	21	19	0	26	462	36	0	15	21	16	0	858
17:00	11	253	7	0	27	17	31	0	15	539	38	0	18	24	12	0	992
17:15	21	185	10	0	27	29	28	0	19	332	31	0	13	19	4	0	718
17:30	12	172	8	0	19	11	24	0	11	523	51	0	12	14	16	1	873
17:45	11	148	6	0	20	12	19	0	30	388	31	0	12	11	11	0	699
18:00	10	195	5	0	17	12	27	0	11	362	30	0	10	15	13	0	707
18:15	12	166	8	0	27	12	25	0	20	290	27	0	17	10	8	0	622
18:30	15	151	6	0	20	11	18	0	15	278	24	0	8	5	10	0	561
18:45	11	117	8	0	12	8	21	0	10	272	25	0	4	7	6	0	501
Total	655	12343	561	0	1274	598	757	1	585	12225	1275	0	453	659	730	1	32115
Cars+	655	12343	561	0	1274	598	757	1	585	12225	1275	0	453	659	730	1	32115
Trucks	16	528	27	2	232	33	20	0	26	413	69	0	21	22	39	0	1446
% Trucks	2.4	4.3	4.8	0.0	18.2	5.5	2.6	0.0	4.4	3.4	5.4	0.0	4.6	3.3	5.3	0.0	4.5
	4.2				10.8				3.6				4.5				

Location: TH 65 at Constance Blvd (CSAH 60)  
 Count Date: 4/4/2017  
 Counted By: JDA



**TURNING MOVEMENT COUNT DATA**  
**Heavy Vehicles**

Start Time	TH 65				Constance Blvd				TH 65				Constance Blvd				Int. Total
	Southbound				Westbound				Northbound				Eastbound				
	Left	Thru	Right	Bikes	Left	Thru	Right	Bikes	Left	Thru	Right	Bikes	Left	Thru	Right	Bikes	
6:00	0	6	0	0	0	0	0	0	0	6	1	0	1	1	0	0	15
6:15	0	13	0	0	1	0	0	0	0	3	0	0	2	0	0	0	19
6:30	0	5	2	0	0	0	0	0	0	4	0	0	0	0	2	0	13
6:45	0	8	3	0	3	1	0	0	0	4	1	0	0	0	0	0	20
7:00	1	8	0	0	1	1	0	0	0	8	2	0	2	0	2	0	25
7:15	1	8	0	0	12	0	0	0	1	7	2	0	2	0	2	0	35
7:30	0	6	0	0	6	1	0	0	2	7	1	0	0	0	0	0	23
7:45	0	22	1	0	9	1	0	0	0	6	0	0	0	0	3	0	42
8:00	1	11	0	0	14	1	0	0	2	11	2	0	0	1	1	0	44
8:15	0	11	0	0	5	0	1	0	2	9	4	0	0	2	1	0	35
8:30	0	19	0	0	6	0	0	0	3	9	3	0	1	1	1	0	43
8:45	0	12	1	0	5	0	0	0	2	8	1	0	0	0	5	0	34
9:00	2	11	0	0	7	0	1	0	2	10	5	0	0	1	2	0	41
9:15	0	8	0	0	7	11	1	0	1	10	2	0	0	1	0	0	41
9:30	0	10	0	0	11	1	2	0	1	8	3	0	0	2	2	0	40
9:45	1	12	0	0	2	0	2	0	0	12	2	0	0	1	1	0	33
10:00	0	9	0	0	7	0	0	0	1	17	2	0	0	0	1	0	37
10:15	0	6	1	0	6	0	0	0	1	10	1	0	0	0	0	0	25
10:30	2	9	1	0	7	1	0	0	0	11	4	0	0	0	1	0	36
10:45	1	15	0	0	5	1	2	0	0	9	3	0	1	2	1	0	40
11:00	0	17	0	0	7	1	0	0	0	14	1	0	0	1	0	0	41
11:15	0	16	0	0	9	0	1	0	1	10	2	0	0	0	1	0	40
11:30	1	16	2	0	4	1	0	0	0	9	0	0	0	0	0	0	33
11:45	0	14	2	0	6	0	0	0	0	8	0	0	0	0	0	0	30
12:00	0	14	0	0	7	0	0	0	0	18	1	0	0	0	2	0	42
12:15	1	16	0	0	4	1	0	0	0	7	0	0	0	0	0	0	29
12:30	0	12	0	0	6	1	0	0	1	21	0	0	0	0	0	0	41
12:45	0	12	0	0	7	0	1	0	0	7	2	0	1	0	2	0	32
13:00	0	5	0	0	8	0	0	0	0	9	3	0	0	0	4	0	29
13:15	0	12	2	0	2	2	1	0	0	9	2	0	0	0	0	0	30
13:30	0	10	1	0	3	0	0	0	0	9	0	0	0	0	0	0	23
13:45	0	14	1	0	2	0	0	0	0	6	2	0	0	0	0	0	25
14:00	0	10	1	0	9	1	1	0	0	6	1	0	0	1	1	0	31
14:15	0	5	1	0	5	1	1	0	1	9	1	0	0	2	0	0	26
14:30	0	11	0	0	3	0	0	0	0	9	2	0	2	1	0	0	28
14:45	1	10	2	0	3	0	0	0	0	4	2	0	1	1	0	0	24
15:00	2	11	0	0	4	2	0	0	0	7	1	0	0	1	1	0	29
15:15	0	15	1	0	5	0	0	0	1	20	2	0	0	1	1	0	46
15:30	0	8	1	0	1	0	1	0	0	9	3	0	0	1	0	0	24
15:45	0	8	1	0	4	0	2	0	0	5	1	0	1	0	1	0	23
16:00	0	13	1	0	5	0	2	0	0	9	0	0	0	0	1	0	31
16:15	0	12	0	0	3	1	0	0	0	6	0	0	1	1	0	0	24
16:30	0	10	1	0	1	1	0	0	1	4	1	0	0	0	0	0	19
16:45	0	9	0	0	4	1	0	0	0	4	0	0	1	0	0	0	19
17:00	1	12	0	0	3	0	0	0	0	8	0	0	0	0	0	0	24
17:15	0	5	1	2	1	0	0	0	1	1	0	0	1	0	0	0	10
17:30	0	6	0	0	2	0	0	0	0	4	1	0	0	0	0	0	13
17:45	0	6	0	0	0	1	0	0	0	4	0	0	0	0	0	0	11
18:00	0	2	0	0	0	0	0	0	1	3	1	0	3	0	0	0	10
18:15	1	4	0	0	0	0	0	0	0	1	0	0	0	0	0	0	6
18:30	0	1	0	0	0	0	0	0	1	1	1	0	0	0	0	0	4
18:45	0	3	0	0	0	0	1	0	0	3	0	0	1	0	0	0	8
Total	16	528	27	2	232	33	20	0	26	413	69	0	21	22	39	0	1446
Cars+	655	12343	561	0	1274	598	757	1	585	12225	1275	0	453	659	730	1	32115
Trucks	16	528	27	2	232	33	20	0	26	413	69	0	21	22	39	0	1446
% Trucks	2.4	4.3	4.8	#DIV/0!	18.2	5.5	2.6	0.0	4.4	3.4	5.4	0.0	4.6	3.3	5.3	0.0	4.5
		4.2				10.8				3.6				4.5			