

# MN Dept of Transportation

TRAFFIC DATA COLLECTION - Metro

TH-7 at Wooddale Ave ST LOUIS PARK File Name : TH-7 at Wooddale Ave NORTH RAMPS 2015 may  
 Ref.Pt.: 193.705 Site Code :  
 video MR Start Date : 5/5/2015  
 TURN MOVEMENT COUNT Page No : 1

Groups Printed- Cars +

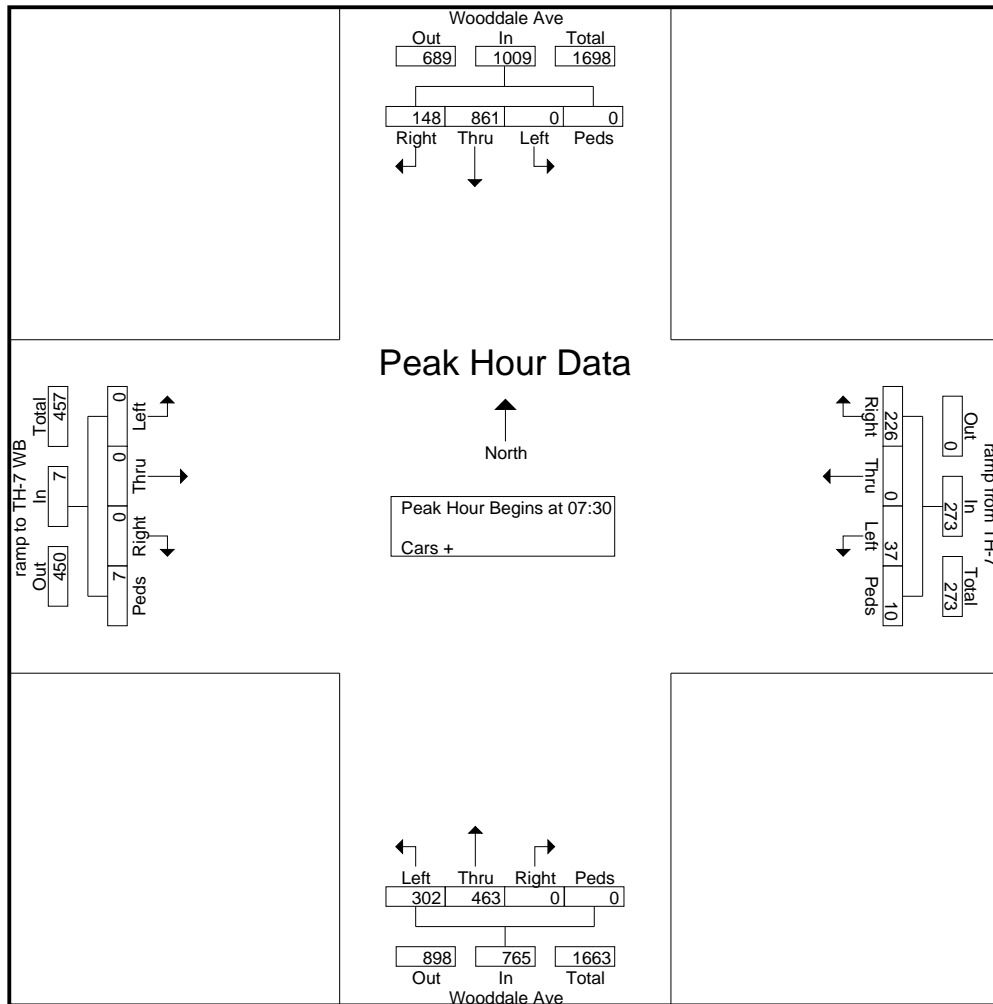
Start Time	Wooddale Ave Southbound				ramp from TH-7 Westbound				Wooddale Ave Northbound				ramp to TH-7 WB Eastbound				Int. Total	
	Left	Thru	Right	Peds	Left	Thru	Right	Peds	Left	Thru	Right	Peds	Left	Thru	Right	Peds		
06:00	0	61	3	0	13	0	13	0	10	10	0	0	0	0	0	0	2	112
06:15	0	72	13	0	19	0	27	1	15	36	0	0	0	0	0	0	0	183
06:30	0	98	18	0	27	0	29	1	25	27	0	0	0	0	0	0	0	225
06:45	0	139	24	0	26	1	37	1	38	38	0	0	0	0	0	0	1	305
Total	0	370	58	0	85	1	106	3	88	111	0	0	0	0	0	0	3	825
07:00	0	170	29	0	24	0	29	3	40	58	0	0	0	0	0	0	1	354
07:15	0	183	32	0	15	1	34	1	50	86	0	0	0	0	0	0	1	403
07:30	0	217	31	0	7	0	49	3	64	111	0	0	0	0	0	0	1	483
07:45	0	229	31	0	11	0	48	2	84	108	0	0	0	0	0	0	1	514
Total	0	799	123	0	57	1	160	9	238	363	0	0	0	0	0	0	4	1754
08:00	0	198	39	0	7	0	66	3	89	140	0	0	0	0	0	0	2	544
08:15	0	217	47	0	12	0	63	2	65	104	0	0	0	0	0	0	3	513
08:30	0	221	34	0	17	1	45	4	65	92	0	0	0	0	0	0	0	479
08:45	1	181	21	0	10	0	48	1	52	71	0	0	0	0	0	0	1	386
Total	1	817	141	0	46	1	222	10	271	407	0	0	0	0	0	0	6	1922
*****BREAK*****																		
15:00	0	192	42	0	16	1	79	0	74	133	0	0	0	0	0	0	0	537
15:15	0	228	36	0	5	0	55	0	77	130	0	0	0	0	0	0	0	531
15:30	0	165	19	0	29	0	52	0	84	115	0	0	0	0	0	0	0	464
15:45	0	162	25	0	19	2	54	0	69	118	0	0	0	0	0	0	0	449
Total	0	747	122	0	69	3	240	0	304	496	0	0	0	0	0	0	0	1981
16:00	0	190	21	0	17	0	59	0	84	154	0	0	0	0	0	0	0	525
16:15	0	196	25	0	17	0	64	0	73	127	0	0	0	0	0	0	0	502
16:30	0	196	32	0	7	2	70	0	86	147	0	0	0	0	0	0	0	540
16:45	0	207	22	0	12	0	62	0	77	143	1	0	0	0	0	0	0	524
Total	0	789	100	0	53	2	255	0	320	571	1	0	0	0	0	0	0	2091
17:00	0	218	37	0	9	1	71	0	76	167	0	0	0	0	0	0	0	579
17:15	1	209	23	0	14	0	64	0	84	159	0	0	0	0	0	0	0	554
17:30	0	240	25	0	11	0	73	0	72	160	0	0	0	0	0	0	0	581
17:45	0	213	28	0	18	0	77	0	88	153	0	0	0	0	0	0	0	577
Total	1	880	113	0	52	1	285	0	320	639	0	0	0	0	0	0	0	2291
Grand Total	2	4402	657	0	362	9	1268	22	1541	2587	1	0	0	0	0	0	13	10864
Apprch %	0	87	13	0	21.8	0.5	76.3	1.3	37.3	62.7	0	0	0	0	0	0	100	
Total %	0	40.5	6	0	3.3	0.1	11.7	0.2	14.2	23.8	0	0	0	0	0	0.1		

# MN Dept of Transportation

TRAFFIC DATA COLLECTION - Metro

TH-7 at Wooddale Ave ST LOUIS PARK File Name : TH-7 at Wooddale Ave NORTH RAMPS 2015 may  
 Ref.Pt.: 193.705 Site Code :  
 video MR Start Date : 5/5/2015  
 TURN MOVEMENT COUNT Page No : 2

Start Time	Wooddale Ave Southbound					ramp from TH-7 Westbound					Wooddale Ave Northbound					ramp to TH-7 WB Eastbound					Int. Total
	Left	Thru	Right	Peds	App. Total	Left	Thru	Right	Peds	App. Total	Left	Thru	Right	Peds	App. Total	Left	Thru	Right	Peds	App. Total	
Peak Hour Analysis From 06:00 to 11:45 - Peak 1 of 1																					
Peak Hour for Entire Intersection Begins at 07:30																					
07:30	0	217	31	0	248	7	0	49	3	59	64	111	0	0	175	0	0	0	1	1	483
07:45	0	229	31	0	260	11	0	48	2	61	84	108	0	0	192	0	0	0	1	1	514
08:00	0	198	39	0	237	7	0	66	3	76	89	140	0	0	229	0	0	0	2	2	544
08:15	0	217	47	0	264	12	0	63	2	77	65	104	0	0	169	0	0	0	3	3	513
Total Volume	0	861	148	0	1009	37	0	226	10	273	302	463	0	0	765	0	0	0	7	7	2054
% App. Total	0	85.3	14.7	0		13.6	0	82.8	3.7		39.5	60.5	0	0		0	0	0	100		
PHF	.000	.940	.787	.000	.955	.771	.000	.856	.833	.886	.848	.827	.000	.000	.835	.000	.000	.000	.583	.583	.944



# MN Dept of Transportation

TRAFFIC DATA COLLECTION - Metro

TH-7 at Wooddale Ave ST LOUIS PARK File Name : TH-7 at Wooddale Ave NORTH RAMPS 2015 may  
 Ref.Pt.: 193.705 Site Code :  
 video MR Start Date : 5/5/2015  
 TURN MOVEMENT COUNT Page No : 3

Start Time	Wooddale Ave Southbound					ramp from TH-7 Westbound					Wooddale Ave Northbound					ramp to TH-7 WB Eastbound					Int. Total
	Left	Thru	Right	Peds	App. Total	Left	Thru	Right	Peds	App. Total	Left	Thru	Right	Peds	App. Total	Left	Thru	Right	Peds	App. Total	
Peak Hour Analysis From 12:00 to 17:45 - Peak 1 of 1																					
Peak Hour for Entire Intersection Begins at 17:00																					
17:00	0	218	37	0	255	9	1	71	0	81	76	167	0	0	243	0	0	0	0	0	579
17:15	1	209	23	0	233	14	0	64	0	78	84	159	0	0	243	0	0	0	0	0	554
17:30	0	240	25	0	265	11	0	73	0	84	72	160	0	0	232	0	0	0	0	0	581
17:45	0	213	28	0	241	18	0	77	0	95	88	153	0	0	241	0	0	0	0	0	577
Total Volume	1	880	113	0	994	52	1	285	0	338	320	639	0	0	959	0	0	0	0	0	2291
% App. Total	0.1	88.5	11.4	0		15.4	0.3	84.3	0		33.4	66.6	0	0		0	0	0	0		
PHF	.250	.917	.764	.000	.938	.722	.250	.925	.000	.889	.909	.957	.000	.000	.987	.000	.000	.000	.000	.000	.986

