



MINNESOTA DEPT OF TRANSPORTATION

TRAFFIC DATA COLLECTION - METRO

MN-95 AT FLINK AVE./TANGER DR.
 REF.PT.: 054.255
 DATA COLLECTED BY TDI
 TURN MOVEMENT COUNT

File Name : TH-95 AT FLINK AVE TANGER DR 2007
 Site Code : 00198751
 Start Date : 6/5/2007
 Page No : 1

Groups Printed- Unshifted

Start Time	Flink Ave Southbound				MN-95 Westbound				Tanger Drive Northbound				MN-95 Eastbound				Int. Total
	Left	Thru	Right	Peds	Left	Thru	Right	Peds	Left	Thru	Right	Peds	Left	Thru	Right	Peds	
06:00	19	1	1	0	10	45	2	0	0	0	12	0	0	106	5	0	201
06:15	25	2	1	0	10	38	5	0	4	1	16	0	0	101	4	0	207
06:30	25	0	3	0	7	75	7	0	1	0	10	0	4	119	5	0	256
06:45	26	1	2	0	9	69	7	0	1	0	14	0	2	115	8	0	254
Total	95	4	7	0	36	227	21	0	6	1	52	0	6	441	22	0	918
07:00	20	1	4	0	15	75	9	2	0	1	11	0	1	113	5	0	257
07:15	43	1	4	0	11	78	5	0	2	0	9	3	5	124	5	3	293
07:30	39	1	4	0	19	80	10	0	4	0	18	4	4	159	7	4	353
07:45	27	2	3	0	37	82	19	0	2	0	17	0	5	156	6	1	357
Total	129	5	15	0	82	315	43	2	8	1	55	7	15	552	23	8	1260
08:00	25	4	4	0	29	92	17	0	2	3	17	0	5	107	4	0	309
08:15	22	2	1	0	31	86	13	0	5	5	18	1	2	95	8	1	290
08:30	14	3	2	0	21	87	10	0	2	1	16	0	4	82	7	0	249
08:45	14	3	3	0	26	66	10	0	3	1	13	0	3	98	6	0	246
Total	75	12	10	0	107	331	50	0	12	10	64	1	14	382	25	1	1094
*** BREAK ***																	
11:00	18	1	1	0	30	60	11	0	6	2	42	0	2	91	6	0	270
11:15	23	3	1	0	44	82	9	0	8	7	28	0	3	76	5	0	289
11:30	16	4	3	0	50	69	20	0	12	3	46	1	2	78	7	0	311
11:45	16	10	3	0	62	87	14	0	4	3	65	0	1	96	11	0	372
Total	73	18	8	0	186	298	54	0	30	15	181	1	8	341	29	0	1242
12:00	7	5	4	0	66	80	24	0	11	4	44	0	4	70	14	0	333
12:15	23	1	1	0	34	84	22	0	16	5	58	0	5	72	11	0	332
12:30	14	6	1	0	67	90	18	0	13	6	55	0	3	85	14	0	372
12:45	23	3	3	0	57	70	18	0	16	1	57	0	3	80	13	0	344
Total	67	15	9	0	224	324	82	0	56	16	214	0	15	307	52	0	1381
*** BREAK ***																	
15:00	19	2	6	0	46	132	28	0	7	2	49	0	4	92	9	0	396
15:15	13	3	3	0	48	125	30	0	11	2	43	0	6	91	7	0	382
15:30	25	10	9	2	36	113	24	0	7	13	40	0	4	103	7	0	393
15:45	16	1	2	0	51	143	25	0	9	7	53	2	6	105	10	2	432
Total	73	16	20	2	181	513	107	0	34	24	185	2	20	391	33	2	1603
16:00	20	3	3	0	63	150	28	0	14	7	52	2	9	103	9	2	465
16:15	12	4	6	0	49	152	43	0	20	7	38	0	2	123	6	0	462
16:30	18	2	7	0	48	148	34	0	19	4	48	1	3	114	10	0	456
16:45	24	6	5	0	66	154	28	0	9	7	51	0	6	121	17	0	494
Total	74	15	21	0	226	604	133	0	62	25	189	3	20	461	42	2	1877
17:00	32	7	8	0	41	144	41	0	14	7	48	0	7	110	10	0	469
17:15	31	3	5	0	49	165	21	0	17	11	46	0	5	118	7	0	478
17:30	12	5	5	0	42	142	34	0	13	3	51	0	7	142	9	0	465
17:45	51	1	3	0	45	123	34	0	16	3	49	0	8	145	10	0	488
Total	126	16	21	0	177	574	130	0	60	24	194	0	27	515	36	0	1900



MINNESOTA DEPT OF TRANSPORTATION
TRAFFIC DATA COLLECTION - METRO

MN-95 AT FLINK AVE./TANGER DR.
REF.PT.: 054.255
DATA COLLECTED BY TDI
TURN MOVEMENT COUNT

File Name : TH-95 AT FLINK AVE TANGER DR 2007
Site Code : 00198751
Start Date : 6/5/2007
Page No : 2

Groups Printed- Unshifted

	Flink Ave Southbound				MN-95 Westbound				Tanger Drive Northbound				MN-95 Eastbound				Int. Total
	Left	Thru	Right	Peds	Left	Thru	Right	Peds	Left	Thru	Right	Peds	Left	Thru	Right	Peds	
Grand Total	712	101	111	2	1219	3186	620	2	268	116	1134	14	125	3390	262	13	11275
Apprch %	76.9	10.9	12	0.2	24.2	63.4	12.3	0	17.5	7.6	74	0.9	3.3	89.4	6.9	0.3	
Total %	6.3	0.9	1	0	10.8	28.3	5.5	0	2.4	1	10.1	0.1	1.1	30.1	2.3	0.1	



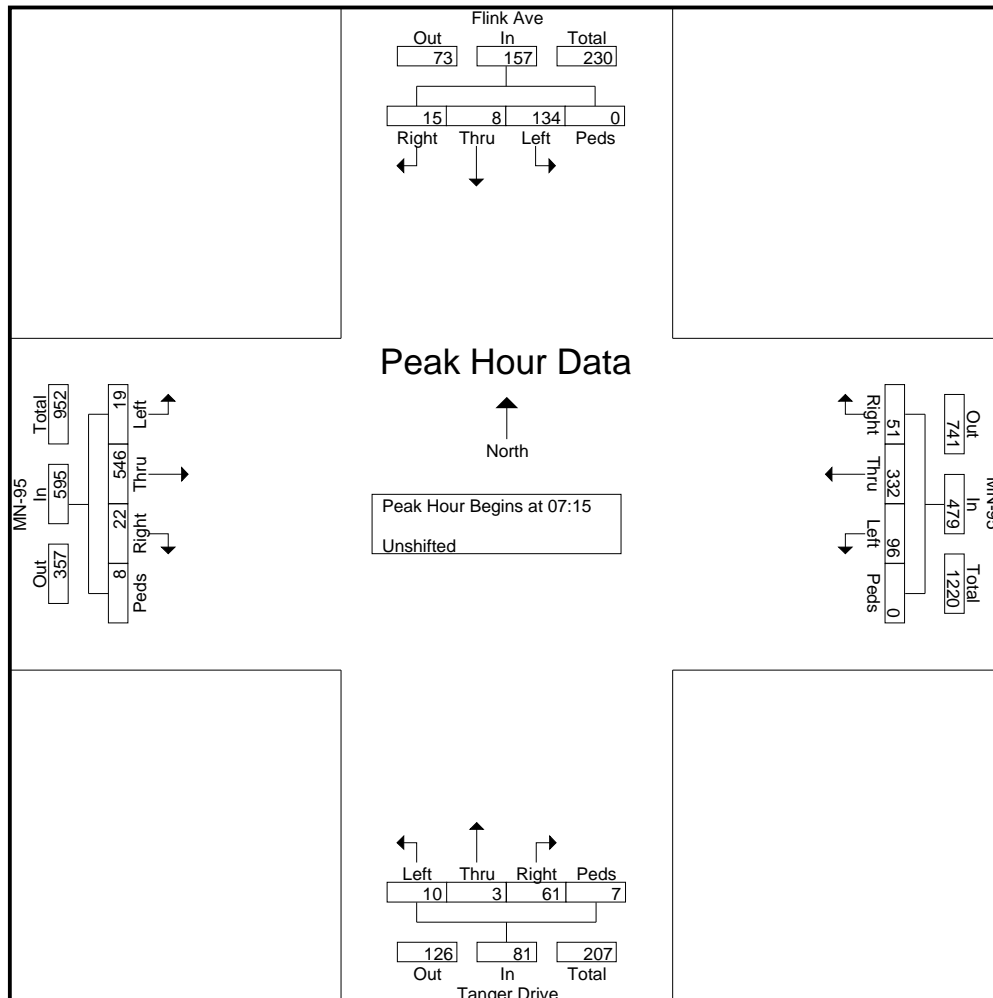
MINNESOTA DEPT OF TRANSPORTATION

TRAFFIC DATA COLLECTION - METRO

MN-95 AT FLINK AVE./TANGER DR.
 REF.PT.: 054.255
 DATA COLLECTED BY TDI
 TURN MOVEMENT COUNT

File Name : TH-95 AT FLINK AVE TANGER DR 2007
 Site Code : 00198751
 Start Date : 6/5/2007
 Page No : 3

Start Time	Flink Ave Southbound					MN-95 Westbound					Tanger Drive Northbound					MN-95 Eastbound					Int. Total
	Left	Thru	Right	Peds	App. Total	Left	Thru	Right	Peds	App. Total	Left	Thru	Right	Peds	App. Total	Left	Thru	Right	Peds	App. Total	
Peak Hour Analysis From 06:00 to 08:45 - Peak 1 of 1																					
Peak Hour for Entire Intersection Begins at 07:15																					
07:15	43	1	4	0	48	11	78	5	0	94	2	0	9	3	14	5	124	5	3	137	293
07:30	39	1	4	0	44	19	80	10	0	109	4	0	18	4	26	4	159	7	4	174	353
07:45	27	2	3	0	32	37	82	19	0	138	2	0	17	0	19	5	156	6	1	168	357
08:00	25	4	4	0	33	29	92	17	0	138	2	3	17	0	22	5	107	4	0	116	309
Total Volume	134	8	15	0	157	96	332	51	0	479	10	3	61	7	81	19	546	22	8	595	1312
% App. Total	85.4	5.1	9.6	0		20	69.3	10.6	0		12.3	3.7	75.3	8.6		3.2	91.8	3.7	1.3		
PHF	.779	.500	.938	.000	.818	.649	.902	.671	.000	.868	.625	.250	.847	.438	.779	.950	.858	.786	.500	.855	.919





MINNESOTA DEPT OF TRANSPORTATION

TRAFFIC DATA COLLECTION - METRO

MN-95 AT FLINK AVE./TANGER DR.
 REF.PT.: 054.255
 DATA COLLECTED BY TDI
 TURN MOVEMENT COUNT

File Name : TH-95 AT FLINK AVE TANGER DR 2007
 Site Code : 00198751
 Start Date : 6/5/2007
 Page No : 4

Start Time	Flink Ave Southbound					MN-95 Westbound					Tanger Drive Northbound					MN-95 Eastbound					Int. Total
	Left	Thru	Right	Peds	App. Total	Left	Thru	Right	Peds	App. Total	Left	Thru	Right	Peds	App. Total	Left	Thru	Right	Peds	App. Total	
Peak Hour Analysis From 15:00 to 17:45 - Peak 1 of 1																					
Peak Hour for Entire Intersection Begins at 16:45																					
16:45	24	6	5	0	35	66	154	28	0	248	9	7	51	0	67	6	121	17	0	144	494
17:00	32	7	8	0	47	41	144	41	0	226	14	7	48	0	69	7	110	10	0	127	469
17:15	31	3	5	0	39	49	165	21	0	235	17	11	46	0	74	5	118	7	0	130	478
17:30	12	5	5	0	22	42	142	34	0	218	13	3	51	0	67	7	142	9	0	158	465
Total Volume	99	21	23	0	143	198	605	124	0	927	53	28	196	0	277	25	491	43	0	559	1906
% App. Total	69.2	14.7	16.1	0		21.4	65.3	13.4	0		19.1	10.1	70.8	0		4.5	87.8	7.7	0		
PHF	.773	.750	.719	.000	.761	.750	.917	.756	.000	.934	.779	.636	.961	.000	.936	.893	.864	.632	.000	.884	.965

