

Alliant Engineering, Inc

233 Park Ave Suite 300

Minneapolis, MN 55415

--TRAFFIC DATA --

TH-95 at Nelson Street

Ref.Pt.: 22.533

data by : Alliant Inc.

TURN MOVEMENT COUNT

File Name : 323_TH 95 & Nelson St

Site Code : 323

Start Date : 11/14/2017

Page No : 1

Groups Printed- Vehicles - Trucks

Start Time	TH 95 From North				Nelson St From East				TH 95 From South				Nelson St From West				Int. Total
	Other	Left	Thru	Rght	Other	Left	Thru	Rght	Other	Left	Thru	Rght	Other	Left	Thru	Rght	
06:00 AM	0	1	37	0	0	0	0	0	0	1	18	1	0	0	0	1	59
06:15 AM	0	0	39	1	0	1	0	1	0	1	33	1	0	0	0	0	77
06:30 AM	0	0	53	1	0	1	0	0	0	3	47	0	0	0	0	2	107
06:45 AM	0	1	57	0	0	1	0	1	0	3	48	1	0	0	0	0	112
Total	0	2	186	2	0	3	0	2	0	8	146	3	0	0	0	3	355
07:00 AM	0	1	59	0	0	2	0	0	0	2	50	0	0	0	0	2	116
07:15 AM	0	2	55	1	0	3	0	2	0	2	50	1	0	0	2	2	120
07:30 AM	0	3	97	0	0	2	0	1	0	2	88	5	0	0	0	1	199
07:45 AM	0	1	51	0	0	1	0	1	0	3	75	5	0	0	0	3	140
Total	0	7	262	1	0	8	0	4	0	9	263	11	0	0	2	8	575
08:00 AM	0	3	72	1	0	0	0	2	0	2	75	5	0	0	0	0	160
08:15 AM	0	3	65	0	0	0	1	1	0	2	57	5	0	0	0	1	135
08:30 AM	0	2	53	3	0	4	0	3	0	2	120	9	0	0	0	1	197
08:45 AM	1	1	56	1	0	3	1	0	0	3	80	5	0	0	0	1	152
Total	1	9	246	5	0	7	2	6	0	9	332	24	0	0	0	3	644
09:00 AM	0	5	74	1	0	3	0	2	0	3	51	5	0	1	1	3	149
09:15 AM	0	3	64	0	0	2	0	1	0	0	68	4	0	0	0	1	143
*** BREAK ***																	
Total	0	8	138	1	0	5	0	3	0	3	119	9	0	1	1	4	292
*** BREAK ***																	
10:30 AM	0	2	51	2	0	3	0	1	0	1	52	7	0	0	2	1	122
10:45 AM	0	3	60	1	0	10	2	7	0	3	49	7	0	0	0	0	142
Total	0	5	111	3	0	13	2	8	0	4	101	14	0	0	2	1	264
11:00 AM	1	6	71	0	0	5	0	3	0	5	65	8	0	0	1	1	166
11:15 AM	0	8	54	1	0	4	2	4	0	3	49	8	0	0	2	3	138
11:30 AM	0	4	68	4	0	6	0	11	0	2	45	8	0	0	1	2	151
11:45 AM	0	6	61	1	0	1	1	4	0	1	64	5	0	0	1	1	146
Total	1	24	254	6	0	16	3	22	0	11	223	29	0	0	5	7	601
12:00 PM	0	7	60	1	0	7	1	4	0	2	56	4	0	0	0	1	143
12:15 PM	0	5	65	2	0	5	0	4	0	2	54	6	0	1	0	0	144
12:30 PM	0	3	57	1	0	4	1	3	0	2	52	3	0	1	0	4	131
12:45 PM	0	5	63	0	0	2	1	3	0	0	59	5	0	0	2	1	141
Total	0	20	245	4	0	18	3	14	0	6	221	18	0	2	2	6	559
01:00 PM	0	6	57	2	0	4	0	4	0	0	55	7	0	0	1	3	139
01:15 PM	0	2	61	1	0	8	0	10	0	1	52	4	0	0	2	1	142
*** BREAK ***																	
Total	0	8	118	3	0	12	0	14	0	1	107	11	0	0	3	4	281
*** BREAK ***																	
02:30 PM	0	1	51	0	0	7	0	6	0	1	64	6	0	0	1	7	144
02:45 PM	0	3	58	2	0	12	4	4	0	0	91	2	0	0	0	3	179
Total	0	4	109	2	0	19	4	10	0	1	155	8	0	0	1	10	323
03:00 PM	0	2	60	0	0	8	1	1	0	2	60	5	0	0	0	0	139
03:15 PM	0	0	65	0	0	3	0	2	0	0	85	4	0	0	2	3	164
03:30 PM	0	3	70	1	0	7	1	2	0	4	89	1	0	0	2	6	186
03:45 PM	0	6	87	0	0	6	1	2	0	2	81	9	0	0	1	6	201
Total	0	11	282	1	0	24	3	7	0	8	315	19	0	0	5	15	690
04:00 PM	1	2	59	1	0	6	2	6	0	0	81	4	0	0	1	1	164
04:15 PM	0	2	114	1	0	9	1	2	0	1	70	4	0	0	1	0	205
04:30 PM	0	3	93	1	0	6	1	4	0	0	83	1	0	0	2	0	194
04:45 PM	0	1	93	1	0	8	0	2	0	0	65	4	0	0	0	3	177
Total	1	8	359	4	0	29	4	14	0	1	299	13	0	0	4	4	740

Alliant Engineering, Inc

233 Park Ave Suite 300

Minneapolis, MN 55415

--TRAFFIC DATA --

TH-95 at Nelson Street
 Ref.Pt.: 22.533
 data by : Alliant Inc.
 TURN MOVEMENT COUNT

File Name : 323_TH 95 & Nelson St
 Site Code : 323
 Start Date : 11/14/2017
 Page No : 2

Groups Printed- Vehicles - Trucks

Start Time	TH 95 From North				Nelson St From East				TH 95 From South				Nelson St From West				Int. Total
	Other	Left	Thru	Rght	Other	Left	Thru	Rght	Other	Left	Thru	Rght	Other	Left	Thru	Rght	
05:00 PM	0	4	96	5	0	9	3	4	0	0	85	1	0	0	1	5	213
05:15 PM	0	5	94	0	0	7	2	2	0	2	84	1	0	0	0	4	201
05:30 PM	0	7	62	0	0	5	0	1	0	1	79	2	0	0	0	1	158
05:45 PM	0	2	71	1	0	7	0	3	0	0	75	6	0	0	2	1	168
Total	0	18	323	6	0	28	5	10	0	3	323	10	0	0	3	11	740
Grand Total	3	124	2633	38	0	182	26	114	0	64	2604	169	0	3	28	76	6064
Apprch %	0.1	4.4	94.1	1.4	0	56.5	8.1	35.4	0	2.3	91.8	6	0	2.8	26.2	71	
Total %	0	2	43.4	0.6	0	3	0.4	1.9	0	1.1	42.9	2.8	0	0	0.5	1.3	
Vehicles	2	119	2414	38	0	175	25	109	0	61	2451	165	0	0	27	75	5661
% Vehicles	66.7	96	91.7	100	0	96.2	96.2	95.6	0	95.3	94.1	97.6	0	0	96.4	98.7	93.4
Trucks	1	5	219	0	0	7	1	5	0	3	153	4	0	3	1	1	403
% Trucks	33.3	4	8.3	0	0	3.8	3.8	4.4	0	4.7	5.9	2.4	0	100	3.6	1.3	6.6

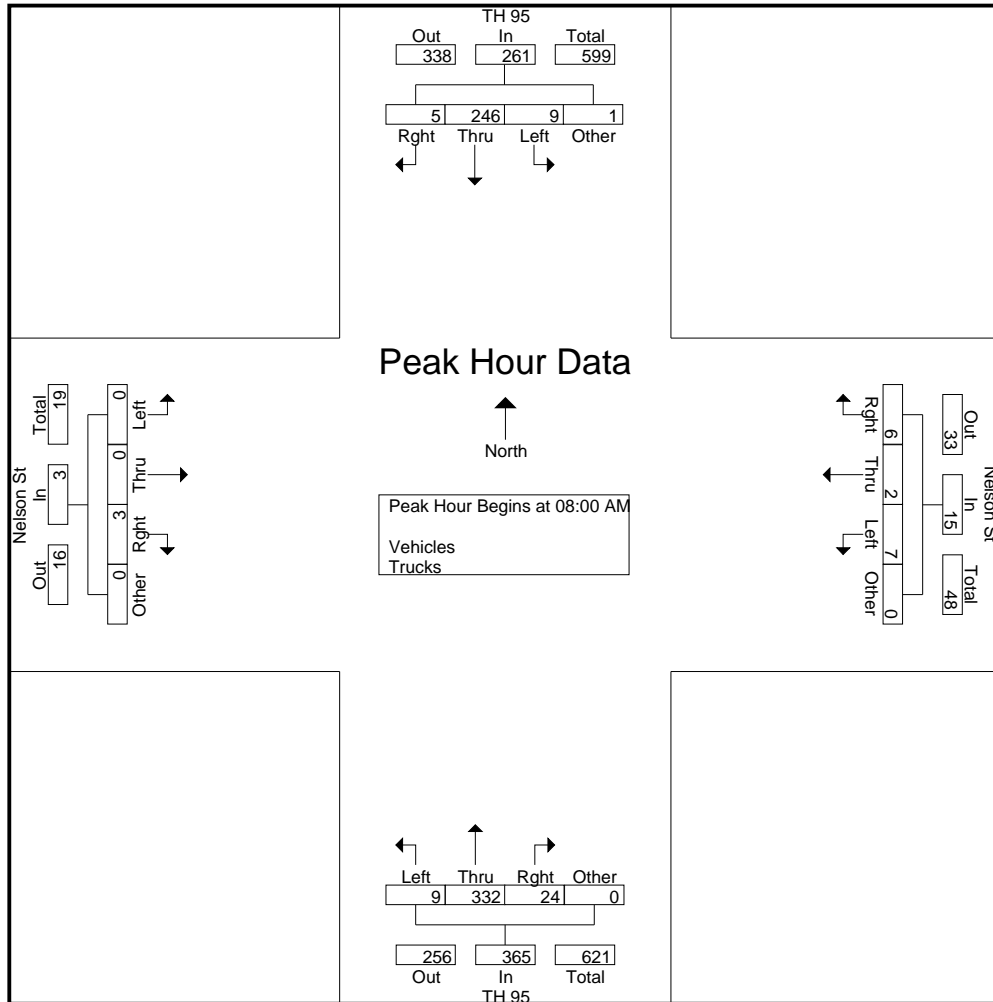
Alliant Engineering, Inc

233 Park Ave Suite 300
 Minneapolis, MN 55415
 --TRAFFIC DATA --

TH-95 at Nelson Street
 Ref.Pt.: 22.533
 data by : Alliant Inc.
 TURN MOVEMENT COUNT

File Name : 323_TH 95 & Nelson St
 Site Code : 323
 Start Date : 11/14/2017
 Page No : 3

Start Time	TH 95 From North					Nelson St From East					TH 95 From South					Nelson St From West					Int. Total
	Other	Left	Thru	Rght	App. Total	Other	Left	Thru	Rght	App. Total	Other	Left	Thru	Rght	App. Total	Other	Left	Thru	Rght	App. Total	
Peak Hour Analysis From 06:00 AM to 11:45 AM - Peak 1 of 1																					
Peak Hour for Entire Intersection Begins at 08:00 AM																					
08:00 AM	0	3	72	1	76	0	0	0	2	2	0	2	75	5	82	0	0	0	0	0	160
08:15 AM	0	3	65	0	68	0	0	1	1	2	0	2	57	5	64	0	0	0	1	1	135
08:30 AM	0	2	53	3	58	0	4	0	3	7	0	2	120	9	131	0	0	0	1	1	197
08:45 AM	1	1	56	1	59	0	3	1	0	4	0	3	80	5	88	0	0	0	1	1	152
Total Volume	1	9	246	5	261	0	7	2	6	15	0	9	332	24	365	0	0	0	3	3	644
% App. Total	0.4	3.4	94.3	1.9		0	46.7	13.3	40		0	2.5	91	6.6		0	0	0	100		
PHF	.250	.750	.854	.417	.859	.000	.438	.500	.500	.536	.000	.750	.692	.667	.697	.000	.000	.000	.750	.750	.817



Alliant Engineering, Inc

233 Park Ave Suite 300
 Minneapolis, MN 55415
 --TRAFFIC DATA --

TH-95 at Nelson Street
 Ref.Pt.: 22.533
 data by : Alliant Inc.
 TURN MOVEMENT COUNT

File Name : 323_TH 95 & Nelson St
 Site Code : 323
 Start Date : 11/14/2017
 Page No : 4

Start Time	TH 95 From North					Nelson St From East					TH 95 From South					Nelson St From West					Int. Total
	Other	Left	Thru	Rght	App. Total	Other	Left	Thru	Rght	App. Total	Other	Left	Thru	Rght	App. Total	Other	Left	Thru	Rght	App. Total	
Peak Hour Analysis From 12:00 PM to 05:45 PM - Peak 1 of 1																					
Peak Hour for Entire Intersection Begins at 04:15 PM																					
04:15 PM	0	2	114	1	117	0	9	1	2	12	0	1	70	4	75	0	0	1	0	1	205
04:30 PM	0	3	93	1	97	0	6	1	4	11	0	0	83	1	84	0	0	2	0	2	194
04:45 PM	0	1	93	1	95	0	8	0	2	10	0	0	65	4	69	0	0	0	3	3	177
05:00 PM	0	4	96	5	105	0	9	3	4	16	0	0	85	1	86	0	0	1	5	6	213
Total Volume	0	10	396	8	414	0	32	5	12	49	0	1	303	10	314	0	0	4	8	12	789
% App. Total	0	2.4	95.7	1.9		0	65.3	10.2	24.5		0	0.3	96.5	3.2		0	0	33.3	66.7		
PHF	.000	.625	.868	.400	.885	.000	.889	.417	.750	.766	.000	.250	.891	.625	.913	.000	.000	.500	.400	.500	.926

