



MINNESOTA DEPT OF TRANSPORTATION

TRAFFIC DATA COLLECTION - METRO

Location: TH 10 @ SUNFISH LAKE BLVD 2006
 REF. PT.:222+00.542
 JAMAR#T-1385/MAR/DR
 TURN MOVEMENT COUNT

File Name : TH 10 @ SUNFISH LAKE BLVD 2006
 Site Code : 00000000
 Start Date : 11/15/2006
 Page No : 1

Groups Printed- CARS & TRUCKS

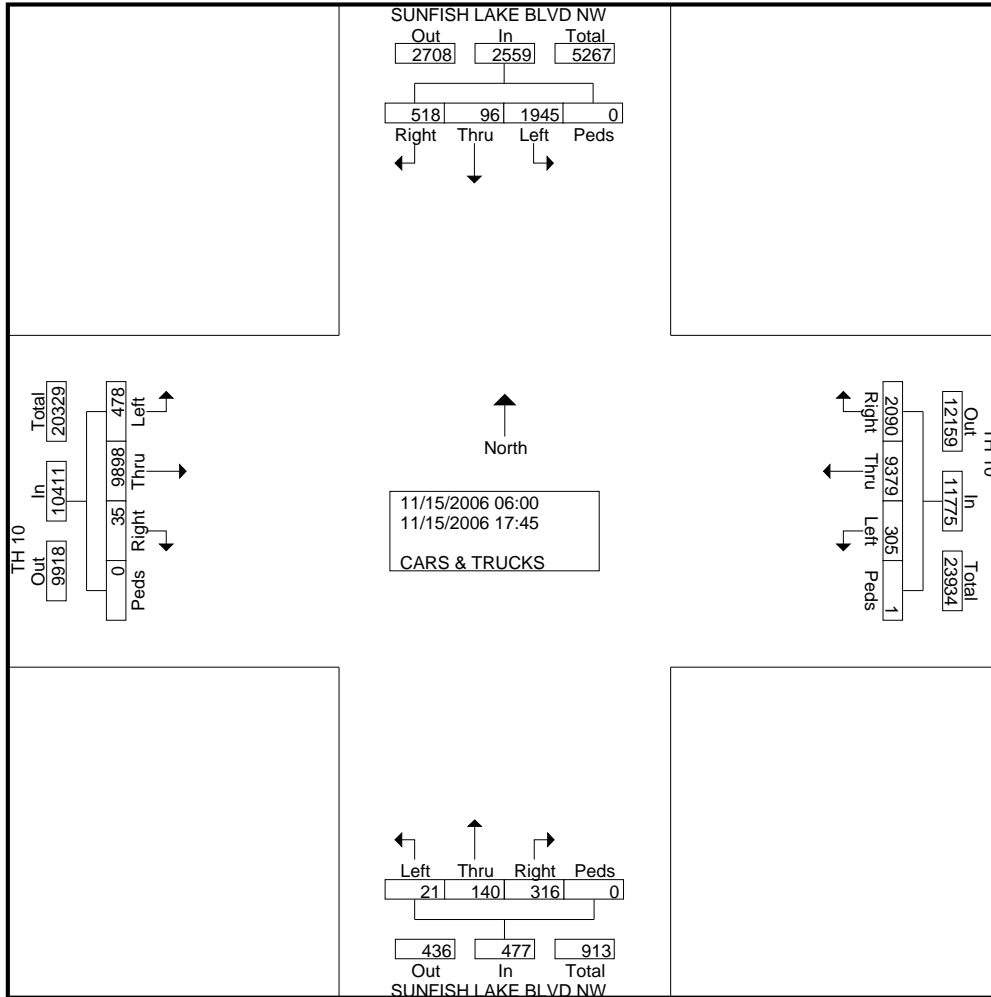
Start Time	SUNFISH LAKE BLVD NW					TH 10 Westbound					SUNFISH LAKE BLVD NW					TH 10 Eastbound					Int. Total
	Southbound					Northbound					Northbound					Eastbound					
	Left	Thru	Right	Peds	App. Total	Left	Thru	Right	Peds	App. Total	Left	Thru	Right	Peds	App. Total	Left	Thru	Right	Peds	App. Total	
06:00	110	0	9	0	119	2	120	42	0	164	0	4	28	0	32	10	534	1	0	545	860
06:15	88	3	14	0	105	10	201	73	0	284	0	4	19	0	23	20	545	1	0	566	978
06:30	57	0	15	0	72	4	250	58	0	312	2	7	18	0	27	21	533	0	0	554	965
06:45	55	1	14	0	70	7	236	168	0	411	2	1	19	0	22	23	476	2	0	501	1004
Total	310	4	52	0	366	23	807	341	0	1171	4	16	84	0	104	74	2088	4	0	2166	3807
07:00	88	16	12	0	116	3	218	106	0	327	0	6	27	0	33	15	487	1	0	503	979
07:15	88	2	15	0	105	6	293	82	0	381	2	7	31	0	40	29	543	1	0	573	1099
07:30	75	1	14	0	90	17	284	99	0	400	0	11	28	0	39	18	554	0	0	572	1101
07:45	79	3	14	0	96	10	291	118	0	419	1	11	27	0	39	33	482	2	0	517	1071
Total	330	22	55	0	407	36	1086	405	0	1527	3	35	113	0	151	95	2066	4	0	2165	4250
08:00	60	2	12	0	74	15	256	114	0	385	0	10	11	0	21	24	382	2	0	408	888
08:15	83	2	21	0	106	6	253	56	0	315	0	3	14	0	17	16	474	0	0	490	928
08:30	63	3	22	0	88	4	240	56	0	300	0	9	11	0	20	15	416	2	0	433	841
08:45	49	5	15	0	69	11	242	85	0	338	0	2	21	0	23	15	400	2	0	417	847
Total	255	12	70	0	337	36	991	311	0	1338	0	24	57	0	81	70	1672	6	0	1748	3504
15:00	84	3	33	0	120	11	509	86	1	607	5	11	11	0	27	17	295	2	0	314	1068
15:15	73	3	16	0	92	22	571	80	0	673	1	3	6	0	10	20	305	6	0	331	1106
15:30	108	5	19	0	132	19	538	90	0	647	1	5	5	0	11	20	337	0	0	357	1147
15:45	76	4	37	0	117	14	533	80	0	627	2	1	2	0	5	20	402	1	0	423	1172
Total	341	15	105	0	461	66	2151	336	1	2554	9	20	24	0	53	77	1339	9	0	1425	4493
16:00	105	3	30	0	138	20	539	85	0	644	1	7	7	0	15	16	303	3	0	322	1119
16:15	83	5	27	0	115	26	517	70	0	613	0	4	3	0	7	18	326	0	0	344	1079
16:30	104	10	23	0	137	14	575	76	0	665	0	6	4	0	10	22	377	3	0	402	1214
16:45	95	4	36	0	135	19	521	67	0	607	0	4	5	0	9	29	354	2	0	385	1136
Total	387	22	116	0	525	79	2152	298	0	2529	1	21	19	0	41	85	1360	8	0	1453	4548
17:00	98	6	35	0	139	22	559	91	0	672	1	8	4	0	13	29	343	0	0	372	1196
17:15	71	3	25	0	99	15	616	98	0	729	0	8	5	0	13	16	358	0	0	374	1215
17:30	86	6	31	0	123	15	543	119	0	677	1	5	5	0	11	19	344	3	0	366	1177
17:45	67	6	29	0	102	13	474	91	0	578	2	3	5	0	10	13	328	1	0	342	1032
Total	322	21	120	0	463	65	2192	399	0	2656	4	24	19	0	47	77	1373	4	0	1454	4620
Grand Total	1945	96	518	0	2559	305	9379	2090	1	11775	21	140	316	0	477	478	9898	35	0	10411	25222
Apprch %	76	3.8	20.2	0		2.6	79.7	17.7	0		4.4	29.4	66.2	0		4.6	95.1	0.3	0		
Total %	7.7	0.4	2.1	0	10.1	1.2	37.2	8.3	0	46.7	0.1	0.6	1.3	0	1.9	1.9	39.2	0.1	0	41.3	



MINNESOTA DEPT OF TRANSPORTATION

TRAFFIC DATA COLLECTION - METRO

File Name : TH 10 @ SUNFISH LAKE BLVD 2006
 Site Code : 00000000
 Start Date : 11/15/2006
 Page No : 2



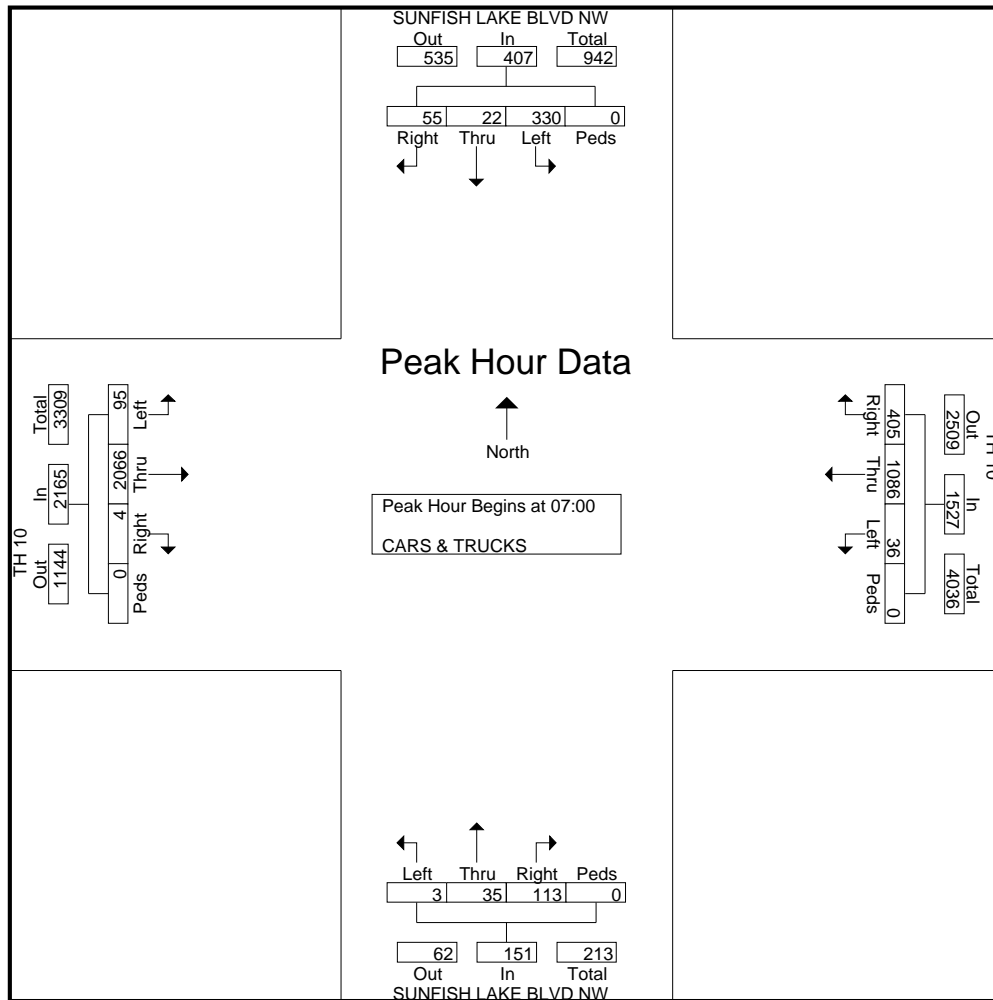


MINNESOTA DEPT OF TRANSPORTATION

TRAFFIC DATA COLLECTION - METRO

File Name : TH 10 @ SUNFISH LAKE BLVD 2006
 Site Code : 00000000
 Start Date : 11/15/2006
 Page No : 3

Start Time	SUNFISH LAKE BLVD NW Southbound					TH 10 Westbound					SUNFISH LAKE BLVD NW Northbound					TH 10 Eastbound					Int. Total
	Left	Thru	Right	Peds	App. Total	Left	Thru	Right	Peds	App. Total	Left	Thru	Right	Peds	App. Total	Left	Thru	Right	Peds	App. Total	
Peak Hour Analysis From 06:00 to 09:45 - Peak 1 of 1																					
Peak Hour for Entire Intersection Begins at 07:00																					
07:00	88	16	12	0	116	3	218	106	0	327	0	6	27	0	33	15	487	1	0	503	979
07:15	88	2	15	0	105	6	293	82	0	381	2	7	31	0	40	29	543	1	0	573	1099
07:30	75	1	14	0	90	17	284	99	0	400	0	11	28	0	39	18	554	0	0	572	1101
07:45	79	3	14	0	96	10	291	118	0	419	1	11	27	0	39	33	482	2	0	517	1071
Total Volume	330	22	55	0	407	36	1086	405	0	1527	3	35	113	0	151	95	2066	4	0	2165	4250
% App. Total	81.1	5.4	13.5	0		2.4	71.1	26.5	0		2	23.2	74.8	0		4.4	95.4	0.2	0		
PHF	.938	.344	.917	.000	.877	.529	.927	.858	.000	.911	.375	.795	.911	.000	.944	.720	.932	.500	.000	.945	.965





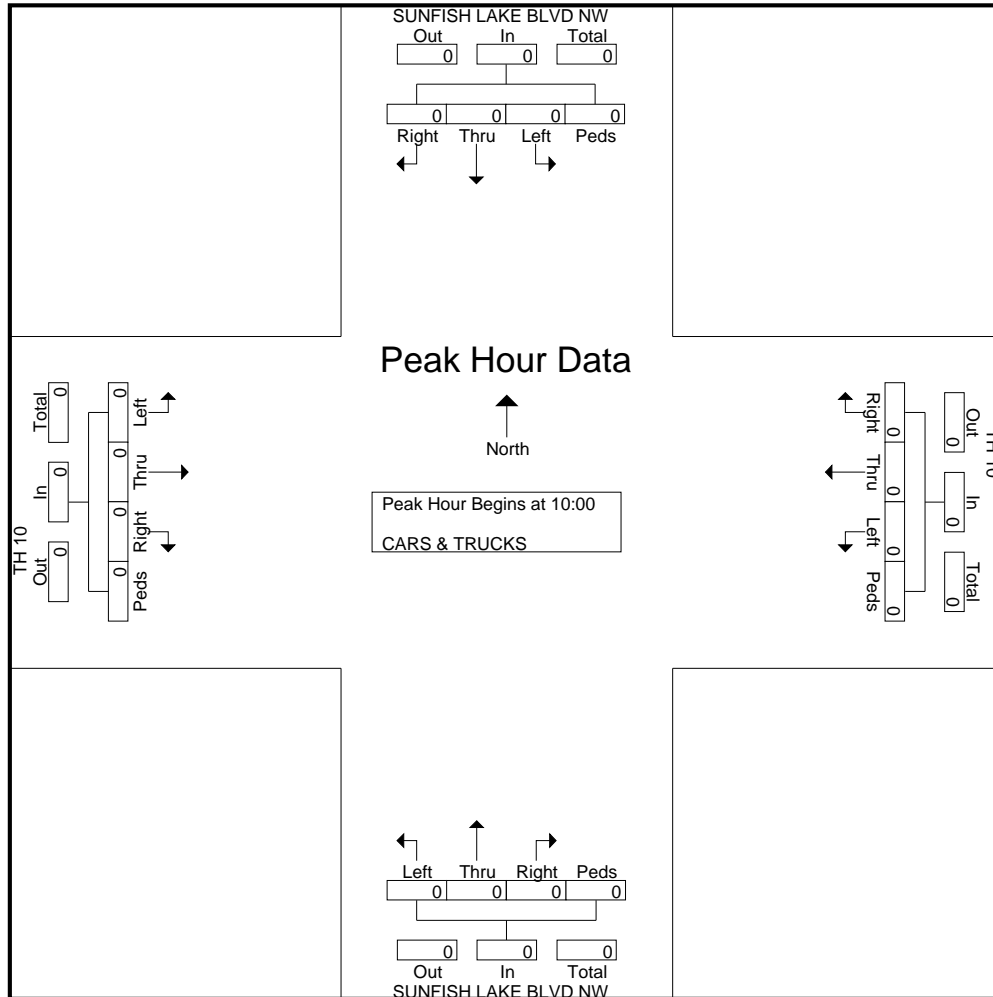
MINNESOTA DEPT OF TRANSPORTATION

TRAFFIC DATA COLLECTION - METRO

File Name : TH 10 @ SUNFISH LAKE BLVD 2006
 Site Code : 00000000
 Start Date : 11/15/2006
 Page No : 4

Start Time	SUNFISH LAKE BLVD NW Southbound					TH 10 Westbound					SUNFISH LAKE BLVD NW Northbound					TH 10 Eastbound					Int. Total	
	Left	Thru	Right	Peds	App. Total	Left	Thru	Right	Peds	App. Total	Left	Thru	Right	Peds	App. Total	Left	Thru	Right	Peds	App. Total		
10:00	0	0	0	0	0	0	0	0	0	0	0	0	0	0	0	0	0	0	0	0	0	0
10:15	0	0	0	0	0	0	0	0	0	0	0	0	0	0	0	0	0	0	0	0	0	0
10:30	0	0	0	0	0	0	0	0	0	0	0	0	0	0	0	0	0	0	0	0	0	0
10:45	0	0	0	0	0	0	0	0	0	0	0	0	0	0	0	0	0	0	0	0	0	0
Total Volume	0	0	0	0	0	0	0	0	0	0	0	0	0	0	0	0	0	0	0	0	0	0
% App. Total	0	0	0	0	0	0	0	0	0	0	0	0	0	0	0	0	0	0	0	0	0	0
PHF	.000	.000	.000	.000	.000	.000	.000	.000	.000	.000	.000	.000	.000	.000	.000	.000	.000	.000	.000	.000	.000	.000

Peak Hour Analysis From 10:00 to 13:45 - Peak 1 of 1
 Peak Hour for Entire Intersection Begins at 10:00





MINNESOTA DEPT OF TRANSPORTATION

TRAFFIC DATA COLLECTION - METRO

File Name : TH 10 @ SUNFISH LAKE BLVD 2006
 Site Code : 00000000
 Start Date : 11/15/2006
 Page No : 5

Start Time	SUNFISH LAKE BLVD NW Southbound					TH 10 Westbound					SUNFISH LAKE BLVD NW Northbound					TH 10 Eastbound					Int. Total
	Left	Thru	Right	Peds	App. Total	Left	Thru	Right	Peds	App. Total	Left	Thru	Right	Peds	App. Total	Left	Thru	Right	Peds	App. Total	
16:30	104	10	23	0	137	14	575	76	0	665	0	6	4	0	10	22	377	3	0	402	1214
16:45	95	4	36	0	135	19	521	67	0	607	0	4	5	0	9	29	354	2	0	385	1136
17:00	98	6	35	0	139	22	559	91	0	672	1	8	4	0	13	29	343	0	0	372	1196
17:15	71	3	25	0	99	15	616	98	0	729	0	8	5	0	13	16	358	0	0	374	1215
Total Volume	368	23	119	0	510	70	2271	332	0	2673	1	26	18	0	45	96	1432	5	0	1533	4761
% App. Total	72.2	4.5	23.3	0		2.6	85	12.4	0		2.2	57.8	40	0		6.3	93.4	0.3	0		
PHF	.885	.575	.826	.000	.917	.795	.922	.847	.000	.917	.250	.813	.900	.000	.865	.828	.950	.417	.000	.953	.980

Peak Hour Analysis From 14:00 to 17:45 - Peak 1 of 1

Peak Hour for Entire Intersection Begins at 16:30

