





# Alliant Engineering

Minneapolis, MN 55415

--TRAFFIC DATA --

TH-10 at CSAH-7 / 7th Ave N

Ref.Pt.: 225.351

Alliant Eng.

TURN MOVEMENT COUNT

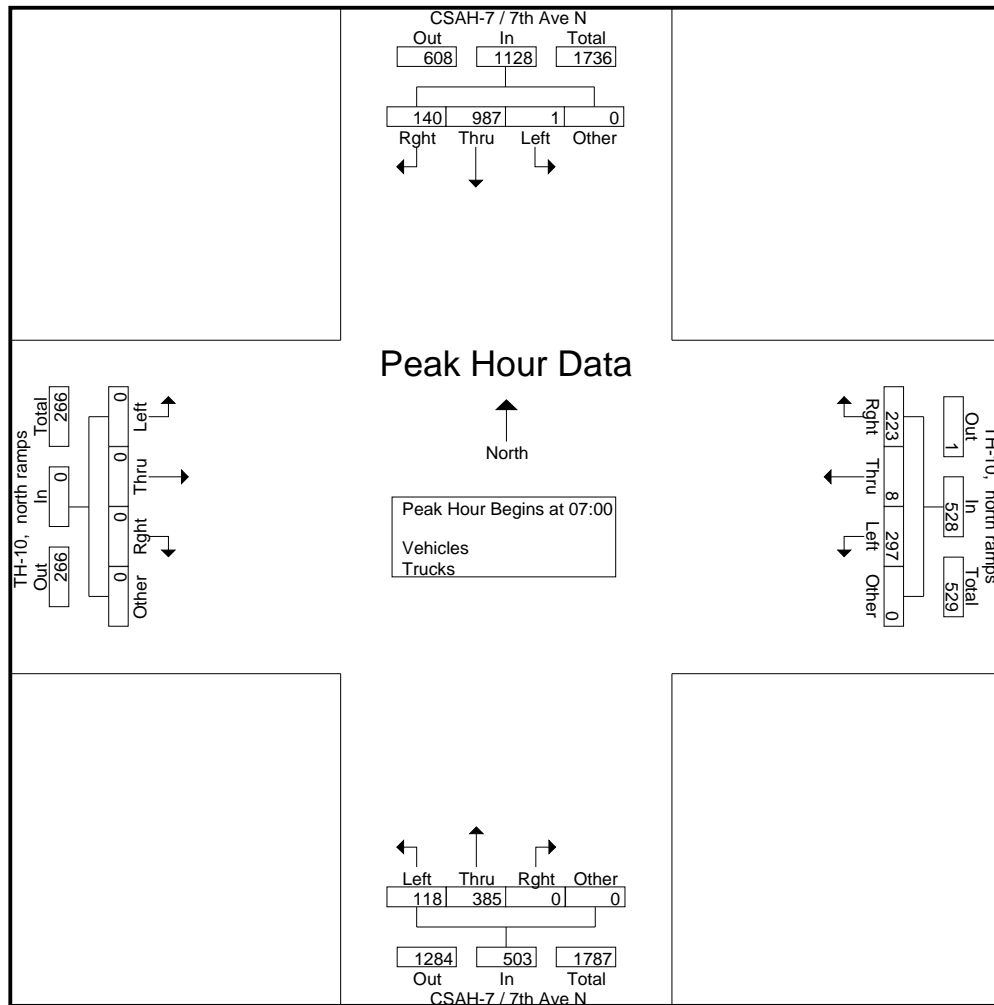
File Name : 212\_TH 10 & CR 7 N Ramp

Site Code : 212

Start Date : 2/25/2016

Page No : 3

Start Time	CSAH-7 / 7th Ave N Southbound					TH-10, north ramps Westbound					CSAH-7 / 7th Ave N Northbound					TH-10, north ramps Eastbound					Int. Total
	Left	Thru	Right	Other	App. Total	Left	Thru	Right	Other	App. Total	Left	Thru	Right	Other	App. Total	Left	Thru	Right	Other	App. Total	
Peak Hour Analysis From 06:00 to 11:45 - Peak 1 of 1																					
Peak Hour for Entire Intersection Begins at 07:00																					
07:00	0	236	22	0	258	34	0	54	0	88	46	100	0	0	146	0	0	0	0	0	492
07:15	1	265	44	0	310	72	0	40	0	112	23	112	0	0	135	0	0	0	0	0	557
07:30	0	254	48	0	302	79	2	64	0	145	25	94	0	0	119	0	0	0	0	0	566
07:45	0	232	26	0	258	112	6	65	0	183	24	79	0	0	103	0	0	0	0	0	544
Total Volume	1	987	140	0	1128	297	8	223	0	528	118	385	0	0	503	0	0	0	0	0	2159
% App. Total	0.1	87.5	12.4	0		56.2	1.5	42.2	0		23.5	76.5	0	0		0	0	0	0	0	
PHF	.250	.931	.729	.000	.910	.663	.333	.858	.000	.721	.641	.859	.000	.000	.861	.000	.000	.000	.000	.000	.954



# Alliant Engineering

Minneapolis, MN 55415

--TRAFFIC DATA --

TH-10 at CSAH-7 / 7th Ave N

Ref.Pt.: 225.351

Alliant Eng.

TURN MOVEMENT COUNT

File Name : 212\_TH 10 & CR 7 N Ramp

Site Code : 212

Start Date : 2/25/2016

Page No : 4

Start Time	CSAH-7 / 7th Ave N Southbound					TH-10, north ramps Westbound					CSAH-7 / 7th Ave N Northbound					TH-10, north ramps Eastbound					Int. Total
	Left	Thru	Rght	Other	App. Total	Left	Thru	Rght	Other	App. Total	Left	Thru	Rght	Other	App. Total	Left	Thru	Rght	Other	App. Total	
Peak Hour Analysis From 12:00 to 17:45 - Peak 1 of 1																					
Peak Hour for Entire Intersection Begins at 15:30																					
15:30	0	155	36	0	191	33	0	111	0	144	51	144	0	0	195	0	0	0	0	0	530
15:45	0	172	29	0	201	47	0	111	0	158	39	142	0	0	181	0	0	0	0	0	540
16:00	0	143	20	0	163	36	0	105	0	141	50	193	0	0	243	0	0	0	0	0	547
16:15	0	136	29	0	165	30	0	128	0	158	32	242	0	0	274	0	0	0	0	0	597
Total Volume	0	606	114	0	720	146	0	455	0	601	172	721	0	0	893	0	0	0	0	0	2214
% App. Total	0	84.2	15.8	0		24.3	0	75.7	0		19.3	80.7	0	0		0	0	0	0		
PHF	.000	.881	.792	.000	.896	.777	.000	.889	.000	.951	.843	.745	.000	.000	.815	.000	.000	.000	.000	.000	.927

