

# Alliant Engineering

Minneapolis, MN 55415

--TRAFFIC DATA --

TH-10 at 7th Ave N / CSAH-7  
 Ref.Pt.: 225.351  
 Alliant Eng.  
 TURN MOVEMENT COUNT

File Name : 211\_TH 10 & CR 7 S Ramp  
 Site Code : 211  
 Start Date : 2/25/2016  
 Page No : 1

Groups Printed- Vehicles - Trucks

Start Time	CSAH-7 / 7th Ave N Southbound				TH-10, South Ramp Westbound				CSAH-7 / 7th Ave N Northbound				TH-10, South Ramp Eastbound				Int. Total
	Left	Thru	Rght	Other	Left	Thru	Rght	Other	Left	Thru	Rght	Other	Left	Thru	Rght	Other	
06:00	117	71	0	0	0	0	0	0	0	7	1	0	0	0	0	0	196
06:15	111	114	0	0	0	0	0	0	1	30	23	0	4	0	34	0	317
06:30	138	169	0	0	0	0	0	0	0	39	12	0	10	0	53	0	421
06:45	103	169	0	0	0	0	0	0	0	56	25	0	18	1	81	0	453
Total	469	523	0	0	0	0	0	0	1	132	61	0	32	1	168	0	1387
07:00	121	143	0	0	0	0	0	0	0	66	15	0	34	1	64	0	444
07:15	139	184	0	0	0	0	0	0	0	107	47	0	24	0	37	0	538
07:30	133	200	0	0	0	0	0	0	0	107	41	0	31	0	42	0	554
07:45	109	262	0	0	0	0	0	0	0	94	40	0	29	0	45	0	579
Total	502	789	0	0	0	0	0	0	0	374	143	0	118	1	188	0	2115
08:00	80	225	1	0	0	0	0	0	0	89	25	1	27	0	62	0	510
08:15	61	161	0	0	0	0	0	0	0	76	34	0	22	0	40	1	395
08:30	79	115	0	0	0	0	0	0	0	97	37	0	19	0	35	0	382
08:45	57	131	0	0	0	0	0	0	0	70	33	0	18	0	32	0	341
Total	277	632	1	0	0	0	0	0	0	332	129	1	86	0	169	1	1628
09:00	58	119	0	0	0	0	0	0	0	54	32	0	33	0	44	0	340
09:15	48	104	0	0	0	0	0	0	0	66	34	0	19	0	33	0	304
*** BREAK ***																	
Total	106	223	0	0	0	0	0	0	0	120	66	0	52	0	77	0	644
*** BREAK ***																	
10:30	52	97	0	0	0	0	0	0	0	56	25	0	17	0	38	1	286
10:45	36	88	0	0	0	0	0	0	0	80	36	1	28	0	25	0	294
Total	88	185	0	0	0	0	0	0	0	136	61	1	45	0	63	1	580
11:00	53	86	0	0	0	0	0	0	0	77	48	0	32	0	28	0	324
11:15	37	89	0	0	0	0	0	0	0	84	51	0	23	0	17	0	301
11:30	55	109	0	0	0	0	0	0	0	89	46	0	18	0	19	0	336
11:45	47	102	0	0	0	0	0	0	0	76	56	0	25	0	26	0	332
Total	192	386	0	0	0	0	0	0	0	326	201	0	98	0	90	0	1293
12:00	46	104	0	0	0	0	0	0	0	72	59	0	31	0	22	0	334
12:15	50	116	0	0	0	0	0	0	0	87	36	0	38	0	30	0	357
12:30	55	122	0	0	0	0	0	0	0	84	28	0	23	0	27	0	339
12:45	40	110	0	0	0	0	0	0	0	83	43	0	32	2	33	0	343
Total	191	452	0	0	0	0	0	0	0	326	166	0	124	2	112	0	1373
13:00	40	107	0	0	0	0	0	0	0	88	49	0	30	2	30	0	346
13:15	32	117	0	0	0	0	0	0	0	80	45	0	34	0	23	0	331
*** BREAK ***																	
Total	72	224	0	0	0	0	0	0	0	168	94	0	64	2	53	0	677
*** BREAK ***																	
14:30	51	153	0	0	0	0	0	0	0	111	49	0	52	0	45	0	461
14:45	58	152	0	0	0	0	0	0	0	122	46	0	65	0	36	0	479
Total	109	305	0	0	0	0	0	0	0	233	95	0	117	0	81	0	940
15:00	86	116	0	0	0	0	0	0	0	216	62	0	46	0	38	0	564
15:15	51	109	0	0	0	0	0	0	0	188	58	0	47	1	22	0	476
15:30	56	111	0	0	0	0	0	0	0	156	72	0	53	0	24	0	472
15:45	68	137	0	0	0	0	0	0	0	165	65	0	46	2	37	0	520
Total	261	473	0	0	0	0	0	0	0	725	257	0	192	3	121	0	2032
16:00	63	113	0	0	0	0	0	0	0	177	92	0	63	1	33	0	542
16:15	59	117	0	0	0	0	0	0	0	164	74	0	70	1	27	0	512
16:30	61	128	0	0	0	0	0	0	0	186	108	0	57	0	43	0	583

# Alliant Engineering

Minneapolis, MN 55415

--TRAFFIC DATA --

TH-10 at 7th Ave N / CSAH-7

Ref.Pt.: 225.351

Alliant Eng.

TURN MOVEMENT COUNT

File Name : 211\_TH 10 & CR 7 S Ramp

Site Code : 211

Start Date : 2/25/2016

Page No : 2

Groups Printed- Vehicles - Trucks

Start Time	CSAH-7 / 7th Ave N Southbound				TH-10, South Ramp Westbound				CSAH-7 / 7th Ave N Northbound				TH-10, South Ramp Eastbound				Int. Total
	Left	Thru	Rght	Other	Left	Thru	Rght	Other	Left	Thru	Rght	Other	Left	Thru	Rght	Other	
16:45	63	139	0	0	0	0	0	0	0	172	102	0	45	0	29	0	550
Total	246	497	0	0	0	0	0	0	0	699	376	0	235	2	132	0	2187
17:00	54	108	0	0	0	0	0	0	0	211	98	0	51	0	22	0	544
17:15	65	89	0	0	0	0	0	0	0	180	52	0	69	0	38	0	493
17:30	76	114	0	0	0	0	0	0	0	143	64	0	49	0	18	0	464
17:45	67	103	0	0	0	0	0	0	0	125	48	0	38	1	25	0	407
Total	262	414	0	0	0	0	0	0	0	659	262	0	207	1	103	0	1908
Grand Total	2775	5103	1	0	0	0	0	0	1	4230	1911	2	1370	12	1357	2	16764
Apprch %	35.2	64.8	0	0	0	0	0	0	0	68.8	31.1	0	50	0.4	49.5	0.1	
Total %	16.6	30.4	0	0	0	0	0	0	0	25.2	11.4	0	8.2	0.1	8.1	0	
Vehicles	2707	4924	0	0	0	0	0	0	1	4053	1856	1	1313	10	1304	2	16171
% Vehicles	97.5	96.5	0	0	0	0	0	0	100	95.8	97.1	50	95.8	83.3	96.1	100	96.5
Trucks	68	179	1	0	0	0	0	0	0	177	55	1	57	2	53	0	593
% Trucks	2.5	3.5	100	0	0	0	0	0	0	4.2	2.9	50	4.2	16.7	3.9	0	3.5

# Alliant Engineering

Minneapolis, MN 55415

--TRAFFIC DATA --

TH-10 at 7th Ave N / CSAH-7

Ref.Pt.: 225.351

Alliant Eng.

TURN MOVEMENT COUNT

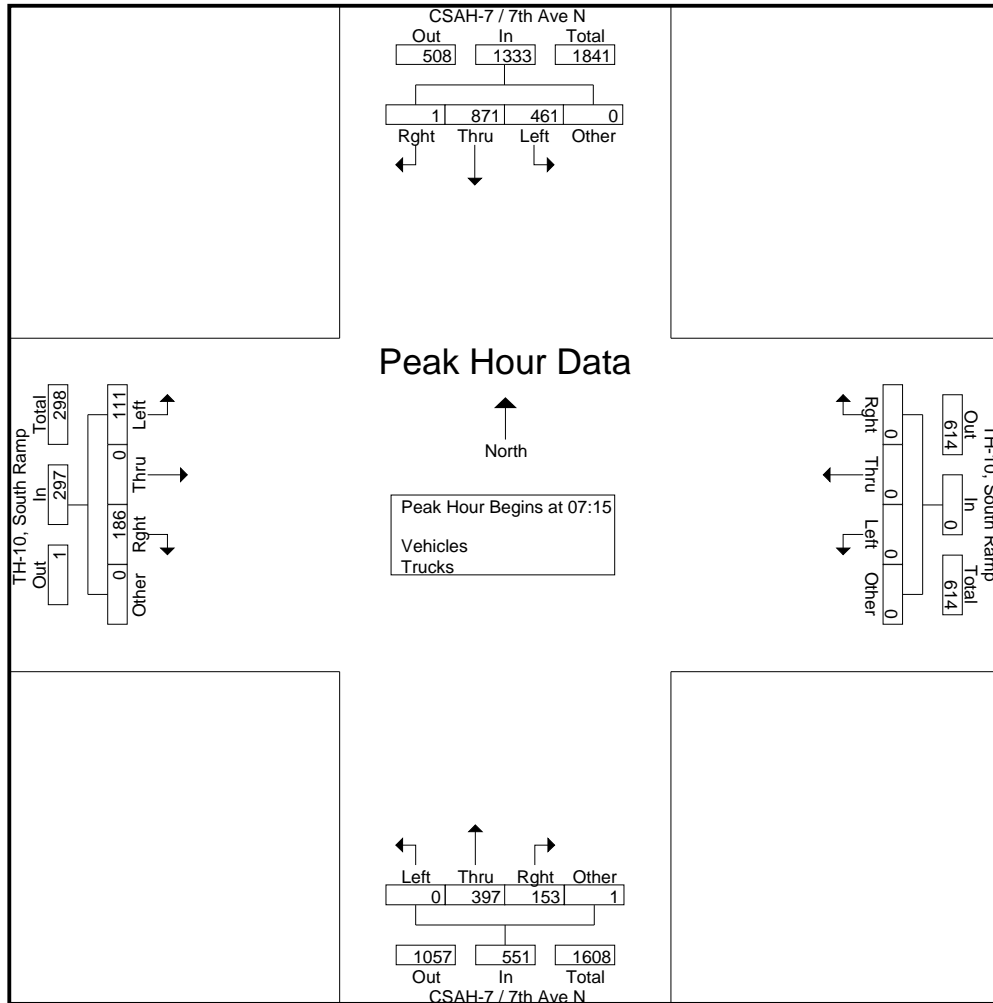
File Name : 211\_TH 10 & CR 7 S Ramp

Site Code : 211

Start Date : 2/25/2016

Page No : 3

Start Time	CSAH-7 / 7th Ave N Southbound					TH-10, South Ramp Westbound					CSAH-7 / 7th Ave N Northbound					TH-10, South Ramp Eastbound					Int. Total
	Left	Thru	Right	Other	App. Total	Left	Thru	Right	Other	App. Total	Left	Thru	Right	Other	App. Total	Left	Thru	Right	Other	App. Total	
Peak Hour Analysis From 06:00 to 11:45 - Peak 1 of 1																					
Peak Hour for Entire Intersection Begins at 07:15																					
07:15	139	184	0	0	323	0	0	0	0	0	0	107	47	0	154	24	0	37	0	61	538
07:30	133	200	0	0	333	0	0	0	0	0	0	107	41	0	148	31	0	42	0	73	554
07:45	109	262	0	0	371	0	0	0	0	0	0	94	40	0	134	29	0	45	0	74	579
08:00	80	225	1	0	306	0	0	0	0	0	0	89	25	1	115	27	0	62	0	89	510
Total Volume	461	871	1	0	1333	0	0	0	0	0	0	397	153	1	551	111	0	186	0	297	2181
% App. Total	34.6	65.3	0.1	0		0	0	0	0	0	0	72.1	27.8	0.2		37.4	0	62.6	0		
PHF	.829	.831	.250	.000	.898	.000	.000	.000	.000	.000	.000	.928	.814	.250	.894	.895	.000	.750	.000	.834	.942



# Alliant Engineering

Minneapolis, MN 55415

--TRAFFIC DATA --

TH-10 at 7th Ave N / CSAH-7

Ref.Pt.: 225.351

Alliant Eng.

TURN MOVEMENT COUNT

File Name : 211\_TH 10 & CR 7 S Ramp

Site Code : 211

Start Date : 2/25/2016

Page No : 4

Start Time	CSAH-7 / 7th Ave N Southbound					TH-10, South Ramp Westbound					CSAH-7 / 7th Ave N Northbound					TH-10, South Ramp Eastbound					Int. Total
	Left	Thru	Rght	Other	App. Total	Left	Thru	Rght	Other	App. Total	Left	Thru	Rght	Other	App. Total	Left	Thru	Rght	Other	App. Total	
Peak Hour Analysis From 12:00 to 17:45 - Peak 1 of 1																					
Peak Hour for Entire Intersection Begins at 16:15																					
16:15	59	117	0	0	176	0	0	0	0	0	0	164	74	0	238	70	1	27	0	98	512
16:30	61	128	0	0	189	0	0	0	0	0	0	186	108	0	294	57	0	43	0	100	583
16:45	63	139	0	0	202	0	0	0	0	0	0	172	102	0	274	45	0	29	0	74	550
17:00	54	108	0	0	162	0	0	0	0	0	0	211	98	0	309	51	0	22	0	73	544
Total Volume	237	492	0	0	729	0	0	0	0	0	0	733	382	0	1115	223	1	121	0	345	2189
% App. Total	32.5	67.5	0	0		0	0	0	0		0	65.7	34.3	0		64.6	0.3	35.1	0		
PHF	.940	.885	.000	.000	.902	.000	.000	.000	.000	.000	.000	.868	.884	.000	.902	.796	.250	.703	.000	.863	.939

