



MINNESOTA DEPT OF TRANSPORTATION

TRAFFIC COLLECTION - METRO

Location: TH-212 @ TH5, 25, & CSAH-33

File Name : TH 212 @ TH 5 25 & CSAH 33 2006

REF.PT: 130+00.923

Site Code : 00000000

JAMAR#632\DR

Start Date : 6/7/2006

TURN MOVEMENT COUNT

Page No : 1

Groups Printed- Cars & Trucks

Start Time	TH 5 25 AND CSAH 33 Southbound				TH 212 Westbound				TH 5 25 AND CSAH 33 Northbound				TH 212 Eastbound				Int. Total
	Right	Thru	Left	Peds	Right	Thru	Left	Peds	Right	Thru	Left	Peds	Right	Thru	Left	Peds	
06:00	1	2	12	0	8	29	0	0	1	14	1	0	2	107	38	0	215
06:15	0	7	16	0	2	23	0	0	0	16	0	0	0	108	61	0	233
06:30	0	5	9	0	8	26	0	0	2	19	1	0	1	127	92	0	290
06:45	0	7	26	0	7	31	0	0	3	6	1	0	0	155	66	0	302
Total	1	21	63	0	25	109	0	0	6	55	3	0	3	497	257	0	1040
07:00	0	10	22	0	4	26	1	0	1	6	0	0	1	87	58	0	216
07:15	0	1	18	0	4	47	0	0	2	15	1	0	1	104	59	0	252
07:30	1	2	19	0	3	49	1	0	1	13	0	0	2	99	55	0	245
07:45	0	7	17	0	8	36	0	0	2	12	1	0	4	84	63	0	234
Total	1	20	76	0	19	158	2	0	6	46	2	0	8	374	235	0	947
08:00	0	6	14	0	5	46	0	0	2	13	0	0	0	62	28	0	176
08:15	1	4	9	0	6	48	1	0	4	3	1	0	0	60	46	0	183
08:30	2	4	9	0	7	41	0	0	2	12	1	0	2	54	40	0	174
08:45	1	8	11	0	9	28	0	0	2	7	2	0	0	54	34	0	156
Total	4	22	43	0	27	163	1	0	10	35	4	0	2	230	148	0	689
15:00	0	8	3	0	16	80	0	0	1	9	0	0	1	58	24	0	200
15:15	3	14	10	0	28	99	1	0	3	8	1	0	2	62	31	0	262
15:30	1	9	9	0	22	148	2	0	2	4	2	0	2	55	20	0	276
15:45	2	10	12	0	23	101	1	0	0	12	0	0	0	67	36	0	264
Total	6	41	34	0	89	428	4	0	6	33	3	0	5	242	111	0	1002
16:00	3	16	12	0	15	98	1	0	2	9	1	0	1	55	35	0	248
16:15	1	17	11	0	20	100	0	0	1	11	3	0	0	54	27	0	245
16:30	2	21	11	0	14	109	0	0	0	7	2	0	0	60	30	0	256
16:45	1	10	8	0	14	112	1	0	1	5	3	0	3	59	24	0	241
Total	7	64	42	0	63	419	2	0	4	32	9	0	4	228	116	0	990
17:00	0	18	21	0	23	85	0	0	2	13	0	0	2	38	41	0	243
17:15	0	16	9	0	19	107	1	0	2	10	5	0	0	62	38	0	269
17:30	3	12	10	0	18	106	2	0	2	14	2	0	3	52	33	0	257
17:45	2	19	18	0	17	125	0	0	4	21	2	0	1	49	34	0	292
Total	5	65	58	0	77	423	3	0	10	58	9	0	6	201	146	0	1061
Grand Total	24	233	316	0	300	1700	12	0	42	259	30	0	28	1772	1013	0	5729
Apprch %	4.2	40.7	55.1	0	14.9	84.5	0.6	0	12.7	78.2	9.1	0	1	63	36	0	
Total %	0.4	4.1	5.5	0	5.2	29.7	0.2	0	0.7	4.5	0.5	0	0.5	30.9	17.7	0	



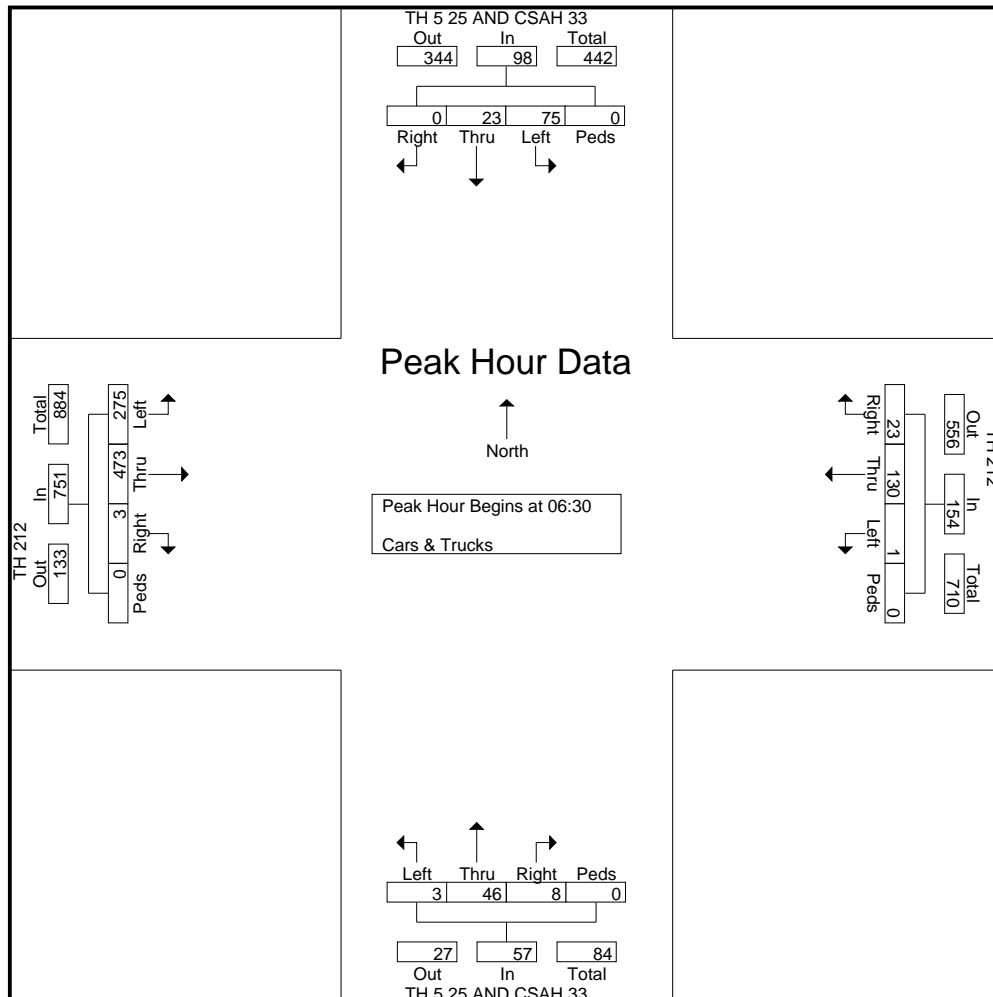
MINNESOTA DEPT OF TRANSPORTATION

TRAFFIC COLLECTION - METRO

Location: TH-212 @ TH5, 25, & CSAH-33
 REF.PT: 130+00.923
 JAMAR#632\DR
 TURN MOVEMENT COUNT

File Name : TH 212 @ TH 5 25 & CSAH 33 2006
 Site Code : 00000000
 Start Date : 6/7/2006
 Page No : 2

Start Time	TH 5 25 AND CSAH 33 Southbound					TH 212 Westbound					TH 5 25 AND CSAH 33 Northbound					TH 212 Eastbound					Int. Total
	Right	Thru	Left	Peds	App. Total	Right	Thru	Left	Peds	App. Total	Right	Thru	Left	Peds	App. Total	Right	Thru	Left	Peds	App. Total	
Peak Hour Analysis From 06:00 to 12:00 - Peak 1 of 1																					
Peak Hour for Entire Intersection Begins at 06:30																					
06:30	0	5	9	0	14	8	26	0	0	34	2	19	1	0	22	1	127	92	0	220	290
06:45	0	7	26	0	33	7	31	0	0	38	3	6	1	0	10	0	155	66	0	221	302
07:00	0	10	22	0	32	4	26	1	0	31	1	6	0	0	7	1	87	58	0	146	216
07:15	0	1	18	0	19	4	47	0	0	51	2	15	1	0	18	1	104	59	0	164	252
Total Volume	0	23	75	0	98	23	130	1	0	154	8	46	3	0	57	3	473	275	0	751	1060
% App. Total	0	23.5	76.5	0		14.9	84.4	0.6	0		14	80.7	5.3	0		0.4	63	36.6	0		
PHF	.000	.575	.721	.000	.742	.719	.691	.250	.000	.755	.667	.605	.750	.000	.648	.750	.763	.747	.000	.850	.877





MINNESOTA DEPT OF TRANSPORTATION

TRAFFIC COLLECTION - METRO

Location: TH-212 @ TH5, 25, & CSAH-33
 REF.PT: 130+00.923
 JAMAR#632\DR
 TURN MOVEMENT COUNT

File Name : TH 212 @ TH 5 25 & CSAH 33 2006
 Site Code : 00000000
 Start Date : 6/7/2006
 Page No : 3

Start Time	TH 5 25 AND CSAH 33 Southbound					TH 212 Westbound					TH 5 25 AND CSAH 33 Northbound					TH 212 Eastbound					Int. Total
	Right	Thru	Left	Peds	App. Total	Right	Thru	Left	Peds	App. Total	Right	Thru	Left	Peds	App. Total	Right	Thru	Left	Peds	App. Total	
Peak Hour Analysis From 12:15 to 17:45 - Peak 1 of 1																					
Peak Hour for Entire Intersection Begins at 17:00																					
17:00	0	18	21	0	39	23	85	0	0	108	2	13	0	0	15	2	38	41	0	81	243
17:15	0	16	9	0	25	19	107	1	0	127	2	10	5	0	17	0	62	38	0	100	269
17:30	3	12	10	0	25	18	106	2	0	126	2	14	2	0	18	3	52	33	0	88	257
17:45	2	19	18	0	39	17	125	0	0	142	4	21	2	0	27	1	49	34	0	84	292
Total Volume	5	65	58	0	128	77	423	3	0	503	10	58	9	0	77	6	201	146	0	353	1061
% App. Total	3.9	50.8	45.3	0		15.3	84.1	0.6	0		13	75.3	11.7	0		1.7	56.9	41.4	0		
PHF	.417	.855	.690	.000	.821	.837	.846	.375	.000	.886	.625	.690	.450	.000	.713	.500	.810	.890	.000	.883	.908

