



MINNESOTA DEPT OF TRANSPORTATION

TRAFFIC DATA COLLECTION - METRO

TH 212 @ CSAH 1- PIONEER TR 2005

Ref Pt:156+00.669

Jamar#: 1385/MAR

TURN MOVEMENT COUNT

File Name : TH-212 at Pioneer Trl CSAH-1 2005

Site Code : 00000000

Start Date : 12/1/2005

Page No : 1

Groups Printed- Unshifted

Start Time	TH212 Southbound				Pioneer Trail / CSAH-1 Westbound				TH212 Northbound				Pioneer Trail / CSAH-1 Eastbound				Int. Total
	Left	Thru	Right	Peds	Left	Thru	Right	Peds	Left	Thru	Right	Peds	Left	Thru	Right	Peds	
06:00	7	40	2	0	7	40	35	0	2	127	9	0	13	29	2	0	313
06:15	11	32	10	0	12	33	54	0	2	197	5	0	20	24	4	0	404
06:30	19	33	9	0	7	80	86	0	5	228	15	0	22	37	4	0	545
06:45	18	46	17	0	17	93	106	0	4	294	16	0	36	37	1	0	685
Total	55	151	38	0	43	246	281	0	13	846	45	0	91	127	11	0	1947
07:00	19	46	19	0	11	115	120	0	1	258	17	0	55	71	2	0	734
07:15	22	48	17	0	7	162	183	0	2	276	9	0	40	58	4	0	828
07:30	45	46	13	0	14	142	222	0	1	265	19	0	51	80	2	0	900
07:45	28	59	17	0	13	119	187	0	1	308	18	0	48	87	4	0	889
Total	114	199	66	0	45	538	712	0	5	1107	63	0	194	296	12	0	3351
08:00	29	50	23	0	16	96	167	0	1	240	17	0	65	76	3	0	783
08:15	30	40	11	0	18	94	144	0	4	263	16	0	70	69	3	0	762
08:30	18	42	11	0	8	95	123	0	2	294	15	0	55	68	4	0	735
08:45	39	38	10	0	7	87	99	0	8	157	16	0	30	68	1	0	560
Total	116	170	55	0	49	372	533	0	15	954	64	0	220	281	11	0	2840
*** Break ***																	
11:00	45	88	26	0	5	35	43	0	5	74	9	0	26	33	6	0	395
11:15	46	79	32	0	13	40	40	0	5	102	4	0	39	40	2	0	442
11:30	39	82	43	0	11	48	31	0	10	89	8	0	48	59	0	0	468
11:45	50	90	40	0	6	35	33	0	3	119	5	0	35	41	0	0	457
Total	180	339	141	0	35	158	147	0	23	384	26	0	148	173	8	0	1762
12:00	42	95	20	0	13	61	42	0	2	113	17	0	45	48	2	0	500
12:15	48	83	33	0	10	43	28	0	3	98	12	0	44	38	3	0	443
12:30	44	88	32	0	11	31	51	0	6	104	7	0	39	40	7	0	460
12:45	31	90	34	0	8	33	58	0	4	101	11	0	34	51	4	0	459
Total	165	356	119	0	42	168	179	0	15	416	47	0	162	177	16	0	1862
*** Break ***																	
15:00	40	155	39	0	12	56	38	0	4	68	12	0	26	77	5	0	532
15:15	60	141	37	0	10	36	37	0	5	86	13	0	45	88	4	0	562
15:30	60	215	36	0	14	74	41	0	1	95	13	0	37	87	10	0	683
15:45	64	210	27	0	16	55	56	0	3	102	14	0	46	95	5	0	693
Total	224	721	139	0	52	221	172	0	13	351	52	0	154	347	24	0	2470
16:00	59	220	37	0	17	75	41	0	2	74	10	0	20	109	3	0	667
16:15	103	250	56	0	8	72	52	0	4	69	22	0	23	105	3	0	767
16:30	137	224	28	0	19	95	52	0	2	79	8	0	20	122	5	0	791
16:45	98	249	58	0	6	65	74	0	4	73	15	0	45	143	6	0	836
Total	397	943	179	0	50	307	219	0	12	295	55	0	108	479	17	0	3061
17:00	154	232	44	0	12	121	63	0	5	89	15	0	28	129	4	0	896
17:15	140	243	51	0	20	113	77	0	4	66	15	0	66	168	3	0	966
17:30	158	235	46	0	14	95	54	0	3	76	46	0	44	115	2	0	888
17:45	107	175	47	0	11	113	57	0	0	119	10	0	39	83	3	0	764
Total	559	885	188	0	57	442	251	0	12	350	86	0	177	495	12	0	3514



MINNESOTA DEPT OF TRANSPORTATION

TRAFFIC DATA COLLECTION - METRO

TH 212 @ CSAH 1- PIONEER TR 2005
 Ref Pt:156+00.669
 Jamar#: 1385/MAR
 TURN MOVEMENT COUNT

File Name : TH-212 at Pioneer Trl CSAH-1 2005
 Site Code : 00000000
 Start Date : 12/1/2005
 Page No : 2

Groups Printed- Unshifted

	TH212 Southbound				Pioneer Trail / CSAH-1 Westbound				TH212 Northbound				Pioneer Trail / CSAH-1 Eastbound				Int. Total
	Left	Thru	Right	Peds	Left	Thru	Right	Peds	Left	Thru	Right	Peds	Left	Thru	Right	Peds	
Grand Total	1810	3764	925	0	373	2452	2494	0	108	4703	438	0	1254	2375	111	0	20807
Apprch %	27.9	57.9	14.2	0	7	46.1	46.9	0	2.1	89.6	8.3	0	33.5	63.5	3	0	
Total %	8.7	18.1	4.4	0	1.8	11.8	12	0	0.5	22.6	2.1	0	6	11.4	0.5	0	



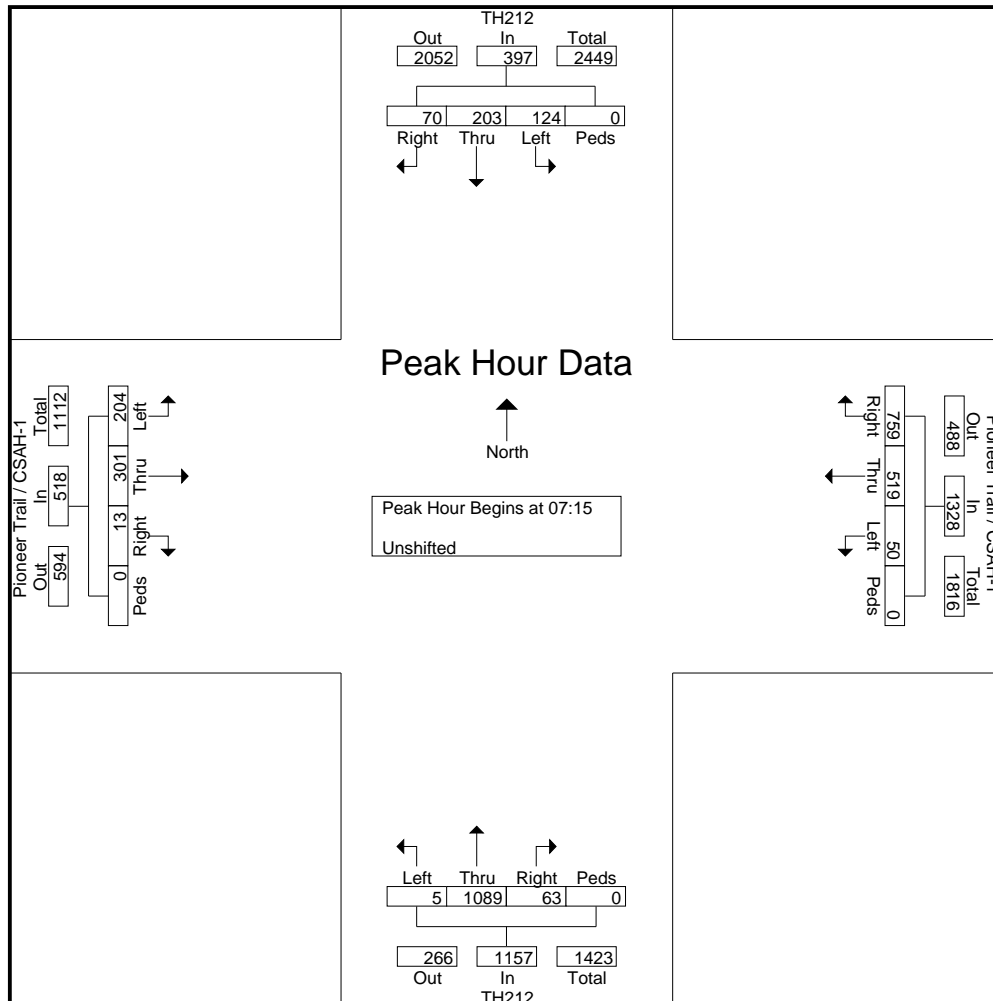
MINNESOTA DEPT OF TRANSPORTATION

TRAFFIC DATA COLLECTION - METRO

TH 212 @ CSAH 1- PIONEER TR 2005
 Ref Pt:156+00.669
 Jamar#: 1385/MAR
 TURN MOVEMENT COUNT

File Name : TH-212 at Pioneer Trl CSAH-1 2005
 Site Code : 00000000
 Start Date : 12/1/2005
 Page No : 3

Start Time	TH212 Southbound					Pioneer Trail / CSAH-1 Westbound					TH212 Northbound					Pioneer Trail / CSAH-1 Eastbound					Int. Total
	Left	Thru	Right	Peds	App. Total	Left	Thru	Right	Peds	App. Total	Left	Thru	Right	Peds	App. Total	Left	Thru	Right	Peds	App. Total	
Peak Hour Analysis From 06:00 to 09:45 - Peak 1 of 1																					
Peak Hour for Entire Intersection Begins at 07:15																					
07:15	22	48	17	0	87	7	162	183	0	352	2	276	9	0	287	40	58	4	0	102	828
07:30	45	46	13	0	104	14	142	222	0	378	1	265	19	0	285	51	80	2	0	133	900
07:45	28	59	17	0	104	13	119	187	0	319	1	308	18	0	327	48	87	4	0	139	889
08:00	29	50	23	0	102	16	96	167	0	279	1	240	17	0	258	65	76	3	0	144	783
Total Volume	124	203	70	0	397	50	519	759	0	1328	5	1089	63	0	1157	204	301	13	0	518	3400
% App. Total	31.2	51.1	17.6	0		3.8	39.1	57.2	0		0.4	94.1	5.4	0		39.4	58.1	2.5	0		
PHF	.689	.860	.761	.000	.954	.781	.801	.855	.000	.878	.625	.884	.829	.000	.885	.785	.865	.813	.000	.899	.944





MINNESOTA DEPT OF TRANSPORTATION

TRAFFIC DATA COLLECTION - METRO

TH 212 @ CSAH 1- PIONEER TR 2005
 Ref Pt:156+00.669
 Jamar#: 1385/MAR
 TURN MOVEMENT COUNT

File Name : TH-212 at Pioneer Trl CSAH-1 2005
 Site Code : 00000000
 Start Date : 12/1/2005
 Page No : 4

Start Time	TH212 Southbound					Pioneer Trail / CSAH-1 Westbound					TH212 Northbound					Pioneer Trail / CSAH-1 Eastbound					Int. Total
	Left	Thru	Right	Peds	App. Total	Left	Thru	Right	Peds	App. Total	Left	Thru	Right	Peds	App. Total	Left	Thru	Right	Peds	App. Total	
16:45	98	249	58	0	405	6	65	74	0	145	4	73	15	0	92	45	143	6	0	194	836
17:00	154	232	44	0	430	12	121	63	0	196	5	89	15	0	109	28	129	4	0	161	896
17:15	140	243	51	0	434	20	113	77	0	210	4	66	15	0	85	66	168	3	0	237	966
17:30	158	235	46	0	439	14	95	54	0	163	3	76	46	0	125	44	115	2	0	161	888
Total Volume	550	959	199	0	1708	52	394	268	0	714	16	304	91	0	411	183	555	15	0	753	3586
% App. Total	32.2	56.1	11.7	0		7.3	55.2	37.5	0		3.9	74	22.1	0		24.3	73.7	2	0		
PHF	.870	.963	.858	.000	.973	.650	.814	.870	.000	.850	.800	.854	.495	.000	.822	.693	.826	.625	.000	.794	.928

Peak Hour Analysis From 15:00 to 17:45 - Peak 1 of 1
 Peak Hour for Entire Intersection Begins at 16:45

