

# Alliant Engineering Inc Minneapolis, MN 55415

Prairie Center Dr at Plaza Dr / TH-5  
Eden Prairie  
data by: Alliant Engineering  
TURN MOVEMENT COUNT

File Name : 25\_Prairie Center Drive at TH 5 North Ramp Plaza Drive  
Site Code : 00000025  
Start Date : 10/22/2009  
Page No : 1

### Groups Printed- Unshifted - Bank 1

Start Time	Prairie Center Drive Southbound				Plaza Drive Westbound				Prairie Center Drive Northbound				loop from / ramp to TH-5 WB Eastbound				Int. Total
	Left	Thru	Right	Peds	Left	Thru	Right	Peds	Left	Thru	Right	Peds	Left	Thru	Right	Peds	
06:30	0	42	5	0	15	8	0	0	21	23	22	0	12	9	57	0	214
06:45	1	47	10	0	26	6	2	0	21	42	29	0	16	12	111	3	326
Total	1	89	15	0	41	14	2	0	42	65	51	0	28	21	168	3	540
07:00	0	72	8	0	18	5	2	0	29	41	30	0	11	5	93	0	314
07:15	3	57	9	0	17	3	7	0	48	52	25	0	18	7	130	0	376
07:30	3	93	5	0	34	10	4	0	79	69	32	0	21	9	123	5	487
07:45	2	94	14	0	30	10	4	0	35	88	58	0	29	12	134	2	512
Total	8	316	36	0	99	28	17	0	191	250	145	0	79	33	480	7	1689
08:00	6	66	9	0	18	9	5	0	39	86	28	0	17	12	123	4	422
08:15	0	77	12	0	34	11	3	0	37	67	39	0	26	19	99	6	430
08:30	4	77	16	0	28	19	3	0	42	77	38	0	25	14	115	0	458
08:45	2	106	19	0	26	16	9	0	32	85	42	0	36	16	114	0	503
Total	12	326	56	0	106	55	20	0	150	315	147	0	104	61	451	10	1813
09:00	6	57	16	0	27	20	6	0	49	92	30	0	23	18	94	0	438
09:15	3	71	15	0	22	12	4	0	51	77	45	0	26	19	69	0	414
*** BREAK ***																	
Total	9	128	31	0	49	32	10	0	100	169	75	0	49	37	163	0	852
*** BREAK ***																	
10:30	4	75	19	0	37	20	7	0	82	88	39	0	15	17	68	1	472
10:45	6	95	18	0	47	21	11	0	88	88	45	0	17	13	82	1	532
Total	10	170	37	0	84	41	18	0	170	176	84	0	32	30	150	2	1004
11:00	4	109	16	0	28	29	15	0	106	98	42	0	18	16	93	1	575
11:15	8	114	19	0	50	27	10	0	104	101	43	0	17	15	92	0	600
11:30	8	160	22	0	44	18	9	0	93	108	60	0	23	24	131	0	700
11:45	5	141	28	0	48	20	12	0	146	120	52	0	23	24	134	0	753
Total	25	524	85	0	170	94	46	0	449	427	197	0	81	79	450	1	2628
12:00	6	157	26	0	51	37	6	0	136	155	56	0	30	24	131	2	817
12:15	11	123	27	0	39	20	10	0	145	165	54	0	26	24	114	1	759
12:30	5	165	31	0	61	36	17	0	111	168	55	0	29	27	104	0	809
12:45	9	131	29	0	56	24	12	0	186	163	53	0	25	19	94	0	801
Total	31	576	113	0	207	117	45	0	578	651	218	0	110	94	443	3	3186
13:00	8	112	30	0	41	33	11	0	154	132	31	0	33	29	88	4	706
13:15	7	115	20	0	53	39	17	0	147	157	38	0	26	17	100	0	736
*** BREAK ***																	
Total	15	227	50	0	94	72	28	0	301	289	69	0	59	46	188	4	1442
*** BREAK ***																	
14:30	4	86	31	0	45	34	10	0	207	106	39	0	25	17	98	0	702
14:45	2	100	28	0	38	28	14	0	164	108	51	0	29	30	149	0	741
Total	6	186	59	0	83	62	24	0	371	214	90	0	54	47	247	0	1443
15:00	8	111	32	0	42	29	12	0	180	137	40	0	30	13	94	0	728
15:15	5	116	29	1	39	34	11	0	174	116	32	0	18	18	95	0	688
15:30	6	109	41	0	38	24	10	0	180	111	54	0	23	19	83	2	700
15:45	3	104	36	0	39	42	7	0	187	124	40	0	28	15	101	6	732
Total	22	440	138	1	158	129	40	0	721	488	166	0	99	65	373	8	2848
16:00	7	121	41	0	56	30	6	0	193	131	46	0	28	14	109	3	785
16:15	3	123	39	0	48	36	5	0	213	131	49	0	31	17	109	0	804
16:30	2	119	42	0	53	34	12	0	198	141	45	0	27	13	148	2	836
16:45	6	139	56	0	42	39	9	0	226	158	48	0	27	20	161	0	931
Total	18	502	178	0	199	139	32	0	830	561	188	0	113	64	527	5	3356

# Alliant Engineering Inc Minneapolis, MN 55415

Prairie Center Dr at Plaza Dr / TH-5  
Eden Prairie  
data by: Alliant Engineering  
TURN MOVEMENT COUNT

File Name : 25\_Prairie Center Drive at TH 5 North Ramp Plaza Drive  
Site Code : 00000025  
Start Date : 10/22/2009  
Page No : 2

### Groups Printed- Unshifted - Bank 1

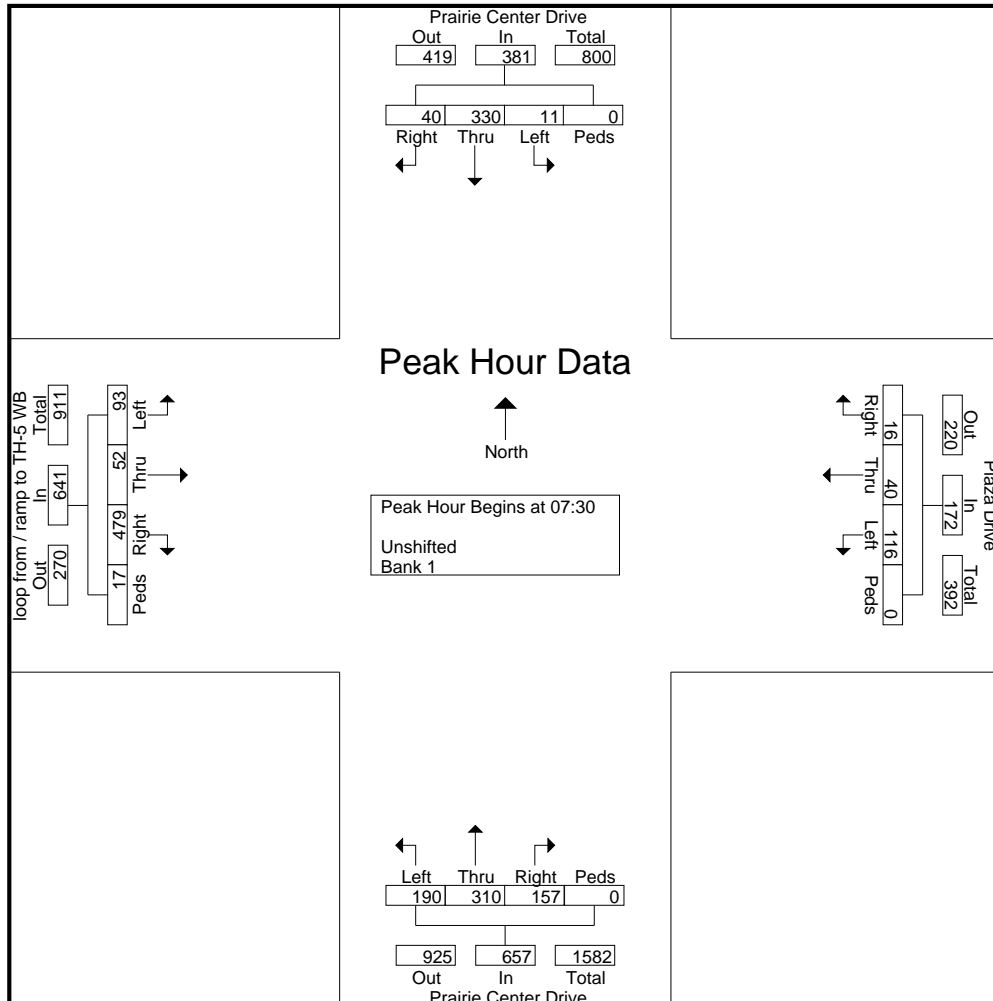
Start Time	Prairie Center Drive Southbound				Plaza Drive Westbound				Prairie Center Drive Northbound				loop from / ramp to TH-5 WB Eastbound				Int. Total
	Left	Thru	Right	Peds	Left	Thru	Right	Peds	Left	Thru	Right	Peds	Left	Thru	Right	Peds	
17:00	2	170	66	0	53	52	5	0	228	141	56	0	26	14	141	0	954
17:15	5	183	46	0	32	35	9	0	261	194	44	0	22	24	153	0	1008
17:30	4	143	44	0	45	42	12	0	217	153	48	0	21	12	173	0	914
17:45	5	130	43	0	52	21	2	0	244	144	44	0	17	15	128	0	845
Total	16	626	199	0	182	150	28	0	950	632	192	0	86	65	595	0	3721
18:00	4	112	55	0	38	41	6	0	206	130	41	0	30	9	139	0	811
18:15	3	111	46	0	33	31	6	0	196	115	29	0	18	10	115	1	714
18:30	0	90	18	0	41	24	1	0	219	89	18	0	13	9	95	0	617
18:45	1	73	24	1	34	31	7	0	208	87	34	0	21	14	81	0	616
Total	8	386	143	1	146	127	20	0	829	421	122	0	82	42	430	1	2758
Grand Total	181	4496	1140	2	1618	1060	330	0	5682	4658	1744	0	976	684	4665	44	27280
Apprch %	3.1	77.3	19.6	0	53.8	35.2	11	0	47	38.5	14.4	0	15.3	10.7	73.2	0.7	
Total %	0.7	16.5	4.2	0	5.9	3.9	1.2	0	20.8	17.1	6.4	0	3.6	2.5	17.1	0.2	
Unshifted	180	4437	1118	2	1600	1055	323	0	5660	4642	1727	0	950	668	4557	43	26962
% Unshifted	99.4	98.7	98.1	100	98.9	99.5	97.9	0	99.6	99.7	99	0	97.3	97.7	97.7	97.7	98.8
Bank 1	1	59	22	0	18	5	7	0	22	16	17	0	26	16	108	1	318
% Bank 1	0.6	1.3	1.9	0	1.1	0.5	2.1	0	0.4	0.3	1	0	2.7	2.3	2.3	2.3	1.2

# Alliant Engineering Inc Minneapolis, MN 55415

Prairie Center Dr at Plaza Dr / TH-5  
Eden Prairie  
data by: Alliant Engineering  
TURN MOVEMENT COUNT

File Name : 25\_Prairie Center Drive at TH 5 North Ramp Plaza Drive  
Site Code : 00000025  
Start Date : 10/22/2009  
Page No : 3

Start Time	Prairie Center Drive Southbound					Plaza Drive Westbound					Prairie Center Drive Northbound					loop from / ramp to TH-5 WB Eastbound					Int. Total
	Left	Thru	Right	Peds	App. Total	Left	Thru	Right	Peds	App. Total	Left	Thru	Right	Peds	App. Total	Left	Thru	Right	Peds	App. Total	
Peak Hour Analysis From 06:30 to 09:15 - Peak 1 of 1																					
Peak Hour for Entire Intersection Begins at 07:30																					
07:30	3	93	5	0	101	34	10	4	0	48	79	69	32	0	180	21	9	123	5	158	487
07:45	2	94	14	0	110	30	10	4	0	44	35	88	58	0	181	29	12	134	2	177	512
08:00	6	66	9	0	81	18	9	5	0	32	39	86	28	0	153	17	12	123	4	156	422
08:15	0	77	12	0	89	34	11	3	0	48	37	67	39	0	143	26	19	99	6	150	430
Total Volume	11	330	40	0	381	116	40	16	0	172	190	310	157	0	657	93	52	479	17	641	1851
% App. Total	2.9	86.6	10.5	0		67.4	23.3	9.3	0		28.9	47.2	23.9	0		14.5	8.1	74.7	2.7		
PHF	.458	.878	.714	.000	.866	.853	.909	.800	.000	.896	.601	.881	.677	.000	.907	.802	.684	.894	.708	.905	.904



# Alliant Engineering Inc Minneapolis, MN 55415

Prairie Center Dr at Plaza Dr / TH-5  
Eden Prairie  
data by: Alliant Engineering  
TURN MOVEMENT COUNT

File Name : 25\_Prairie Center Drive at TH 5 North Ramp Plaza Drive  
Site Code : 00000025  
Start Date : 10/22/2009  
Page No : 4

Start Time	Prairie Center Drive Southbound					Plaza Drive Westbound					Prairie Center Drive Northbound					loop from / ramp to TH-5 WB Eastbound					Int. Total
	Left	Thru	Right	Peds	App. Total	Left	Thru	Right	Peds	App. Total	Left	Thru	Right	Peds	App. Total	Left	Thru	Right	Peds	App. Total	
Peak Hour Analysis From 14:30 to 18:45 - Peak 1 of 1																					
Peak Hour for Entire Intersection Begins at 16:45																					
16:45	6	139	56	0	201	42	39	9	0	90	226	158	48	0	432	27	20	161	0	208	931
17:00	2	170	66	0	238	53	52	5	0	110	228	141	56	0	425	26	14	141	0	181	954
17:15	5	183	46	0	234	32	35	9	0	76	261	194	44	0	499	22	24	153	0	199	1008
17:30	4	143	44	0	191	45	42	12	0	99	217	153	48	0	418	21	12	173	0	206	914
Total Volume	17	635	212	0	864	172	168	35	0	375	932	646	196	0	1774	96	70	628	0	794	3807
% App. Total	2	73.5	24.5	0		45.9	44.8	9.3	0		52.5	36.4	11	0		12.1	8.8	79.1	0		
PHF	.708	.867	.803	.000	.908	.811	.808	.729	.000	.852	.893	.832	.875	.000	.889	.889	.729	.908	.000	.954	.944

