



MINNESOTA DEPT OF TRANSPORTATION

TRAFFIC DATA COLLECTION - METRO

TH-52 at Lincoln St HAMPTON
 Ref.Pt.: 106.327
 JAMAR # T-2638 CAH
 TURN MOVEMENT COUNT

File Name : th-52 at lincoln st hampton 2010
 Site Code : 00000000
 Start Date : 4/28/2010
 Page No : 1

Groups Printed- Cars & Trucks

Start Time	TH-52 Southbound				Lincoln St. Westbound				TH-52 Northbound				Lincoln St. Eastbound				Int. Total
	Left	Thru	Right	Peds	Left	Thru	Right	Peds	Left	Thru	Right	Peds	Left	Thru	Right	Peds	
06:00	1	88	1	0	0	0	15	0	0	230	0	0	5	0	1	0	341
06:15	4	85	2	0	0	1	10	0	1	301	0	0	6	1	1	0	412
06:30	4	124	3	0	0	2	7	0	1	232	0	0	3	2	0	0	378
06:45	1	113	0	0	0	1	6	0	1	248	0	0	3	5	2	0	380
Total	10	410	6	0	0	4	38	0	3	1011	0	0	17	8	4	0	1511
07:00	4	146	2	0	0	1	9	0	4	252	0	0	2	0	2	0	422
07:15	1	163	1	0	0	1	4	0	3	241	0	0	1	3	1	0	419
07:30	4	141	5	0	0	3	3	0	1	228	0	0	2	4	2	0	393
07:45	3	171	3	0	0	6	5	0	0	186	0	0	2	3	1	0	380
Total	12	621	11	0	0	11	21	0	8	907	0	0	7	10	6	0	1614
08:00	2	156	3	0	1	3	4	0	1	186	1	0	2	2	2	0	363
08:15	3	140	1	0	0	1	9	0	4	194	1	0	1	2	2	0	358
08:30	2	141	1	0	0	1	5	0	0	156	1	0	1	1	2	0	311
08:45	0	157	0	0	1	3	3	0	2	175	0	0	1	1	0	0	343
Total	7	594	5	0	2	8	21	0	7	711	3	0	5	6	6	0	1375
09:00	3	139	3	0	0	3	4	0	0	170	0	0	1	0	0	0	323
09:15	4	163	2	0	0	1	7	0	0	166	0	0	2	1	1	0	347
09:30	3	141	4	0	0	0	3	0	0	135	0	0	2	0	4	0	292
09:45	1	146	1	0	0	0	6	0	1	151	0	0	0	2	4	0	312
Total	11	589	10	0	0	4	20	0	1	622	0	0	5	3	9	0	1274
*** BREAK ***																	
11:00	1	131	2	0	1	1	1	0	2	136	0	0	2	0	3	0	280
11:15	1	119	1	0	0	3	2	0	1	142	0	0	3	3	1	0	276
11:30	6	125	2	0	1	3	3	0	3	113	0	0	2	3	1	0	262
11:45	7	145	3	0	0	1	2	0	4	136	0	0	2	2	4	0	306
Total	15	520	8	0	2	8	8	0	10	527	0	0	9	8	9	0	1124
12:00	4	122	2	0	1	3	0	0	1	130	1	0	1	2	4	0	271
12:15	3	135	0	0	0	0	5	0	0	149	0	0	4	1	3	0	300
12:30	4	150	2	0	1	4	4	0	0	142	3	1	0	3	0	0	314
12:45	4	123	0	0	0	1	3	0	1	147	0	0	2	1	2	0	284
Total	15	530	4	0	2	8	12	0	2	568	4	1	7	7	9	0	1169
13:00	3	148	1	0	0	2	3	0	1	177	0	0	1	3	3	0	342
13:15	0	168	4	0	0	3	2	0	4	157	1	0	1	1	5	0	346
13:30	2	160	3	0	0	2	2	0	0	153	0	0	2	0	0	0	324
13:45	2	142	2	0	0	1	4	0	2	176	0	0	2	1	1	0	333
Total	7	618	10	0	0	8	11	0	7	663	1	0	6	5	9	0	1345
*** BREAK ***																	
15:00	2	180	5	0	0	3	3	0	4	181	0	0	1	0	2	0	381
15:15	8	207	6	0	1	1	1	0	7	175	0	0	2	1	2	0	411
15:30	6	229	7	0	1	4	5	0	2	172	2	0	1	1	3	0	433
15:45	7	249	4	0	0	1	4	0	7	155	0	0	2	0	5	0	434
Total	23	865	22	0	2	9	13	0	20	683	2	0	6	2	12	0	1659
16:00	5	241	7	0	1	0	7	0	3	166	0	0	2	1	2	0	435



MINNESOTA DEPT OF TRANSPORTATION

TRAFFIC DATA COLLECTION - METRO

TH-52 at Lincoln St HAMPTON
 Ref.Pt.: 106.327
 JAMAR # T-2638 CAH
 TURN MOVEMENT COUNT

File Name : th-52 at lincoln st hampton 2010
 Site Code : 00000000
 Start Date : 4/28/2010
 Page No : 2

Groups Printed- Cars & Trucks

Start Time	TH-52 Southbound				Lincoln St. Westbound				TH-52 Northbound				Lincoln St. Eastbound				Int. Total
	Left	Thru	Right	Peds	Left	Thru	Right	Peds	Left	Thru	Right	Peds	Left	Thru	Right	Peds	
16:15	7	235	4	0	0	1	3	0	1	192	0	0	1	4	2	0	450
16:30	9	236	3	0	0	2	0	0	2	199	0	0	1	1	1	0	454
16:45	6	278	9	0	1	6	5	0	2	186	1	0	0	0	1	0	495
Total	27	990	23	0	2	9	15	0	8	743	1	0	4	6	6	0	1834
17:00	2	238	5	0	0	1	9	0	3	224	0	0	4	2	3	0	491
17:15	4	218	6	0	0	3	4	0	5	185	1	0	2	1	2	0	431
17:30	2	252	10	0	0	2	2	0	4	173	0	0	2	0	2	4	453
17:45	2	221	8	0	0	3	1	0	3	205	0	0	4	4	3	4	458
Total	10	929	29	0	0	9	16	0	15	787	1	0	12	7	10	8	1833
Grand Total	137	6666	128	0	10	78	175	0	81	7222	12	1	78	62	80	8	14738
Apprch %	2	96.2	1.8	0	3.8	29.7	66.5	0	1.1	98.7	0.2	0	34.2	27.2	35.1	3.5	
Total %	0.9	45.2	0.9	0	0.1	0.5	1.2	0	0.5	49	0.1	0	0.5	0.4	0.5	0.1	



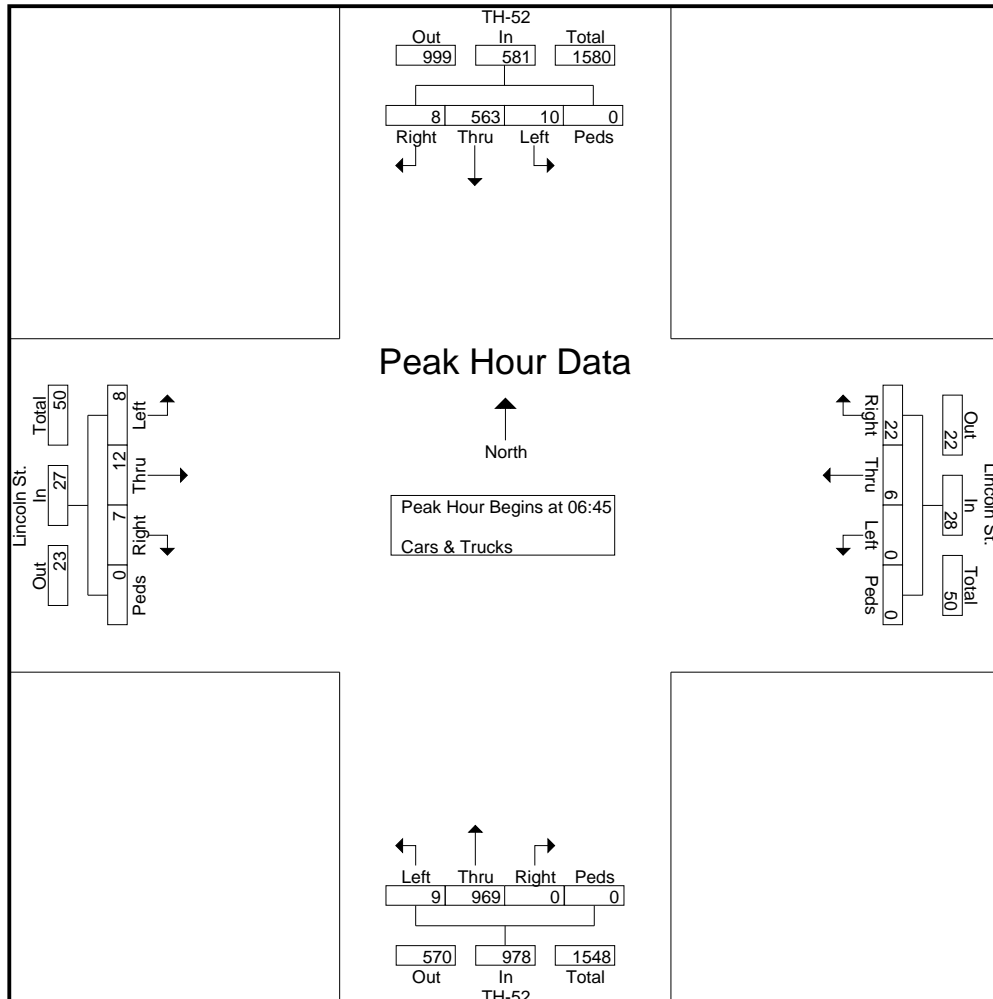
MINNESOTA DEPT OF TRANSPORTATION

TRAFFIC DATA COLLECTION - METRO

TH-52 at Lincoln St HAMPTON
 Ref.Pt.: 106.327
 JAMAR # T-2638 CAH
 TURN MOVEMENT COUNT

File Name : th-52 at lincoln st hampton 2010
 Site Code : 00000000
 Start Date : 4/28/2010
 Page No : 3

Start Time	TH-52 Southbound					Lincoln St. Westbound					TH-52 Northbound					Lincoln St. Eastbound					Int. Total
	Left	Thru	Right	Peds	App. Total	Left	Thru	Right	Peds	App. Total	Left	Thru	Right	Peds	App. Total	Left	Thru	Right	Peds	App. Total	
Peak Hour Analysis From 06:00 to 08:45 - Peak 1 of 1																					
Peak Hour for Entire Intersection Begins at 06:45																					
06:45	1	113	0	0	114	0	1	6	0	7	1	248	0	0	249	3	5	2	0	10	380
07:00	4	146	2	0	152	0	1	9	0	10	4	252	0	0	256	2	0	2	0	4	422
07:15	1	163	1	0	165	0	1	4	0	5	3	241	0	0	244	1	3	1	0	5	419
07:30	4	141	5	0	150	0	3	3	0	6	1	228	0	0	229	2	4	2	0	8	393
Total Volume	10	563	8	0	581	0	6	22	0	28	9	969	0	0	978	8	12	7	0	27	1614
% App. Total	1.7	96.9	1.4	0		0	21.4	78.6	0		0.9	99.1	0	0		29.6	44.4	25.9	0		
PHF	.625	.863	.400	.000	.880	.000	.500	.611	.000	.700	.563	.961	.000	.000	.955	.667	.600	.875	.000	.675	.956





MINNESOTA DEPT OF TRANSPORTATION

TRAFFIC DATA COLLECTION - METRO

TH-52 at Lincoln St HAMPTON
 Ref.Pt.: 106.327
 JAMAR # T-2638 CAH
 TURN MOVEMENT COUNT

File Name : th-52 at lincoln st hampton 2010
 Site Code : 00000000
 Start Date : 4/28/2010
 Page No : 4

Start Time	TH-52 Southbound					Lincoln St. Westbound					TH-52 Northbound					Lincoln St. Eastbound					Int. Total
	Left	Thru	Right	Peds	App. Total	Left	Thru	Right	Peds	App. Total	Left	Thru	Right	Peds	App. Total	Left	Thru	Right	Peds	App. Total	
Peak Hour Analysis From 15:00 to 17:45 - Peak 1 of 1 Peak Hour for Entire Intersection Begins at 16:15																					
16:15	7	235	4	0	246	0	1	3	0	4	1	192	0	0	193	1	4	2	0	7	450
16:30	9	236	3	0	248	0	2	0	0	2	2	199	0	0	201	1	1	1	0	3	454
16:45	6	278	9	0	293	1	6	5	0	12	2	186	1	0	189	0	0	1	0	1	495
17:00	2	238	5	0	245	0	1	9	0	10	3	224	0	0	227	4	2	3	0	9	491
Total Volume	24	987	21	0	1032	1	10	17	0	28	8	801	1	0	810	6	7	7	0	20	1890
% App. Total	2.3	95.6	2	0		3.6	35.7	60.7	0		1	98.9	0.1	0		30	35	35	0		
PHF	.667	.888	.583	.000	.881	.250	.417	.472	.000	.583	.667	.894	.250	.000	.892	.375	.438	.583	.000	.556	.955

