

**Alliant Engineering, Inc**

233 Park Ave Suite 300

Minneapolis, MN 55415

--TRAFFIC DATA --

CSAH-50 at Kenrick Avenue

Ref.Pt.: 85.508

data by : Alliant Inc.

TURN MOVEMENT COUNT

File Name : 353\_CSAH 50 & Kenrick Ave

Site Code : 353

Start Date : 11/14/2017

Page No : 1

Groups Printed- Vehicles - Trucks

Start Time	CSAH 50 From North				Kenrick Avenue From East				CSAH 50 From South				Kenrick Avenue From West				Int. Total
	Other	Left	Thru	Rght	Other	Left	Thru	Rght	Other	Left	Thru	Rght	Other	Left	Thru	Rght	
06:00 AM	0	4	19	0	0	3	0	28	0	0	109	9	0	3	1	0	176
06:15 AM	1	4	32	2	0	5	1	45	0	1	140	14	0	1	0	0	246
06:30 AM	0	12	41	0	0	6	0	55	0	0	200	20	0	0	0	0	334
06:45 AM	1	7	65	4	0	11	1	61	0	2	181	26	0	0	0	1	360
Total	2	27	157	6	0	25	2	189	0	3	630	69	0	4	1	1	1116
07:00 AM	0	7	61	6	0	24	2	73	0	6	256	34	0	4	0	0	473
07:15 AM	0	7	63	13	0	18	2	62	0	10	276	37	0	1	0	0	489
07:30 AM	0	13	53	16	0	16	10	53	0	28	271	46	0	0	3	0	509
07:45 AM	1	12	57	17	0	16	7	54	0	22	269	34	0	4	0	0	493
Total	1	39	234	52	0	74	21	242	0	66	1072	151	0	9	3	0	1964
08:00 AM	1	10	39	9	0	19	7	38	0	6	214	34	0	3	0	1	381
08:15 AM	3	15	42	15	0	12	3	29	0	8	139	12	0	3	0	0	281
08:30 AM	0	22	54	10	0	17	11	35	0	5	119	15	0	11	4	1	304
08:45 AM	0	20	47	12	0	25	12	29	0	11	112	15	0	4	1	1	289
Total	4	67	182	46	0	73	33	131	0	30	584	76	0	21	5	3	1255
09:00 AM	1	23	51	13	0	14	9	30	0	9	125	12	0	3	3	0	293
09:15 AM	1	19	53	14	0	16	10	27	0	5	135	23	0	11	3	2	319
*** BREAK ***																	
Total	2	42	104	27	0	30	19	57	0	14	260	35	0	14	6	2	612
*** BREAK ***																	
10:30 AM	3	13	50	14	1	6	7	32	0	8	86	13	0	15	6	0	254
10:45 AM	1	22	58	15	0	12	12	21	1	13	81	16	0	18	6	1	277
Total	4	35	108	29	1	18	19	53	1	21	167	29	0	33	12	1	531
11:00 AM	1	30	54	19	0	16	12	20	0	4	91	14	0	17	7	4	289
11:15 AM	2	26	49	29	0	20	15	31	1	10	84	18	0	21	7	3	316
11:30 AM	4	30	61	26	0	15	19	29	2	21	110	16	0	26	10	2	371
11:45 AM	2	32	73	24	0	20	13	29	1	10	78	13	0	20	9	4	328
Total	9	118	237	98	0	71	59	109	4	45	363	61	0	84	33	13	1304
12:00 PM	6	39	71	25	0	27	14	21	2	16	79	18	0	21	18	2	359
12:15 PM	3	27	82	20	0	12	21	18	2	10	103	16	0	28	15	6	363
12:30 PM	5	41	75	25	1	31	15	37	2	19	90	13	0	22	12	2	390
12:45 PM	3	30	66	28	0	23	12	38	4	15	79	21	0	18	10	3	350
Total	17	137	294	98	1	93	62	114	10	60	351	68	0	89	55	13	1462
01:00 PM	3	44	53	17	0	22	12	27	2	11	94	21	0	13	10	3	332
01:15 PM	5	33	68	24	0	24	11	33	3	16	81	23	0	15	8	3	347
*** BREAK ***																	
Total	8	77	121	41	0	46	23	60	5	27	175	44	0	28	18	6	679
*** BREAK ***																	
02:30 PM	1	39	107	20	0	23	6	35	4	4	100	15	0	23	14	3	394
02:45 PM	4	44	110	21	0	30	11	22	3	12	117	22	0	17	12	1	426
Total	5	83	217	41	0	53	17	57	7	16	217	37	0	40	26	4	820
03:00 PM	4	50	115	33	0	30	14	25	2	8	88	23	0	14	6	1	413
03:15 PM	1	41	125	25	0	23	8	38	1	11	116	27	0	32	8	0	456
03:30 PM	3	51	116	25	1	43	23	29	1	9	115	16	0	26	15	2	475
03:45 PM	4	76	138	32	0	31	11	36	4	11	94	16	0	29	18	5	505
Total	12	218	494	115	1	127	56	128	8	39	413	82	0	101	47	8	1849
04:00 PM	6	63	167	23	0	34	11	33	0	14	91	18	0	25	10	2	497
04:15 PM	2	71	163	27	1	34	15	28	2	12	127	12	0	17	9	1	521
04:30 PM	4	58	166	27	0	44	22	38	4	28	110	13	0	24	19	4	561
04:45 PM	3	70	168	31	2	38	15	22	2	9	123	17	0	26	15	1	542
Total	15	262	664	108	3	150	63	121	8	63	451	60	0	92	53	8	2121

**Alliant Engineering, Inc**

233 Park Ave Suite 300

Minneapolis, MN 55415

--TRAFFIC DATA --

CSAH-50 at Kenrick Avenue  
 Ref.Pt.: 85.508  
 data by : Alliant Inc.  
 TURN MOVEMENT COUNT

File Name : 353\_CSAH 50 & Kenrick Ave  
 Site Code : 353  
 Start Date : 11/14/2017  
 Page No : 2

Groups Printed- Vehicles - Trucks

Start Time	CSAH 50 From North				Kenrick Avenue From East				CSAH 50 From South				Kenrick Avenue From West				Int. Total
	Other	Left	Thru	Rght	Other	Left	Thru	Rght	Other	Left	Thru	Rght	Other	Left	Thru	Rght	
05:00 PM	3	66	171	15	1	47	19	38	3	11	134	23	0	23	14	1	569
05:15 PM	3	55	174	31	0	53	16	32	1	10	114	19	0	10	15	4	537
05:30 PM	4	62	162	18	1	47	23	33	3	14	93	13	0	0	13	4	490
05:45 PM	1	52	157	22	1	43	10	25	6	13	94	19	0	0	18	2	463
Total	11	235	664	86	3	190	68	128	13	48	435	74	0	33	60	11	2059
Grand Total	90	1340	3476	747	9	950	442	1389	56	432	5118	786	0	548	319	70	15772
Apprch %	1.6	23.7	61.5	13.2	0.3	34.1	15.8	49.8	0.9	6.8	80.1	12.3	0	58.5	34	7.5	
Total %	0.6	8.5	22	4.7	0.1	6	2.8	8.8	0.4	2.7	32.4	5	0	3.5	2	0.4	
Vehicles	89	1308	3346	733	9	920	432	1364	55	429	4952	768	0	537	313	69	15324
% Vehicles	98.9	97.6	96.3	98.1	100	96.8	97.7	98.2	98.2	99.3	96.8	97.7	0	98	98.1	98.6	97.2
Trucks	1	32	130	14	0	30	10	25	1	3	166	18	0	11	6	1	448
% Trucks	1.1	2.4	3.7	1.9	0	3.2	2.3	1.8	1.8	0.7	3.2	2.3	0	2	1.9	1.4	2.8

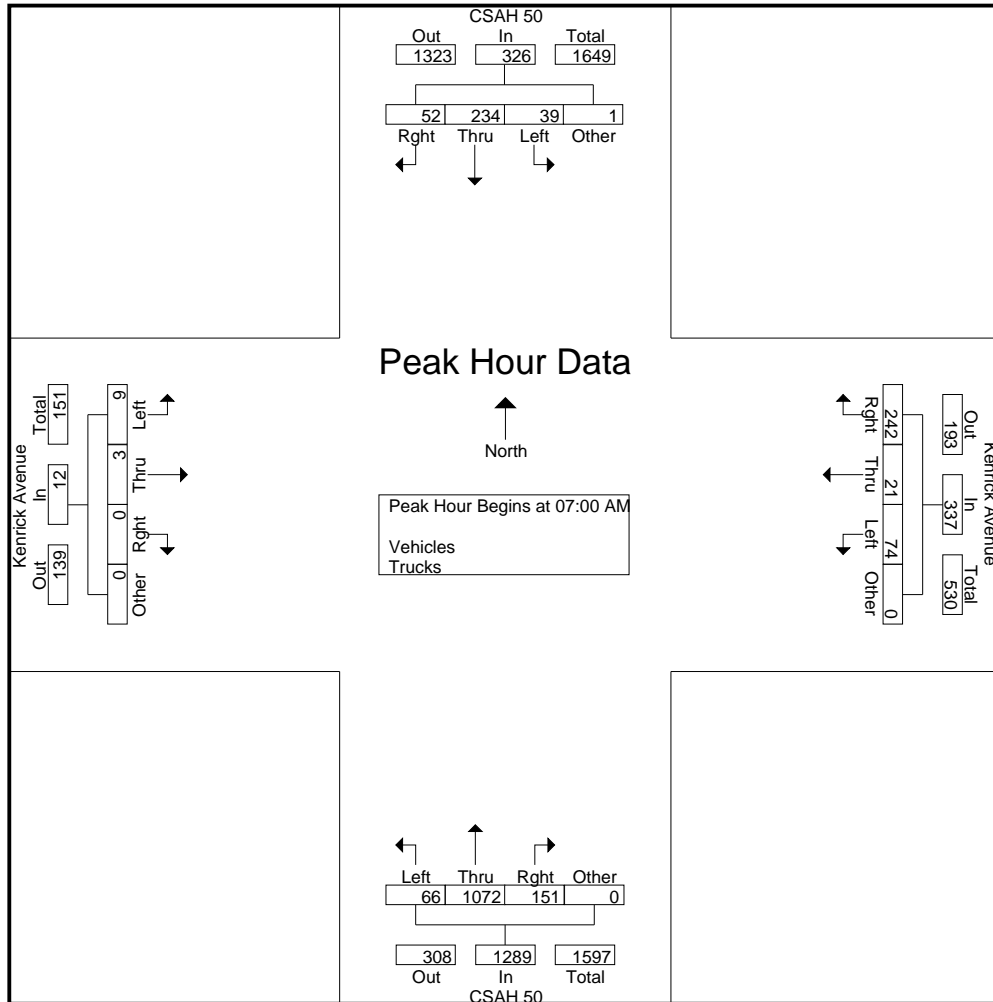
**Alliant Engineering, Inc**

233 Park Ave Suite 300  
 Minneapolis, MN 55415  
 --TRAFFIC DATA --

CSAH-50 at Kenrick Avenue  
 Ref.Pt.: 85.508  
 data by : Alliant Inc.  
 TURN MOVEMENT COUNT

File Name : 353\_CSAH 50 & Kenrick Ave  
 Site Code : 353  
 Start Date : 11/14/2017  
 Page No : 3

Start Time	CSAH 50 From North					Kenrick Avenue From East					CSAH 50 From South					Kenrick Avenue From West					Int. Total
	Other	Left	Thru	Rght	App. Total	Other	Left	Thru	Rght	App. Total	Other	Left	Thru	Rght	App. Total	Other	Left	Thru	Rght	App. Total	
Peak Hour Analysis From 06:00 AM to 11:45 AM - Peak 1 of 1																					
Peak Hour for Entire Intersection Begins at 07:00 AM																					
07:00 AM	0	7	61	6	74	0	24	2	73	99	0	6	256	34	296	0	4	0	0	4	473
07:15 AM	0	7	63	13	83	0	18	2	62	82	0	10	276	37	323	0	1	0	0	1	489
07:30 AM	0	13	53	16	82	0	16	10	53	79	0	28	271	46	345	0	0	3	0	3	509
07:45 AM	1	12	57	17	87	0	16	7	54	77	0	22	269	34	325	0	4	0	0	4	493
Total Volume	1	39	234	52	326	0	74	21	242	337	0	66	1072	151	1289	0	9	3	0	12	1964
% App. Total	0.3	12	71.8	16		0	22	6.2	71.8		0	5.1	83.2	11.7		0	75	25	0		
PHF	.250	.750	.929	.765	.937	.000	.771	.525	.829	.851	.000	.589	.971	.821	.934	.000	.563	.250	.000	.750	.965



**Alliant Engineering, Inc**

233 Park Ave Suite 300  
 Minneapolis, MN 55415  
 --TRAFFIC DATA --

CSAH-50 at Kenrick Avenue  
 Ref.Pt.: 85.508  
 data by : Alliant Inc.  
 TURN MOVEMENT COUNT

File Name : 353\_CSAH 50 & Kenrick Ave  
 Site Code : 353  
 Start Date : 11/14/2017  
 Page No : 4

Start Time	CSAH 50 From North					Kenrick Avenue From East					CSAH 50 From South					Kenrick Avenue From West					Int. Total
	Other	Left	Thru	Rght	App. Total	Other	Left	Thru	Rght	App. Total	Other	Left	Thru	Rght	App. Total	Other	Left	Thru	Rght	App. Total	
Peak Hour Analysis From 12:00 PM to 05:45 PM - Peak 1 of 1																					
Peak Hour for Entire Intersection Begins at 04:30 PM																					
04:30 PM	4	58	166	27	255	0	44	22	38	104	4	28	110	13	155	0	24	19	4	47	561
04:45 PM	3	70	168	31	272	2	38	15	22	77	2	9	123	17	151	0	26	15	1	42	542
05:00 PM	3	66	171	15	255	1	47	19	38	105	3	11	134	23	171	0	23	14	1	38	569
05:15 PM	3	55	174	31	263	0	53	16	32	101	1	10	114	19	144	0	10	15	4	29	537
Total Volume	13	249	679	104	1045	3	182	72	130	387	10	58	481	72	621	0	83	63	10	156	2209
% App. Total	1.2	23.8	65	10		0.8	47	18.6	33.6		1.6	9.3	77.5	11.6		0	53.2	40.4	6.4		
PHF	.813	.889	.976	.839	.960	.375	.858	.818	.855	.921	.625	.518	.897	.783	.908	.000	.798	.829	.625	.830	.971

