



# MINNESOTA DEPT OF TRANSPORTATION

## TRAFFIC DATA COLLECTION - METRO

Dakota Co.Rd. 46 at Kenrick Ave  
 Ref.Pt.: Lakeville  
 JAMAR # 631 / D4-3365 RE / EN  
 TURN MOVEMENT COUNT

File Name : Dakota Co.Rd.46 at Kenrick Ave 2008  
 Site Code : 00000000  
 Start Date : 7/23/2008  
 Page No : 1

### Groups Printed- Cars & Trucks

Start Time	Kenrick Ave. Southbound				Co.Rd. 46 Westbound				Kenrick Ave. Northbound				Co.Rd. 46 Eastbound				Int. Total
	Left	Thru	Right	Peds	Left	Thru	Right	Peds	Left	Thru	Right	Peds	Left	Thru	Right	Peds	
06:00	4	4	30	2	12	172	21	0	63	5	7	0	4	52	17	0	393
06:15	3	4	21	1	12	263	30	0	47	2	10	1	4	49	23	0	470
06:30	5	3	39	0	9	296	33	0	86	11	14	0	5	63	29	0	593
06:45	10	7	35	0	13	313	36	0	70	5	7	0	9	76	29	0	610
Total	22	18	125	3	46	1044	120	0	266	23	38	1	22	240	98	0	2066
07:00	8	5	25	1	20	268	18	5	84	12	6	0	9	56	22	0	539
07:15	10	5	32	0	22	263	31	1	100	7	14	0	7	91	37	0	620
07:30	11	6	20	0	27	230	26	0	76	7	17	0	11	82	26	0	539
07:45	8	5	22	0	22	227	29	0	82	9	16	1	11	96	44	0	572
Total	37	21	99	1	91	988	104	6	342	35	53	1	38	325	129	0	2270
08:00	8	7	15	0	14	196	20	0	67	10	18	0	10	80	49	0	494
08:15	7	8	16	0	21	1	31	2	61	9	19	0	7	80	41	1	304
08:30	3	12	15	0	34	243	18	0	68	6	16	0	10	117	32	0	574
08:45	7	7	14	0	31	228	19	6	63	8	20	0	8	120	63	0	594
Total	25	34	60	0	100	668	88	8	259	33	73	0	35	397	185	1	1966
*** BREAK ***																	
11:00	13	18	8	1	18	135	14	0	66	9	30	0	9	111	61	0	493
11:15	10	7	7	2	18	145	13	0	61	8	34	0	2	79	50	0	436
11:30	7	19	8	0	15	135	23	0	80	11	17	0	2	109	43	1	470
11:45	17	9	11	0	21	137	24	1	74	11	31	1	15	152	74	0	578
Total	47	53	34	3	72	552	74	1	281	39	112	1	28	451	228	1	1977
12:00	15	10	14	0	31	135	22	0	74	9	28	0	11	130	62	5	546
12:15	14	12	12	0	34	167	24	0	69	10	42	1	13	135	63	0	596
12:30	18	14	12	0	28	151	16	0	84	14	33	0	20	134	64	0	588
12:45	20	6	13	1	28	120	24	0	78	14	26	0	11	120	74	0	535
Total	67	42	51	1	121	573	86	0	305	47	129	1	55	519	263	5	2265
*** BREAK ***																	
15:00	17	23	2	1	28	144	18	0	59	13	34	0	17	184	70	0	610
15:15	25	14	2	0	27	123	23	0	74	15	32	0	18	236	86	0	675
15:30	26	14	5	2	33	170	19	0	67	16	44	0	17	204	97	1	715
15:45	24	15	8	0	36	160	20	0	57	18	33	0	26	236	111	1	745
Total	92	66	17	3	124	597	80	0	257	62	143	0	78	860	364	2	2745
16:00	41	14	4	0	29	1	24	0	79	26	41	0	24	239	120	1	643
16:15	34	14	3	0	22	133	15	0	64	21	27	2	24	248	117	2	726
16:30	24	25	6	0	22	166	24	0	74	17	39	0	26	246	92	0	761
16:45	45	18	19	1	34	198	33	0	69	14	46	0	27	281	118	0	903
Total	144	71	32	1	107	498	96	0	286	78	153	2	101	1014	447	3	3033
17:00	33	28	4	0	36	179	34	1	101	20	50	0	23	357	118	1	985
17:15	44	25	8	0	19	197	29	2	71	24	33	0	34	368	114	0	968
17:30	44	28	9	1	26	207	28	0	83	29	44	1	30	337	116	0	983
17:45	34	22	13	0	27	186	24	0	69	21	35	3	32	292	100	1	859
Total	155	103	34	1	108	769	115	3	324	94	162	4	119	1354	448	2	3795
Grand Total	589	408	452	13	769	5689	763	18	2320	411	863	10	476	5160	2162	14	20117
Apprch %	40.3	27.9	30.9	0.9	10.6	78.6	10.5	0.2	64.4	11.4	23.9	0.3	6.1	66.1	27.7	0.2	
Total %	2.9	2	2.2	0.1	3.8	28.3	3.8	0.1	11.5	2	4.3	0	2.4	25.6	10.7	0.1	



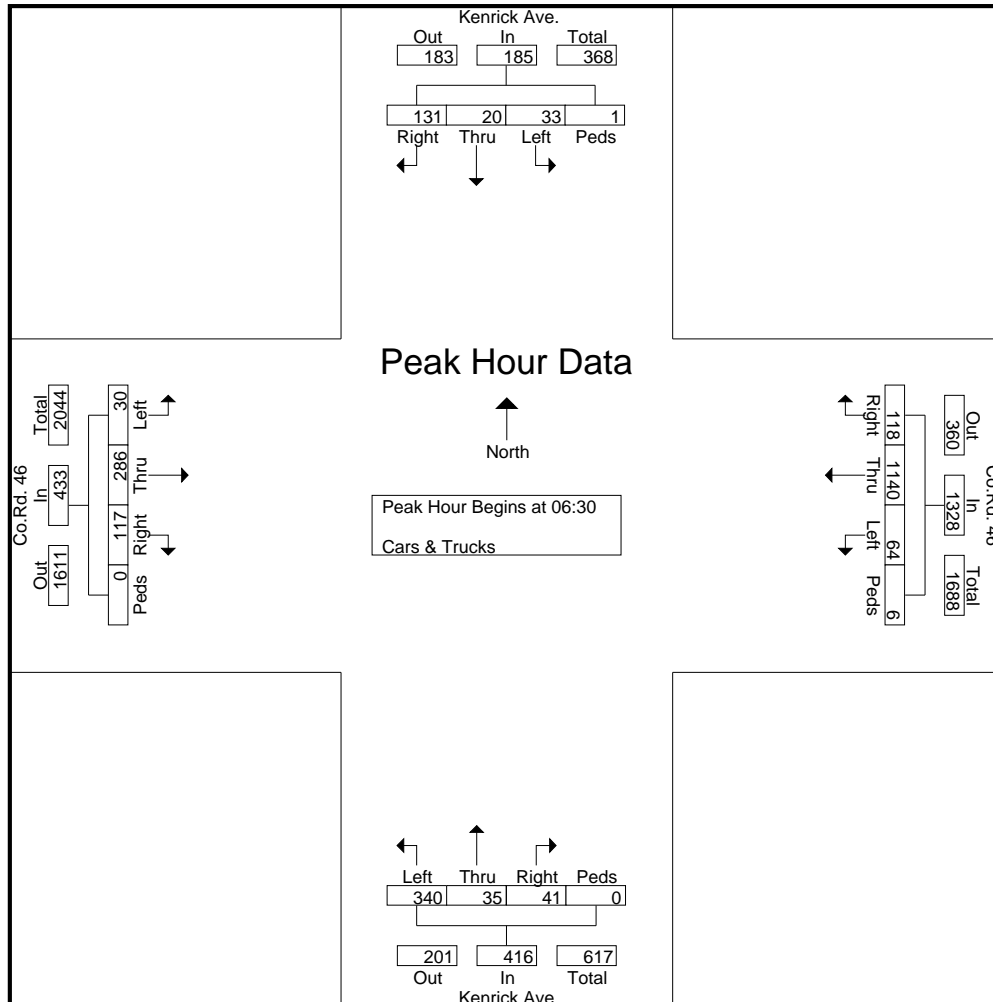
# MINNESOTA DEPT OF TRANSPORTATION

## TRAFFIC DATA COLLECTION - METRO

Dakota Co.Rd. 46 at Kenrick Ave  
 Ref.Pt.: Lakeville  
 JAMAR # 631 / D4-3365 RE / EN  
 TURN MOVEMENT COUNT

File Name : Dakota Co.Rd.46 at Kenrick Ave 2008  
 Site Code : 00000000  
 Start Date : 7/23/2008  
 Page No : 2

Start Time	Kenrick Ave. Southbound					Co.Rd. 46 Westbound					Kenrick Ave. Northbound					Co.Rd. 46 Eastbound					Int. Total
	Left	Thru	Right	Peds	App. Total	Left	Thru	Right	Peds	App. Total	Left	Thru	Right	Peds	App. Total	Left	Thru	Right	Peds	App. Total	
Peak Hour Analysis From 06:00 to 08:45 - Peak 1 of 1																					
Peak Hour for Entire Intersection Begins at 06:30																					
06:30	5	3	39	0	47	9	296	33	0	338	86	11	14	0	111	5	63	29	0	97	593
06:45	10	7	35	0	52	13	313	36	0	362	70	5	7	0	82	9	76	29	0	114	610
07:00	8	5	25	1	39	20	268	18	5	311	84	12	6	0	102	9	56	22	0	87	539
07:15	10	5	32	0	47	22	263	31	1	317	100	7	14	0	121	7	91	37	0	135	620
Total Volume	33	20	131	1	185	64	1140	118	6	1328	340	35	41	0	416	30	286	117	0	433	2362
% App. Total	17.8	10.8	70.8	0.5		4.8	85.8	8.9	0.5		81.7	8.4	9.9	0		6.9	66.1	27	0		
PHF	.825	.714	.840	.250	.889	.727	.911	.819	.300	.917	.850	.729	.732	.000	.860	.833	.786	.791	.000	.802	.952





# MINNESOTA DEPT OF TRANSPORTATION

## TRAFFIC DATA COLLECTION - METRO

Dakota Co.Rd. 46 at Kenrick Ave  
 Ref.Pt.: Lakeville  
 JAMAR # 631 / D4-3365 RE / EN  
 TURN MOVEMENT COUNT

File Name : Dakota Co.Rd.46 at Kenrick Ave 2008  
 Site Code : 00000000  
 Start Date : 7/23/2008  
 Page No : 3

Start Time	Kenrick Ave. Southbound					Co.Rd. 46 Westbound					Kenrick Ave. Northbound					Co.Rd. 46 Eastbound					Int. Total
	Left	Thru	Right	Peds	App. Total	Left	Thru	Right	Peds	App. Total	Left	Thru	Right	Peds	App. Total	Left	Thru	Right	Peds	App. Total	

Peak Hour Analysis From 15:00 to 17:45 - Peak 1 of 1

Peak Hour for Entire Intersection Begins at 16:45

16:45	45	18	19	1	83	34	198	33	0	265	69	14	46	0	129	27	281	118	0	426	903
17:00	33	28	4	0	65	36	179	34	1	250	101	20	50	0	171	23	357	118	1	499	985
17:15	44	25	8	0	77	19	197	29	2	247	71	24	33	0	128	34	368	114	0	516	968
17:30	44	28	9	1	82	26	207	28	0	261	83	29	44	1	157	30	337	116	0	483	983
Total Volume	166	99	40	2	307	115	781	124	3	1023	324	87	173	1	585	114	1343	466	1	1924	3839
% App. Total	54.1	32.2	13	0.7		11.2	76.3	12.1	0.3		55.4	14.9	29.6	0.2		5.9	69.8	24.2	0.1		
PHF	.922	.884	.526	.500	.925	.799	.943	.912	.375	.965	.802	.750	.865	.250	.855	.838	.912	.987	.250	.932	.974

