

Location: Crystal Lake Road at I-35 Southbound On Ramp  
 Count Date: 10/18/2022  
 Counted By: CountCloud



**TURNING MOVEMENT COUNT DATA**

All Vehicles

Start Time	N/A				Crystal Lake Rd				I-35 SB On Ramp				Crystal Lake Rd				Int. Total
	Southbound				Westbound				Northbound				Eastbound				
	Left	Thru	Right	Peds	Left	Thru	Right	Peds	Left	Thru	Right	Peds	Left	Thru	Right	Peds	
6:00	0	0	0	0	5	19	0	0	0	0	0	0	0	3	7	0	34
6:15	0	0	0	0	5	23	0	0	0	0	0	0	0	3	9	0	40
6:30	0	0	0	0	7	31	0	0	0	0	0	0	0	9	13	0	60
6:45	0	0	0	0	10	46	0	0	0	0	0	0	0	8	10	0	74
7:00	0	0	0	0	14	48	0	0	0	0	0	0	0	8	18	0	88
7:15	0	0	0	0	14	47	0	0	0	0	0	0	0	17	22	0	100
7:30	0	0	0	0	16	24	0	0	0	0	0	0	0	13	31	0	84
7:45	0	0	0	0	11	57	0	0	0	0	0	0	0	11	19	0	98
8:00	0	0	0	0	12	51	0	0	0	0	0	0	0	8	18	0	89
8:15	0	0	0	0	10	52	0	0	0	0	0	0	0	12	15	0	89
8:30	0	0	0	0	11	50	0	0	0	0	0	0	0	8	17	0	86
8:45	0	0	0	0	12	47	0	0	0	0	0	0	0	11	15	0	85
9:00	0	0	0	0	10	59	0	0	0	0	0	0	0	10	26	0	105
9:15	0	0	0	0	14	54	0	0	0	0	0	0	0	13	23	0	104
9:30	0	0	0	0	12	60	0	0	0	0	0	0	0	12	22	0	106
9:45	0	0	0	0	13	59	0	0	0	0	0	0	0	10	25	0	107
10:00	0	0	0	0	8	51	0	0	0	0	0	0	0	14	23	0	96
10:15	0	0	0	0	8	58	0	0	0	0	0	0	0	16	41	0	123
10:30	0	0	0	0	7	63	0	0	0	0	0	0	0	18	36	0	124
10:45	0	0	0	0	9	87	0	0	0	0	0	0	0	15	39	0	150
11:00	0	0	0	0	5	81	0	0	0	0	0	0	0	12	42	0	140
11:15	0	0	0	0	8	80	0	0	0	0	0	0	0	22	46	0	156
11:30	0	0	0	0	16	73	0	0	0	0	0	0	0	9	48	0	146
11:45	0	0	0	0	16	82	0	0	0	0	0	0	0	15	38	0	151
12:00	0	0	0	0	17	61	0	0	0	0	0	0	0	17	54	0	149
12:15	0	0	0	0	14	84	0	0	0	0	0	0	0	15	55	0	168
12:30	0	0	0	0	9	79	0	0	0	0	0	0	0	20	59	0	167
12:45	0	0	0	0	9	94	0	0	0	0	0	0	0	18	65	0	186
13:00	0	0	0	0	9	65	0	0	0	0	0	0	0	17	78	0	169
13:15	0	0	0	0	11	53	0	0	0	0	0	0	0	16	49	0	129
13:30	0	0	0	0	14	83	0	0	0	0	0	0	0	15	66	0	178
13:45	0	0	0	0	13	67	0	0	0	0	0	0	0	18	81	0	179
14:00	0	0	0	0	9	79	0	0	0	0	0	0	0	14	65	0	167
14:15	0	0	0	0	16	68	0	0	0	0	0	0	0	17	67	0	168
14:30	0	0	0	0	12	58	0	0	0	0	0	0	0	16	80	0	166
14:45	0	0	0	0	17	55	0	0	0	0	0	0	0	25	68	0	165
15:00	0	0	0	0	16	76	0	0	0	0	0	0	0	24	68	0	184
15:15	0	0	0	0	21	67	0	0	0	0	0	0	0	21	75	0	184
15:30	0	0	0	0	13	55	0	0	0	0	0	0	0	23	74	0	165
15:45	0	0	0	0	15	78	0	0	0	0	0	0	0	20	69	0	182
16:00	0	0	0	0	10	66	0	0	0	0	0	0	0	20	74	0	170
16:15	0	0	0	0	23	68	0	0	0	0	0	0	0	26	70	0	187
16:30	0	0	0	0	14	100	0	0	0	0	0	0	0	34	67	0	215
16:45	0	0	0	0	14	85	0	0	0	0	0	0	0	33	68	0	200
17:00	0	0	0	0	19	74	0	0	0	0	0	0	0	34	87	0	214
17:15	0	0	0	0	15	88	0	0	0	0	0	0	0	39	69	0	211
17:30	0	0	0	0	17	91	0	0	0	0	0	0	0	26	71	0	205
17:45	0	0	0	0	13	80	0	0	0	0	0	0	0	39	59	0	191
18:00	0	0	0	0	24	85	0	0	0	0	0	0	0	34	64	0	207
18:15	0	0	0	0	11	67	0	0	0	0	0	0	0	31	58	0	167
18:30	0	0	0	0	19	60	0	0	0	0	0	0	0	25	62	0	166
18:45	0	0	0	0	8	50	0	0	0	0	0	0	0	13	66	0	137
Total	0	0	0	0	655	3338	0	0	0	0	0	0	0	927	2491	0	7411
Cars+	0	0	0	0	651	3297	0	0	0	0	0	0	0	922	2469	0	7339
Trucks	0	0	0	0	4	41	0	0	0	0	0	0	0	5	22	0	72
% Trucks	0.0	0.0	0.0	0.0	0.6	1.2	0.0	0.0	0.0	0.0	0.0	0.0	0.0	0.5	0.9	0.0	1.0
	0.0				1.1				0.0				0.8				

Location: Crystal Lake Road at I-35 Southbound On Ramp  
 Count Date: 10/18/2022  
 Counted By: CountCloud



**TURNING MOVEMENT COUNT DATA**

**Trucks**

Start Time	N/A				Crystal Lake Rd				I-35 SB On Ramp				Crystal Lake Rd				Int. Total	
	Southbound				Westbound				Northbound				Eastbound					
	Left	Thru	Right	Bikes	Left	Thru	Right	Bikes	Left	Thru	Right	Bikes	Left	Thru	Right	Bikes		
6:00	0	0	0	0	0	0	0	0	0	0	0	0	0	0	0	0	0	0
6:15	0	0	0	0	1	0	0	0	0	0	0	0	0	0	0	0	0	1
6:30	0	0	0	0	0	1	0	0	0	0	0	0	0	0	0	0	0	1
6:45	0	0	0	0	0	1	0	0	0	0	0	0	0	0	0	0	0	1
7:00	0	0	0	0	0	0	0	0	0	0	0	0	0	0	1	0	0	1
7:15	0	0	0	0	0	3	0	0	0	0	0	0	0	0	0	0	0	3
7:30	0	0	0	0	0	0	0	0	0	0	0	0	0	0	0	0	0	0
7:45	0	0	0	0	0	1	0	0	0	0	0	0	0	0	1	0	0	2
8:00	0	0	0	0	0	0	0	0	0	0	0	0	0	0	0	0	0	0
8:15	0	0	0	0	0	0	0	0	0	0	0	0	0	1	0	0	0	1
8:30	0	0	0	0	0	1	0	0	0	0	0	0	0	0	0	0	0	1
8:45	0	0	0	0	0	0	0	0	0	0	0	0	0	1	0	0	0	1
9:00	0	0	0	0	0	4	0	0	0	0	0	0	0	0	0	0	0	4
9:15	0	0	0	0	0	1	0	0	0	0	0	0	0	0	0	0	0	1
9:30	0	0	0	0	0	0	0	0	0	0	0	0	0	0	1	0	0	1
9:45	0	0	0	0	0	1	0	0	0	0	0	0	0	0	1	0	0	2
10:00	0	0	0	0	0	1	0	0	0	0	0	0	0	0	1	0	0	2
10:15	0	0	0	0	0	1	0	0	0	0	0	0	0	0	3	0	0	4
10:30	0	0	0	0	0	3	0	0	0	0	0	0	0	0	0	0	0	3
10:45	0	0	0	0	0	2	0	0	0	0	0	0	0	0	1	0	0	3
11:00	0	0	0	0	0	2	0	0	0	0	0	0	0	0	0	0	0	2
11:15	0	0	0	0	0	1	0	0	0	0	0	0	0	1	0	0	0	2
11:30	0	0	0	0	1	0	0	0	0	0	0	0	0	0	0	0	0	1
11:45	0	0	0	0	0	1	0	0	0	0	0	0	0	0	1	0	0	2
12:00	0	0	0	0	0	1	0	0	0	0	0	0	0	0	1	0	0	2
12:15	0	0	0	0	0	2	0	0	0	0	0	0	0	0	0	0	0	2
12:30	0	0	0	0	0	1	0	0	0	0	0	0	0	0	1	0	0	2
12:45	0	0	0	0	0	1	0	0	0	0	0	0	0	0	0	0	0	1
13:00	0	0	0	0	1	1	0	0	0	0	0	0	0	0	0	0	0	2
13:15	0	0	0	0	0	0	0	0	0	0	0	0	0	0	1	0	0	1
13:30	0	0	0	0	1	1	0	0	0	0	0	0	0	0	0	0	0	2
13:45	0	0	0	0	0	0	0	0	0	0	0	0	0	0	2	0	0	2
14:00	0	0	0	0	0	1	0	0	0	0	0	0	0	0	0	0	0	1
14:15	0	0	0	0	0	2	0	0	0	0	0	0	0	1	0	0	0	3
14:30	0	0	0	0	0	1	0	0	0	0	0	0	0	0	0	0	0	1
14:45	0	0	0	0	0	1	0	0	0	0	0	0	0	0	1	0	0	2
15:00	0	0	0	0	0	0	0	0	0	0	0	0	0	0	1	0	0	1
15:15	0	0	0	0	0	1	0	0	0	0	0	0	0	0	0	0	0	1
15:30	0	0	0	0	0	1	0	0	0	0	0	0	0	0	2	0	0	3
15:45	0	0	0	0	0	0	0	0	0	0	0	0	0	0	0	0	0	0
16:00	0	0	0	0	0	0	0	0	0	0	0	0	0	0	1	0	0	1
16:15	0	0	0	0	0	1	0	0	0	0	0	0	0	1	1	0	0	3
16:30	0	0	0	0	0	0	0	0	0	0	0	0	0	0	0	0	0	0
16:45	0	0	0	0	0	0	0	0	0	0	0	0	0	0	0	0	0	0
17:00	0	0	0	0	0	1	0	0	0	0	0	0	0	0	0	0	0	1
17:15	0	0	0	0	0	0	0	0	0	0	0	0	0	0	0	0	0	0
17:30	0	0	0	0	0	1	0	0	0	0	0	0	0	0	0	0	0	1
17:45	0	0	0	0	0	0	0	0	0	0	0	0	0	0	1	0	0	1
18:00	0	0	0	0	0	0	0	0	0	0	0	0	0	0	0	0	0	0
18:15	0	0	0	0	0	0	0	0	0	0	0	0	0	0	0	0	0	0
18:30	0	0	0	0	0	0	0	0	0	0	0	0	0	0	0	0	0	0
18:45	0	0	0	0	0	0	0	0	0	0	0	0	0	0	0	0	0	0
Total	0	0	0	0	4	41	0	0	0	0	0	0	0	5	22	0	0	72

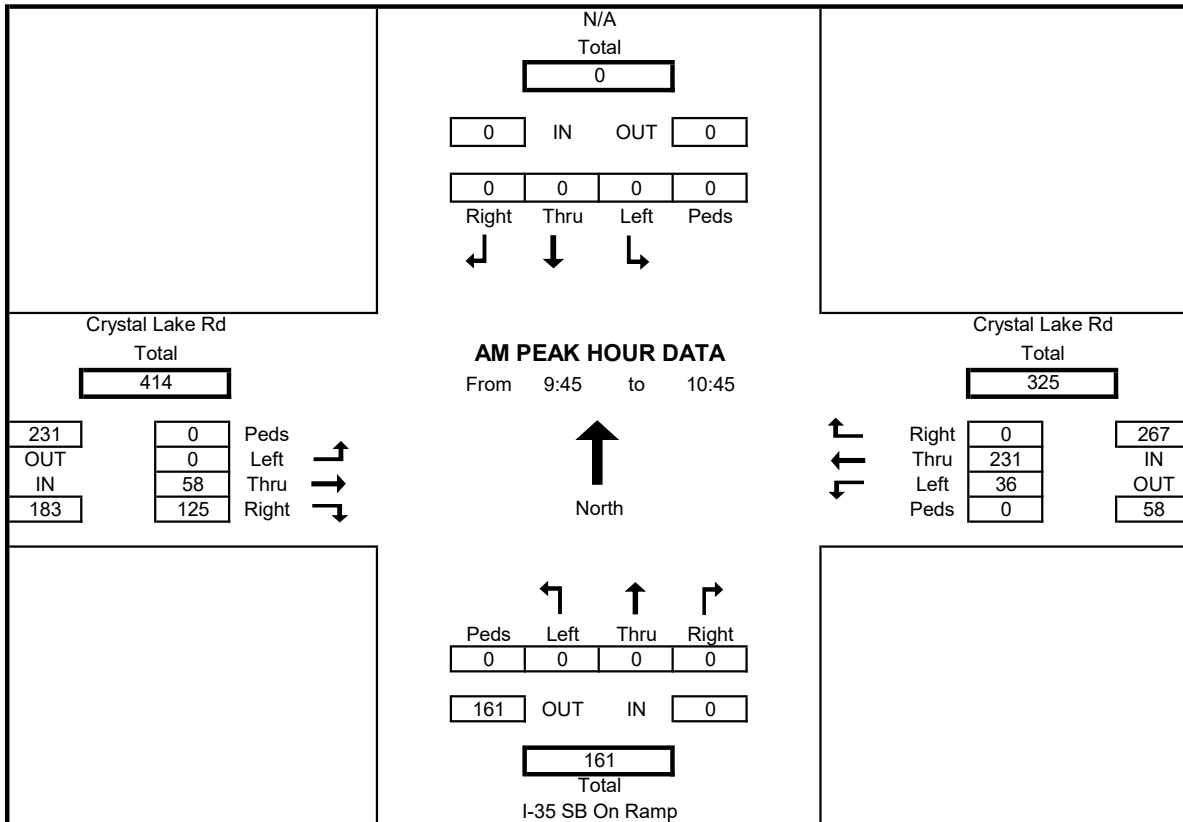
Location: Crystal Lake Road at I-35 Southbound On Ramp  
 Count Date: 10/18/2022  
 Counted By: CountCloud



### AM PEAK HOUR TURNING MOVEMENT DATA

All Vehicles

Start Time	N/A				Crystal Lake Rd				I-35 SB On Ramp				Crystal Lake Rd				Int. Total
	Southbound				Westbound				Northbound				Eastbound				
	Left	Thru	Right	Peds	Left	Thru	Right	Peds	Left	Thru	Right	Peds	Left	Thru	Right	Peds	
9:45	0	0	0	0	13	59	0	0	0	0	0	0	0	10	25	0	107
10:00	0	0	0	0	8	51	0	0	0	0	0	0	0	14	23	0	96
10:15	0	0	0	0	8	58	0	0	0	0	0	0	0	16	41	0	123
10:30	0	0	0	0	7	63	0	0	0	0	0	0	0	18	36	0	124
Total	0	0	0	0	36	231	0	0	0	0	0	0	0	58	125	0	450
% App. Total	0.0	0.0	0.0		13.5	86.5	0.0		0.0	0.0	0.0		0.0	31.7	68.3		
PHF	0.000	0.000	0.000	0.000	0.692	0.917	0.000	0.000	0.000	0.000	0.000	0.000	0.000	0.806	0.762	0.000	0.907
% Trucks	0.0	0.0	0.0	0.0	0.0	2.6	0.0	0.0	0.0	0.0	0.0	0.0	0.0	0.0	4.0	0.0	2.4
	0.0				2.2				0.0				2.7				



Location: Crystal Lake Road at I-35 Southbound On Ramp  
 Count Date: 10/18/2022  
 Counted By: CountCloud



### PM PEAK HOUR TURNING MOVEMENT DATA

All Vehicles

Start Time	N/A				Crystal Lake Rd				I-35 SB On Ramp				Crystal Lake Rd				Int. Total
	Southbound				Westbound				Northbound				Eastbound				
	Left	Thru	Right	Peds	Left	Thru	Right	Peds	Left	Thru	Right	Peds	Left	Thru	Right	Peds	
16:30	0	0	0	0	14	100	0	0	0	0	0	0	0	34	67	0	215
16:45	0	0	0	0	14	85	0	0	0	0	0	0	0	33	68	0	200
17:00	0	0	0	0	19	74	0	0	0	0	0	0	0	34	87	0	214
17:15	0	0	0	0	15	88	0	0	0	0	0	0	0	39	69	0	211
Total	0	0	0	0	62	347	0	0	0	0	0	0	0	140	291	0	840
% App. Total	0.0	0.0	0.0		15.2	84.8	0.0		0.0	0.0	0.0		0.0	32.5	67.5		
PHF	0.000	0.000	0.000	0.000	0.816	0.868	0.000	0.000	0.000	0.000	0.000	0.000	0.000	0.897	0.836	0.000	0.977

% Trucks	N/A				Crystal Lake Rd				I-35 SB On Ramp				Crystal Lake Rd				Total
	Left	Thru	Right	Peds	Left	Thru	Right	Peds	Left	Thru	Right	Peds	Left	Thru	Right	Peds	
	0.0	0.0	0.0	0.0	0.0	0.3	0.0	0.0	0.0	0.0	0.0	0.0	0.0	0.0	0.0	0.0	0.1
	0.0				0.2				0.0				0.0				

