



# MINNESOTA DEPT OF TRANSPORTATION

TRAFFIC COLLECTION - METRO

I-35 AT TH-97 , WEST RAMPS  
 REF.PT: 129 +OO.388  
 JAMAR#632\DR  
 TURN MOVEMENT COUNT

File Name : I-35 AT TH-97 WEST RAMPS 2006  
 Site Code : 00000000  
 Start Date : 10/18/2006  
 Page No : 1

Groups Printed- Cars & Trucks

Start Time	RAMP FROM I-35 SB Southbound				TH-97 Westbound				RAMP TO I-35 SB Northbound				TH-97 Eastbound				Int. Total
	Left	Thru	Right	Peds	Left	Thru	Right	Peds	Left	Thru	Right	Peds	Left	Thru	Right	Peds	
06:00	20	0	61	0	234	38	0	0	0	0	0	0	0	20	49	0	422
06:15	27	1	49	0	213	56	0	0	0	0	0	0	0	22	42	0	410
06:30	21	0	48	0	217	43	0	0	0	0	0	0	0	25	44	0	398
06:45	20	0	55	0	218	48	0	0	0	0	0	0	0	19	44	0	404
Total	88	1	213	0	882	185	0	0	0	0	0	0	0	86	179	0	1634
07:00	24	0	50	0	223	56	0	0	0	0	0	0	0	45	46	0	444
07:15	33	0	40	0	195	31	0	0	0	0	0	0	0	86	38	0	423
07:30	32	0	40	0	190	49	0	0	0	0	0	0	0	67	45	0	423
07:45	34	0	52	0	187	59	0	0	0	0	0	0	0	80	39	0	451
Total	123	0	182	0	795	195	0	0	0	0	0	0	0	278	168	0	1741
08:00	20	0	31	0	178	35	0	0	0	0	0	0	0	34	33	0	331
08:15	27	0	43	0	173	47	0	0	0	0	0	0	0	32	38	0	360
08:30	10	1	20	0	141	40	0	0	0	0	0	0	0	40	27	0	279
08:45	24	0	28	0	112	51	0	0	0	0	0	0	0	31	24	0	270
Total	81	1	122	0	604	173	0	0	0	0	0	0	0	137	122	0	1240
15:00	24	0	35	0	53	64	0	0	0	0	0	0	0	57	15	0	248
15:15	4	0	29	0	89	69	0	0	0	0	0	0	0	90	21	0	302
15:30	18	0	33	0	68	71	0	0	0	0	0	0	0	88	14	0	292
15:45	19	0	39	0	63	98	0	0	0	0	0	0	0	92	13	0	324
Total	65	0	136	0	273	302	0	0	0	0	0	0	0	327	63	0	1166
16:00	22	0	30	0	81	67	0	0	0	0	0	0	0	117	15	0	332
16:15	34	0	44	0	76	76	0	0	0	0	0	0	0	110	13	0	353
16:30	15	0	32	1	95	81	0	0	0	0	0	0	0	129	24	0	377
16:45	17	0	45	0	76	89	0	0	0	0	0	0	0	137	17	0	381
Total	88	0	151	1	328	313	0	0	0	0	0	0	0	493	69	0	1443
17:00	24	0	53	0	93	77	3	0	0	0	0	0	0	117	22	0	389
17:15	30	0	43	0	114	84	0	0	0	0	0	0	0	108	29	0	408
17:30	22	0	36	0	90	105	0	0	0	0	0	0	0	115	17	0	385
17:45	14	0	28	0	79	72	0	0	0	0	0	0	0	146	20	0	359
Total	90	0	160	0	376	338	3	0	0	0	0	0	0	486	88	0	1541
Grand Total	535	2	964	1	3258	1506	3	0	0	0	0	0	0	1807	689	0	8765
Apprch %	35.6	0.1	64.2	0.1	68.3	31.6	0.1	0	0	0	0	0	0	72.4	27.6	0	
Total %	6.1	0	11	0	37.2	17.2	0	0	0	0	0	0	0	20.6	7.9	0	



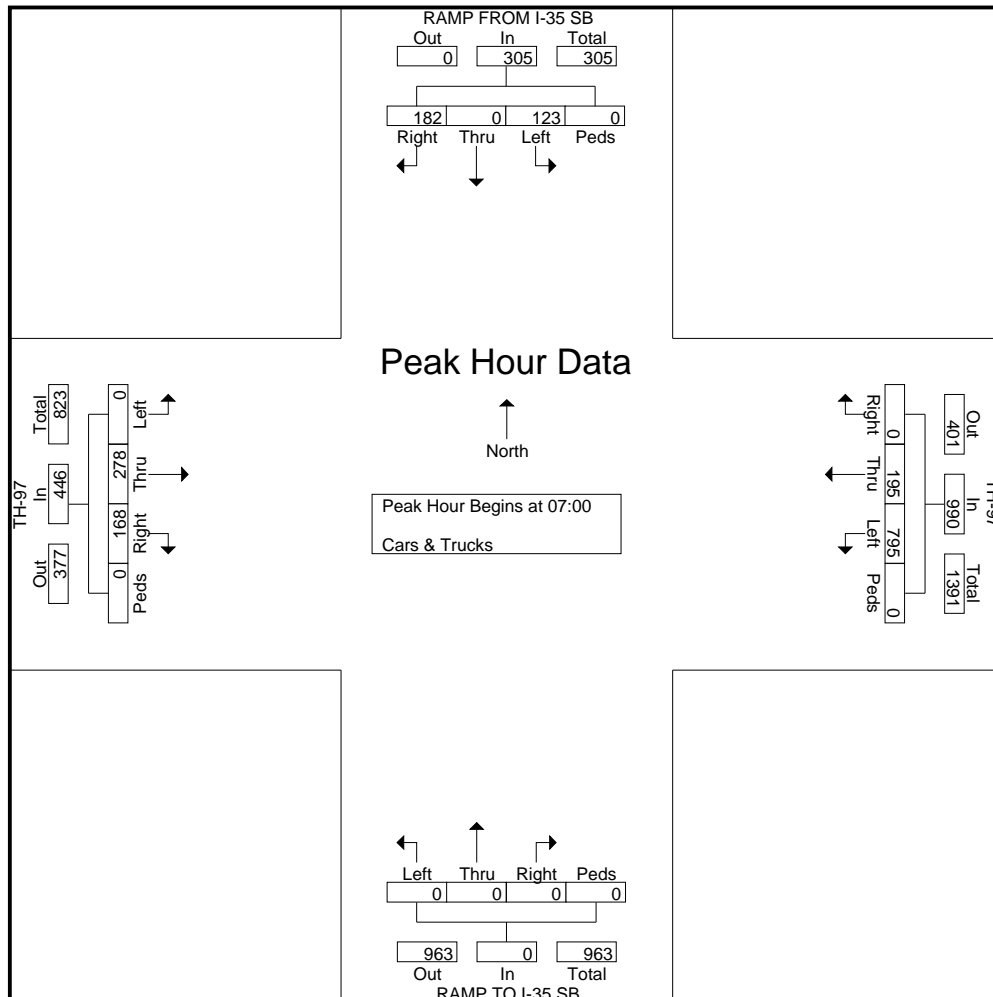
# MINNESOTA DEPT OF TRANSPORTATION

TRAFFIC COLLECTION - METRO

I-35 AT TH-97 , WEST RAMPS  
 REF.PT: 129 +OO.388  
 JAMAR#632\DR  
 TURN MOVEMENT COUNT

File Name : I-35 AT TH-97 WEST RAMPS 2006  
 Site Code : 00000000  
 Start Date : 10/18/2006  
 Page No : 2

Start Time	RAMP FROM I-35 SB Southbound					TH-97 Westbound					RAMP TO I-35 SB Northbound					TH-97 Eastbound					Int. Total
	Left	Thru	Right	Peds	App. Total	Left	Thru	Right	Peds	App. Total	Left	Thru	Right	Peds	App. Total	Left	Thru	Right	Peds	App. Total	
Peak Hour Analysis From 06:00 to 08:45 - Peak 1 of 1																					
Peak Hour for Entire Intersection Begins at 07:00																					
07:00	24	0	50	0	74	223	56	0	0	279	0	0	0	0	0	0	45	46	0	91	444
07:15	33	0	40	0	73	195	31	0	0	226	0	0	0	0	0	0	86	38	0	124	423
07:30	32	0	40	0	72	190	49	0	0	239	0	0	0	0	0	0	67	45	0	112	423
07:45	34	0	52	0	86	187	59	0	0	246	0	0	0	0	0	0	80	39	0	119	451
Total Volume	123	0	182	0	305	795	195	0	0	990	0	0	0	0	0	0	278	168	0	446	1741
% App. Total	40.3	0	59.7	0		80.3	19.7	0	0		0	0	0	0	0	0	62.3	37.7	0		
PHF	.904	.000	.875	.000	.887	.891	.826	.000	.000	.887	.000	.000	.000	.000	.000	.000	.808	.913	.000	.899	.965





# MINNESOTA DEPT OF TRANSPORTATION

TRAFFIC COLLECTION - METRO

I-35 AT TH-97 , WEST RAMPS  
 REF.PT: 129 +OO.388  
 JAMAR#632\DR  
 TURN MOVEMENT COUNT

File Name : I-35 AT TH-97 WEST RAMPS 2006  
 Site Code : 00000000  
 Start Date : 10/18/2006  
 Page No : 3

Start Time	RAMP FROM I-35 SB Southbound					TH-97 Westbound					RAMP TO I-35 SB Northbound					TH-97 Eastbound					Int. Total
	Left	Thru	Right	Peds	App. Total	Left	Thru	Right	Peds	App. Total	Left	Thru	Right	Peds	App. Total	Left	Thru	Right	Peds	App. Total	
Peak Hour Analysis From 15:00 to 17:45 - Peak 1 of 1																					
Peak Hour for Entire Intersection Begins at 16:45																					
16:45	17	0	45	0	62	76	89	0	0	165	0	0	0	0	0	0	137	17	0	154	381
17:00	24	0	53	0	77	93	77	3	0	173	0	0	0	0	0	0	117	22	0	139	389
17:15	30	0	43	0	73	114	84	0	0	198	0	0	0	0	0	0	108	29	0	137	408
17:30	22	0	36	0	58	90	105	0	0	195	0	0	0	0	0	0	115	17	0	132	385
Total Volume	93	0	177	0	270	373	355	3	0	731	0	0	0	0	0	0	477	85	0	562	1563
% App. Total	34.4	0	65.6	0		51	48.6	0.4	0		0	0	0	0	0	0	84.9	15.1	0		
PHF	.775	.000	.835	.000	.877	.818	.845	.250	.000	.923	.000	.000	.000	.000	.000	.000	.870	.733	.000	.912	.958

